

PRELIMINARY - July 25, 2000

TEL:805-498-2111 FAX:805-498-3804 WEB:http://www.semtech.com

## DESCRIPTION

The SC1537 is designed to maintain a glitch-free 3.3V output when at least one of two inputs, 5V (VIN) and 3.3V (VAUX), is present.

Whenever VIN exceeds a predetermined threshold value, the internal 3.3V linear regulator is enabled, and DR is pulled high.

When VIN falls below a lower threshold value, DR is pulled low and the internal linear regulator is turned off. DR has been designed to drive the gate of an external low threshold P-channel MOSFET, which can be used to connect the 3.3V supply directly to the regulator output. This ensures an uninterrupted 3.3V output even if VIN falls out of specification. A maximum  $R_{DS(ON)}$  of 100m $\Omega$  is recommended.

When both supplies are simultaneously available, the drive pin (DR) will be pulled High, turning off the external PMOS switch.

The internal 5V detector has its upper threshold (for VIN rising) set to 4.22V (typical) while the lower threshold (for VIN falling) is at 4.05V (typical) giving a hysteresis of approximately 170mV.

The SC1537 is available in the popular SO-8 and 5-lead TO-263 surface mount packages.

## FEATURES

- Glitch-free transition between input sources
- Internal logic selects input source
- Gate drive for external PMOS bypass switch
- 5V detector with hysteresis
- 1% regulated output voltage accuracy
- 700mA load current capability
- SO-8 and TO-263 packages

## APPLICATIONS

- Desktop Computers
- Network Interface Cards (NICs)
- PCMCIA/PCI Interface Cards
- Cardbus™ Technology
- Power supplies with multiple input sources

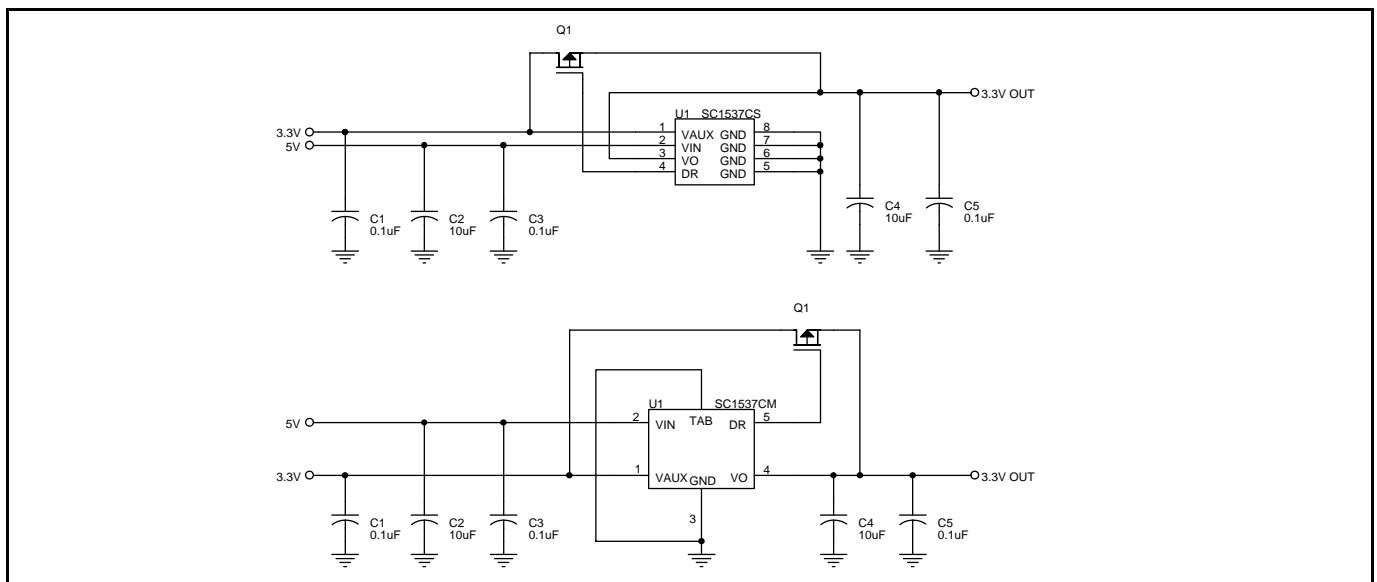
## ORDERING INFORMATION

Part Number <sup>(1)</sup>	Package
SC1537CSTR	SO-8
SC1537CMTR	TO-263-5L

Note:

(1) Only available in tape and reel packaging. A reel contains 2500 devices for SO-8 and 800 devices for TO-263.

## APPLICATION CIRCUIT



### NOTE:

(1) External switch (Q1): use a low threshold P-channel MOSFET such as Vishay Si2305DS ( $R_{DS(ON)} < 71m\Omega$  at  $V_{GS} = 2.5V$ ) or International Rectifier IRLML6401 ( $R_{DS(ON)} < 85m\Omega$  at  $V_{GS} = 2.5V$ ), or equivalent.

PRELIMINARY - July 25, 2000

**ABSOLUTE MAXIMUM RATINGS**

Parameter	Symbol	Maximum	Units
Input Supply Voltage	V <sub>IN</sub>	-0.5 to +7	V
Auxiliary Supply Voltage	VAUX	-0.5 to +7	V
LDO Output Current	I <sub>O</sub>	10 to 700	mA
Operating Ambient Temperature Range	T <sub>A</sub>	0 to +70	°C
Operating Junction Temperature Range	T <sub>J</sub>	0 to +125	°C
Storage Temperature Range	T <sub>STG</sub>	-65 to +150	°C
Lead Temperature (Soldering) 10 Sec	T <sub>LEAD</sub>	300	°C
Thermal Impedance Junction to Ambient SO-8 <sup>(1)</sup> TO-263	θ <sub>JA</sub>	65 60	°C/W
Thermal Impedance Junction to Case SO-8 TO-263	θ <sub>JC</sub>	39 3	°C/W
ESD Rating (Human Body Model)	ESD	2	kV

Note:

(1) 1 inch square of 1/16" FR-4, double sided, 1 oz. minimum copper weight.

**ELECTRICAL CHARACTERISTICS**

 Unless specified, T<sub>A</sub> = 25°C, V<sub>IN</sub> = 5V, VAUX = 3.3V, I<sub>O</sub> = 700mA, C<sub>O</sub> = 10µF. Values in **bold** apply over full operating temperature range.

Parameter	Symbol	Test Conditions	MIN	TYP	MAX	Units
<b>VIN</b>						
Supply Voltage	V <sub>IN</sub>	VAUX = 0V	<b>4.75</b>	<b>5.00</b>	<b>5.25</b>	V
Quiescent Current	I <sub>Q</sub>	VIN = 5V, VAUX = 0V, I <sub>O</sub> = 0mA		9.0	14.0	mA
				<b>16.0</b>		
Reverse Leakage From VAUX	I <sub>VIN</sub>	VAUX = 3.6V, VIN = 0V, I <sub>O</sub> = 0mA		13.0	17.0	mA
					<b>18.0</b>	
<b>VAUX</b>						
Supply Voltage	VAUX		<b>3.0</b>	<b>3.3</b>	<b>3.6</b>	V
Quiescent Current	I <sub>Q(AUX)</sub>	VAUX = 3.3V, VIN = 0V, I <sub>O</sub> = 0mA		8.0	11.0	mA
				<b>13.0</b>		
		VAUX = 3.3V, VIN = 5V, I <sub>O</sub> = 0mA		1.5	2.5	mA
					<b>3.0</b>	

PRELIMINARY - July 25, 2000

**ELECTRICAL CHARACTERISTICS**

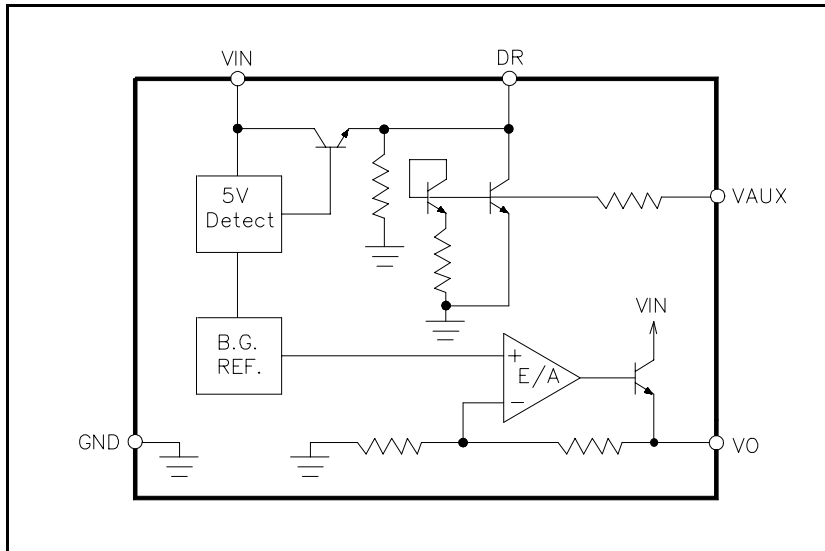
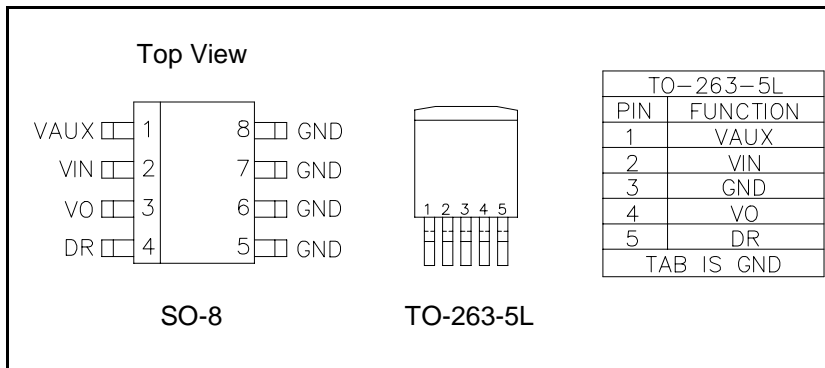
 Unless specified,  $T_A = 25^\circ\text{C}$ ,  $V_{IN} = 5\text{V}$ ,  $V_{AUX} = 3.3\text{V}$ ,  $I_O = 700\text{mA}$ ,  $C_O = 10\mu\text{F}$ . Values in **bold** apply over full operating temperature range.

Parameter	Symbol	Test Conditions	MIN	TYP	MAX	Unit
<b>VAUX (Cont.)</b>						
Reverse Leakage From VIN	$I_{VAUX}$	$V_{IN} = 5.5\text{V}$ , $V_{AUX} = 0\text{V}$ , $I_O = 0\text{mA}$		-5.0	-50.0	$\mu\text{A}$
					<b>-100.0</b>	
<b>5V Detect<sup>(1)(2)(3)</sup></b>						
Low Threshold Voltage	$V_{TH(LO)}$	VIN Falling, $I_O = 20\text{mA}$	3.92	4.05	4.18	V
			<b>3.90</b>		<b>4.20</b>	
Hysteresis	$V_{HYST}$		90	170		mV
			<b>80</b>			
High Threshold Voltage	$V_{TH(HI)}$	VIN Rising, $I_O = 20\text{mA}$			<b>4.35</b>	V
<b>VO</b>						
LDO Output Voltage	$V_O$	$I_O = 20\text{mA}$	3.267	3.300	3.333	V
		$4.75\text{V} \leq V_{IN} \leq 5.25\text{V}$ , $0\text{mA} \leq I_O \leq 700\text{mA}$	<b>3.234</b>		<b>3.366</b>	
Output Current	$I_O$				<b>400</b>	mA
Line Regulation	$REG_{(LINE)}$	$V_{IN} = 4.75\text{V}$ to $5.25\text{V}$		0.20	0.60	%
					<b>0.80</b>	
Load Regulation	$REG_{(LOAD)}$	$I_O = 10\text{mA}$ to $700\text{mA}$		0.6	1.0	%
					<b>1.2</b>	
<b>Drive Output</b>						
Drive Voltage	$V_{DR}$	$4.75\text{V} \leq V_{IN} \leq 5.25\text{V}$ , $I_{DR} = 200\mu\text{A}$	3.4	$V_{IN} - 0.8$		V
			<b>3.3</b>			
		$V_{IN} < V_{TH(LO)}$ , $I_{DR} = -200\mu\text{A}$		35	150	mV
					<b>250</b>	
Peak Drive Current	$I_{DR(PK)}$	Sinking: $V_{IN} = 3.9\text{V}$ , $V_{DR} = 1\text{V}$ ; Sourcing: $V_{IN} = 4.35\text{V}$ , $V_{IN} - V_{DR} = 2.5\text{V}$	7			mA
			<b>6</b>			
Drive High Delay <sup>(1)(4)</sup>	$t_{DH}$	$C_{DR} = 1.2\text{nF}$ , VIN ramping up, measured from $V_{IN} = V_{TH(HI)}$ to $V_{DR} = 2\text{V}$		0.5	1.0	$\mu\text{s}$
					<b>2.0</b>	
Drive Low Delay <sup>(1)(4)</sup>	$t_{DL}$	$C_{DR} = 1.2\text{nF}$ , VIN ramping down, measured from $V_{IN} = V_{TH(LO)}$ to $V_{DR} = 2\text{V}$		0.5	1.0	$\mu\text{s}$
					<b>2.0</b>	

**NOTES:**

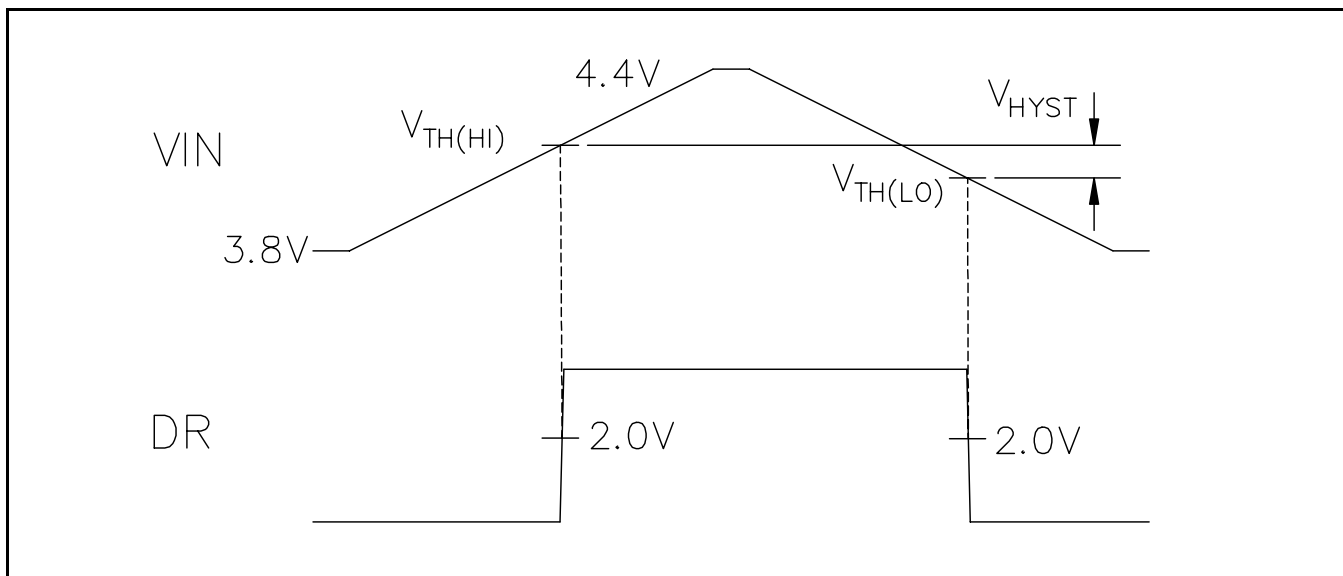
- (1) Guaranteed by design.
- (2) See 5V Detect Thresholds on page 5.
- (3) Recommended source impedance for 5V supply:  $\leq 0.07\Omega$ . This will ensure that  $I_O \times R_{SOURCE} < V_{HYST}$ , thus avoiding DR toggling during 5V detect threshold transitions.
- (4) See Timing Diagram on page 5.

PRELIMINARY - July 25, 2000

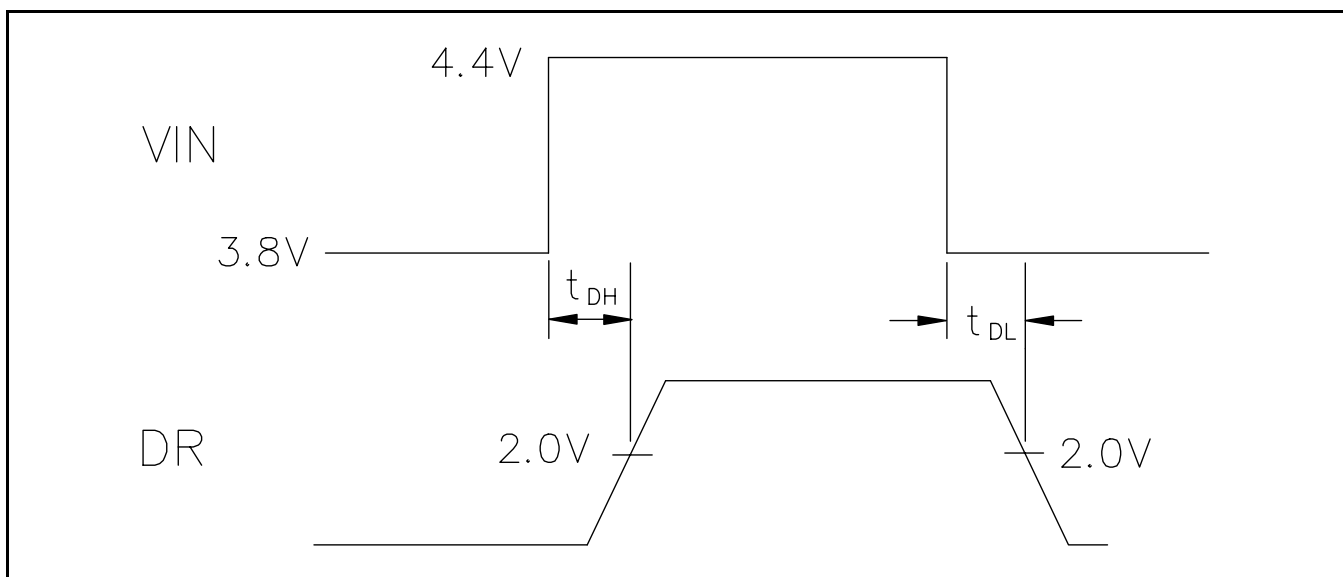
**BLOCK DIAGRAM**

**PIN CONFIGURATION**

**PIN DESCRIPTION**

Pin Name	SO-8 Pin #	TO-263-5L Pin #	Pin Function
DR	4	5	Driver output for external P-channel MOSFET pass element.
GND	5,6,7,8	3/TAB	Logic and power ground.
VAUX	1	1	This is the auxiliary input supply, nominally 3.3V.
VIN	2	2	This is the main input supply for the IC, nominally 5V.
VO	3	4	LDO 3.3V output.

PRELIMINARY - July 25, 2000

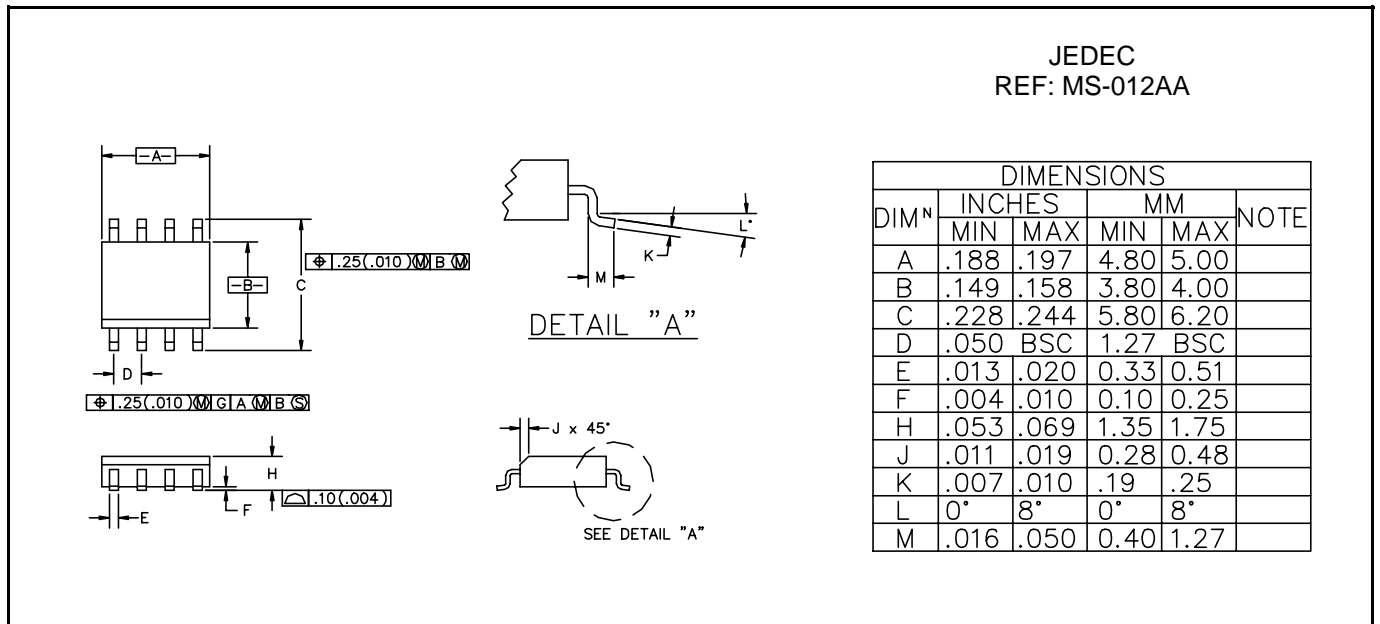
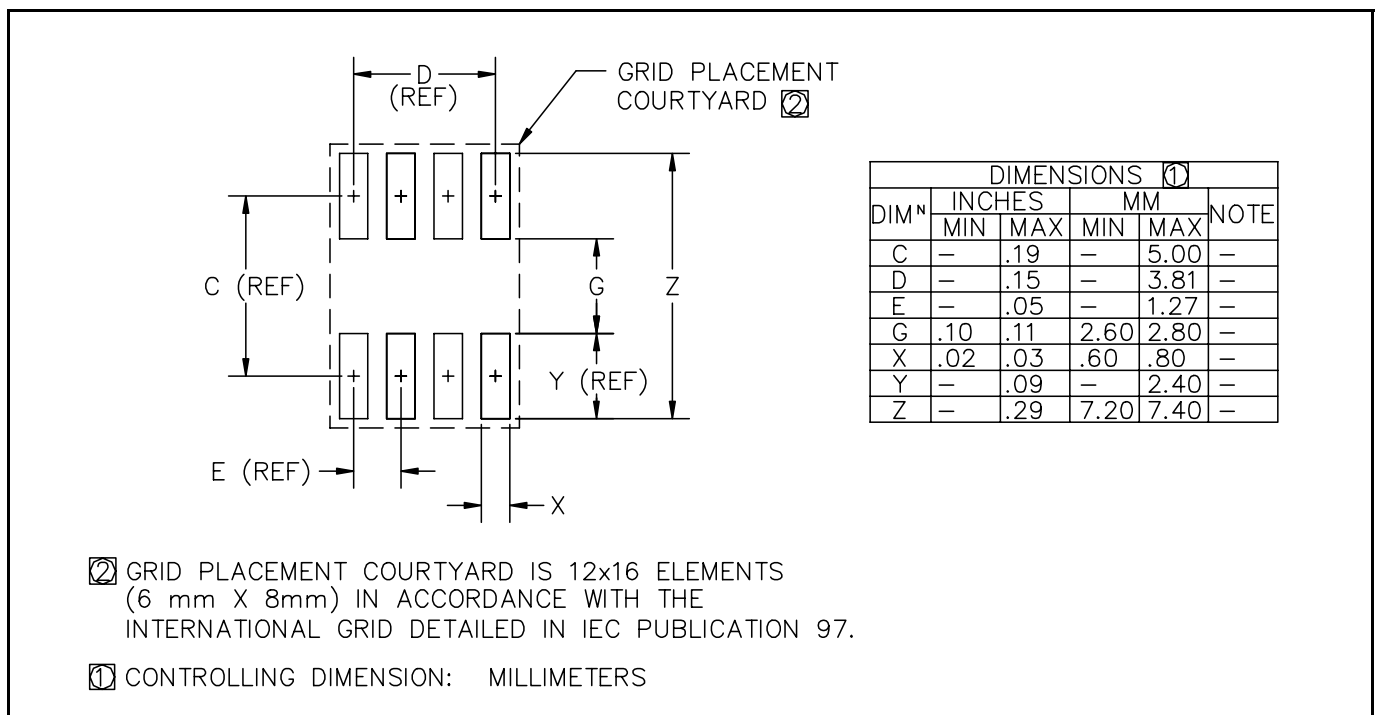
**5V DETECT THRESHOLDS**

**NOTE:**

 (1) VIN rise and fall times (10% to 90%) to be  $\geq 100\mu s$ .

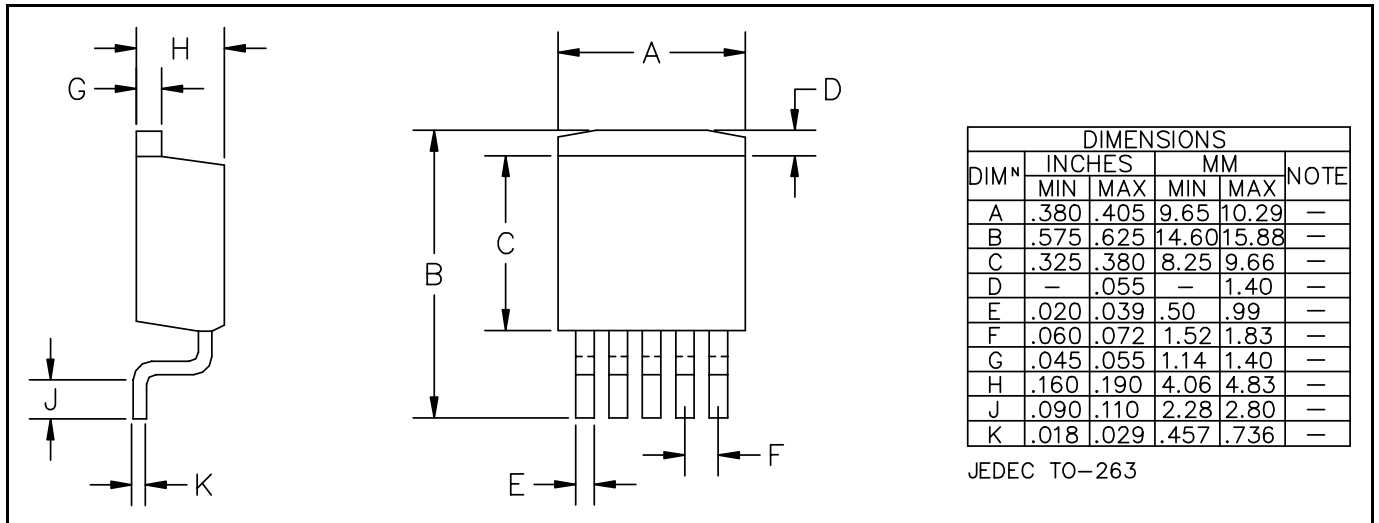
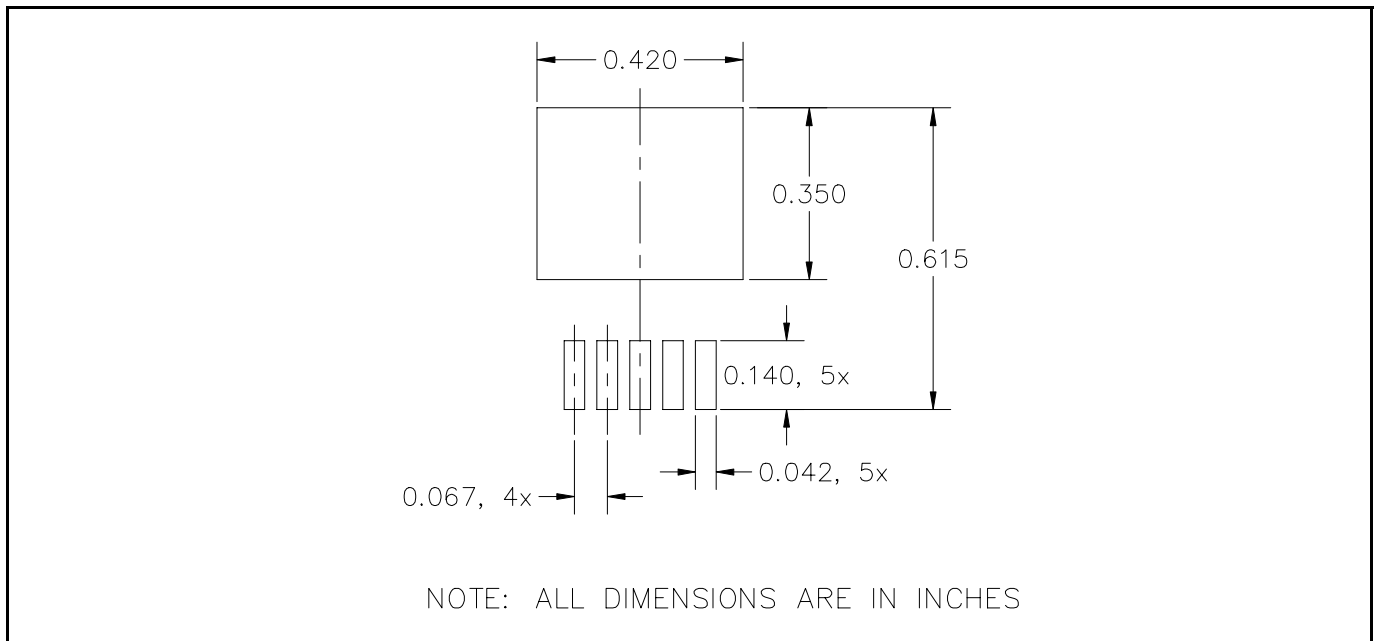
**TIMING DIAGRAM**

**NOTE:**

 (1) VIN rise and fall times (10% to 90%) to be  $\leq 100ns$ .

PRELIMINARY - July 25, 2000

**OUTLINE DRAWING - SO-8**

**MINIMUM LAND PATTERN - SO-8**


PRELIMINARY - July 25, 2000

**DEVICE OUTLINE - TO-263, 5 PIN**

**MINIMUM LAND PATTERN - TO-263, 5 PIN**


ECN00-1177