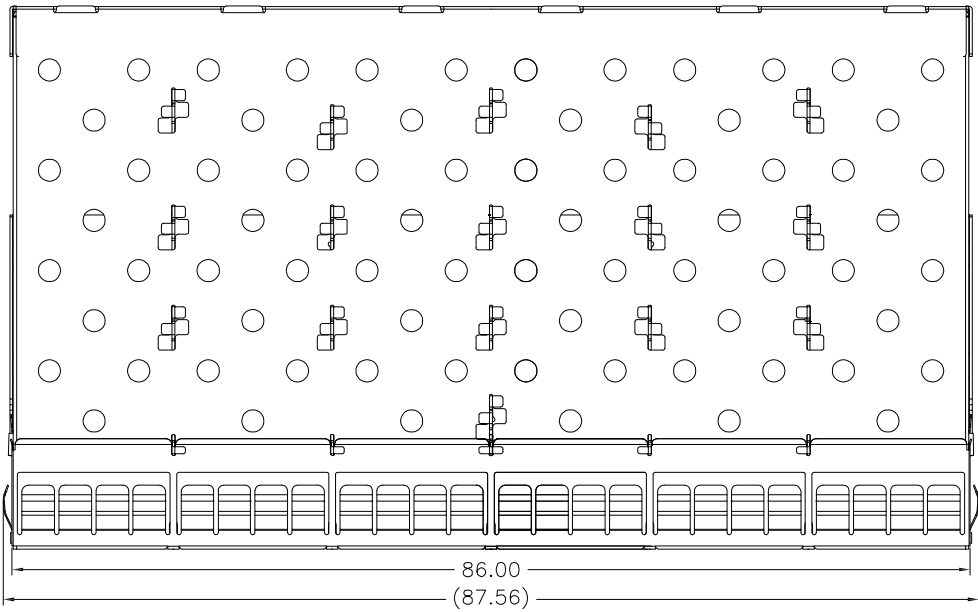
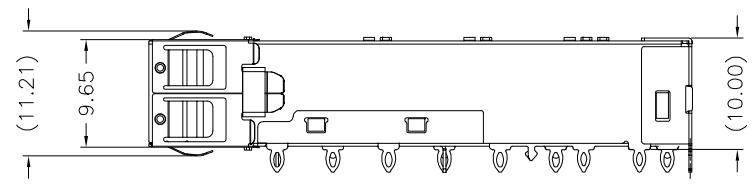
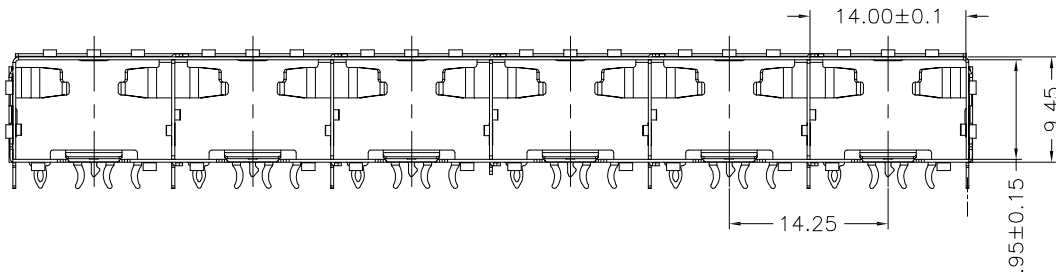


REV.	ECN. NO.	NAME	DATE


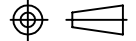


NOTES:

- 1.MATERIAL: NICKEL SILVER, THICKNESS 0.25mm
- 2.PACKAGING: TRAY PACKAGING
- 3.TEMPERATURE:
 OPERATION : -40°C TO +85°C
 STORAGE : -55°C TO +105°C

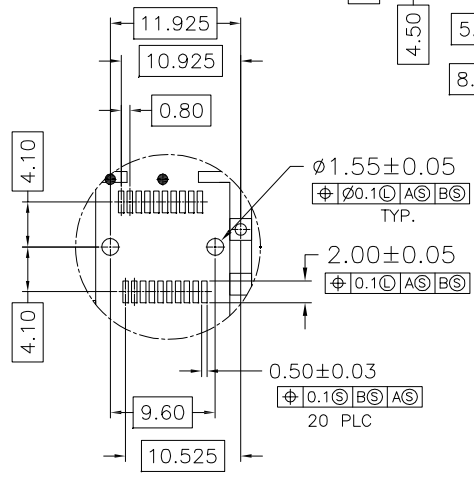
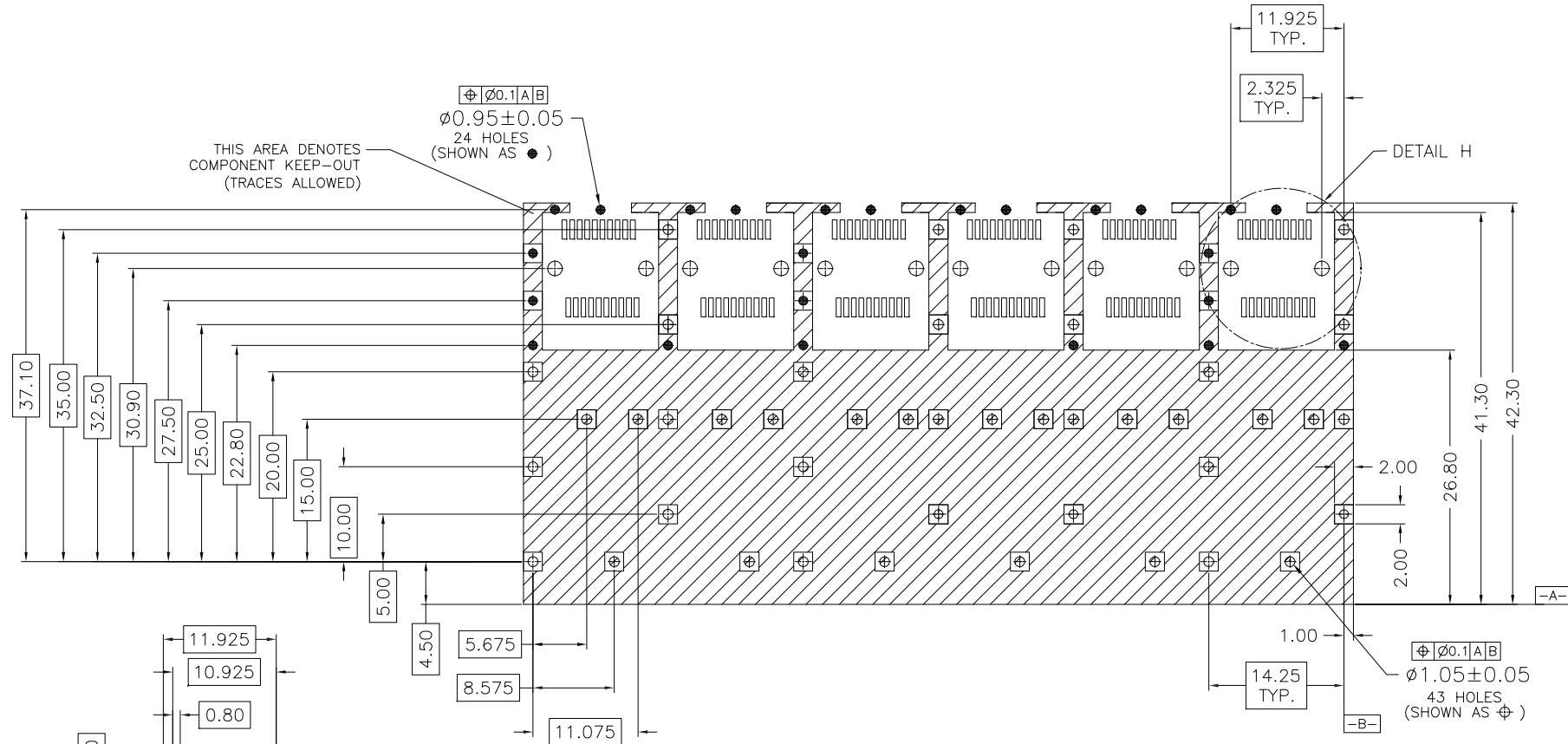


RoHS Compliant

TOLERANCE UNSPECIFIED		 VITALCON a vital connector company		FOR YOUR VITAL CONNECTION			
.0	± 0.38						
.00	± 0.25	TITLE: SFP+1*6 CAGE					
.000	± 0.10						
ANGLE	± 3.00°	DRAWN BY:	BECKER	PART NO:	SC16B	REV: A	
MANUFACTURING COPY		CHECKED BY:	VTA	SIZE: A4	UNIT: mm	SHEET: 10F4	FCN: A4
		APPROVED BY:	QPF	PROJECTION		http://www.vitalconn.com	

REV.	ECN. NO.	NAME	DATE

A
B
C
D
E
F



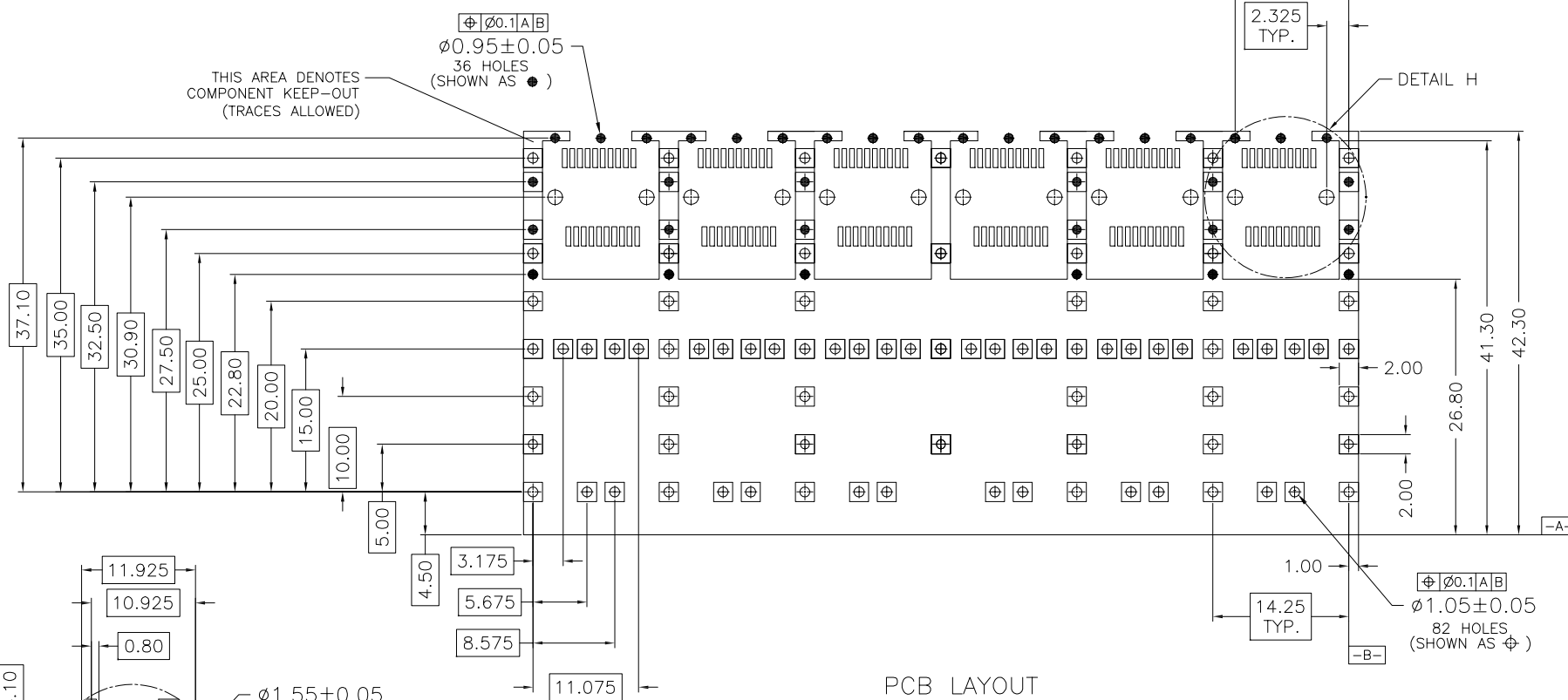
PCB LAYOUT FOR SINGLE SIDE MOUNTING

RoHS Compliant

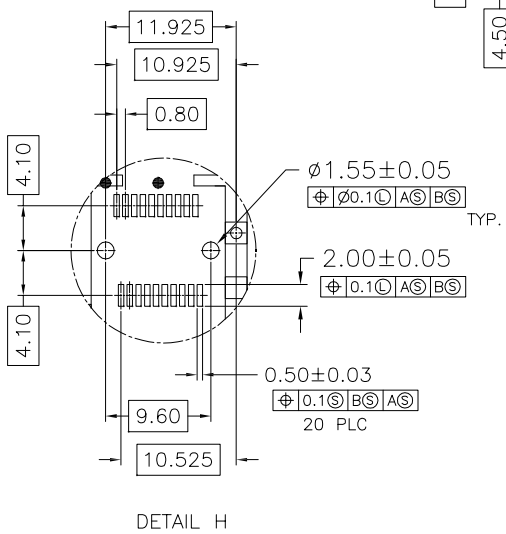
TOLERANCE UNSPECIFIED		 a vital connector company		FOR YOUR VITAL CONNECTION	
.0	± 0.38				
.00	± 0.25	TITLE: SFP+1*6 CAGE			
.000	± 0.10	DRAWN BY: BECKER	PART NO: SC16B	REV: A	
ANGLE	± 3.00°	CHECKED BY: VTA	SIZE: A4	UNIT: mm	SHEET: 20F4
MANUFACTURING COPY		APPROVED BY: QPF	PROJECTION	 http://www.vitalconn.com	

1 2 3 4 5 6 7 8

REV.	ECN. NO.	NAME	DATE



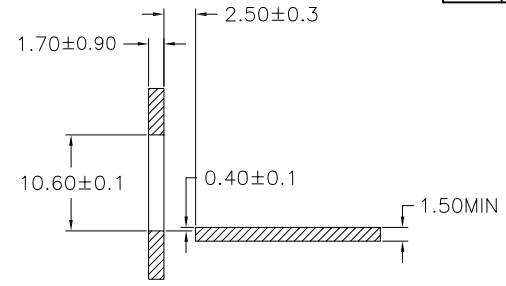
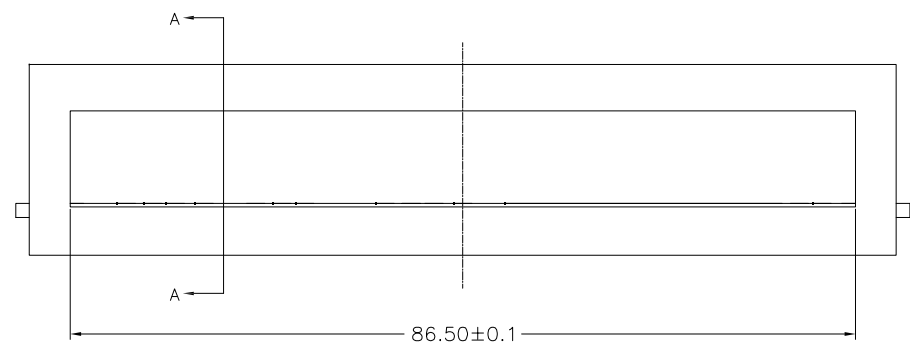
PCB LAYOUT
FOR BELLY TO BELLY MOUNTING



RoHS Compliant

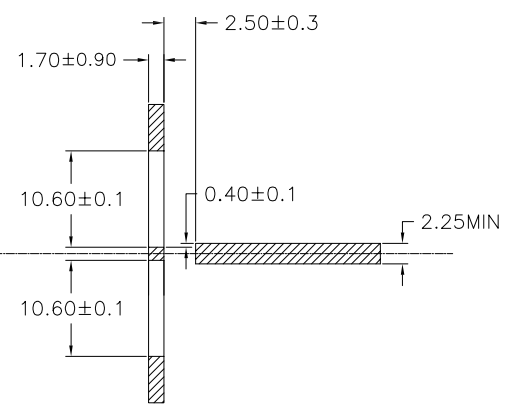
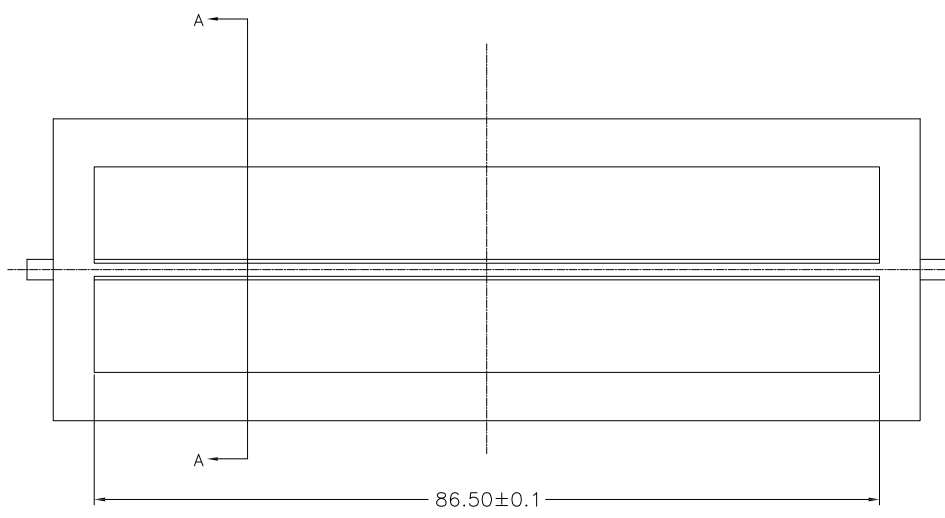
TOLERANCE UNSPECIFIED		 a vital connector company		FOR YOUR VITAL CONNECTION	
.0	± 0.38				
.00	± 0.25	TITLE: SFP+1*6 CAGE			
.000	± 0.10	DRAWN BY: BECKER	PART NO: SC16B	REV: A	
ANGLE	± 3.00°	CHECKED BY: VTA	SIZE: A4	UNIT: mm	SHEET: 30F4
MANUFACTURING COPY		APPROVED BY: QPF	PROJECTION		FCN: A4
			http://www.vitalconn.com		

REV.	ECN. NO.	NAME	DATE



SECTION A-A

MOUNTED ON PC BOARD
SHOWN THRU RECOMMENDED BEZEL



SECTION A-A

MOUNTED BELLY TO BELLY ON PC BOARD
SHOWN THRU RECOMMENDED BEZEL

TOLERANCE UNSPECIFIED	
.0	± 0.38
.00	± 0.25
.000	± 0.10
ANGLE	± 3.00°
MANUFACTURING COPY	

VITALCON
a vital connector company

FOR YOUR
VITAL CONNECTION

TITLE: SFP+1*6 CAGE

RoHS Compliant

DRAWN BY:	BECKER	PART NO:	SC16B	REV: A
CHECKED BY:	VTA	SIZE: A4	UNIT: mm	SHEET: 40F4
APPROVED BY:	QPF	PROJECTION		FCN: A4
		http://www.vitalconn.com		