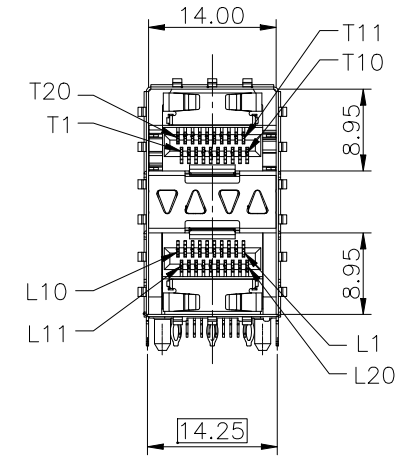
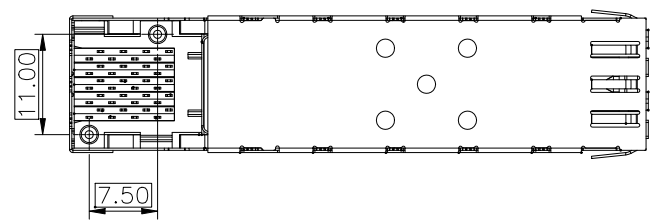
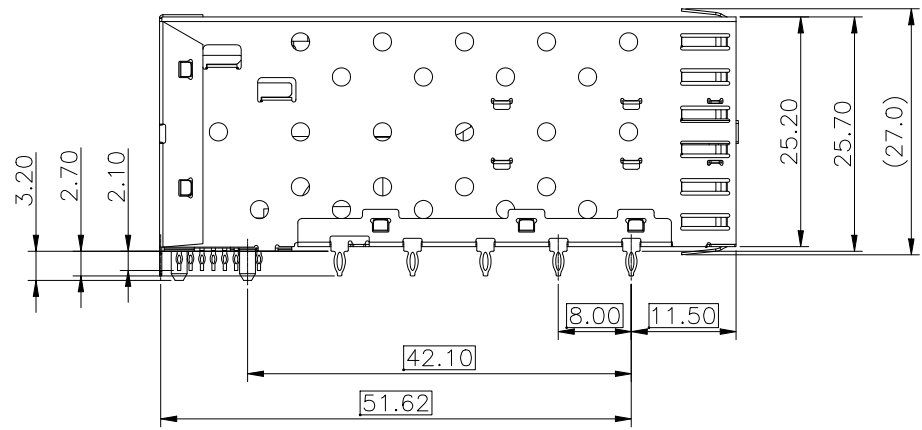
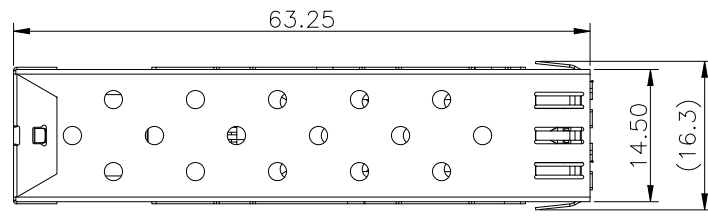


REV.	ECN. NO.	NAME	DATE




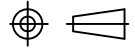
NOTES:

MATERIAL:  
 CAGE: NICKEL SILVER, THICKNESS 0.25mm  
 CONNECTOR:  
 PLASTIC HOUSING: HIGH TEMPERATURE LCP, UL94 V-0.  
 SPRING: STAINLESS STEEL, THICKNESS 0.20mm  
 CONTACTS: PHOSPHOR BRONZE, THICKNESS 0.20mm  
 PLATING: 15 $\mu$ " MIN. GOLD ON MATING AREA,  
 150 $\mu$ " MIN. MATE TIN ON SOLDER TAILS.

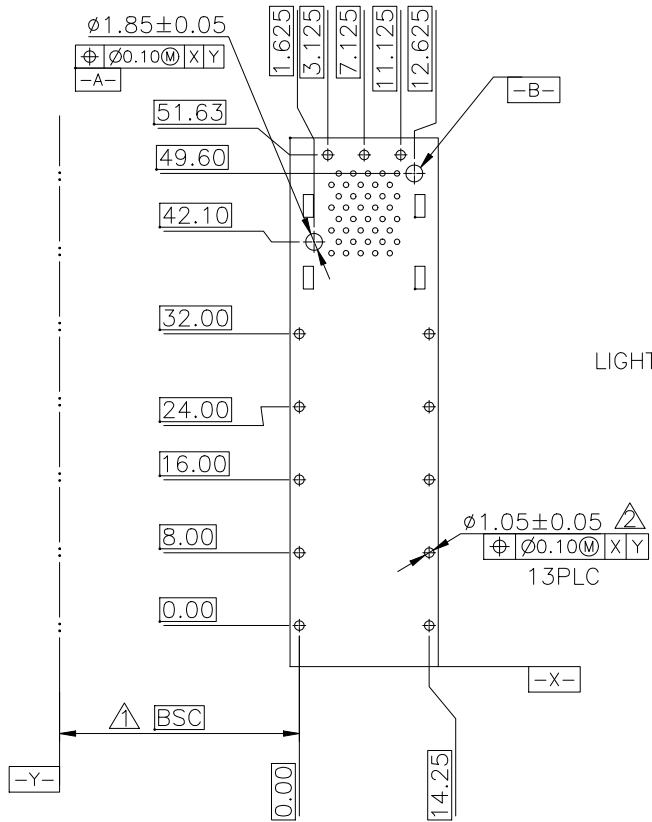
PACKAGING: TRAY PACKAGING.

TEMPERATURE RANGE: -40°C TO +85°C

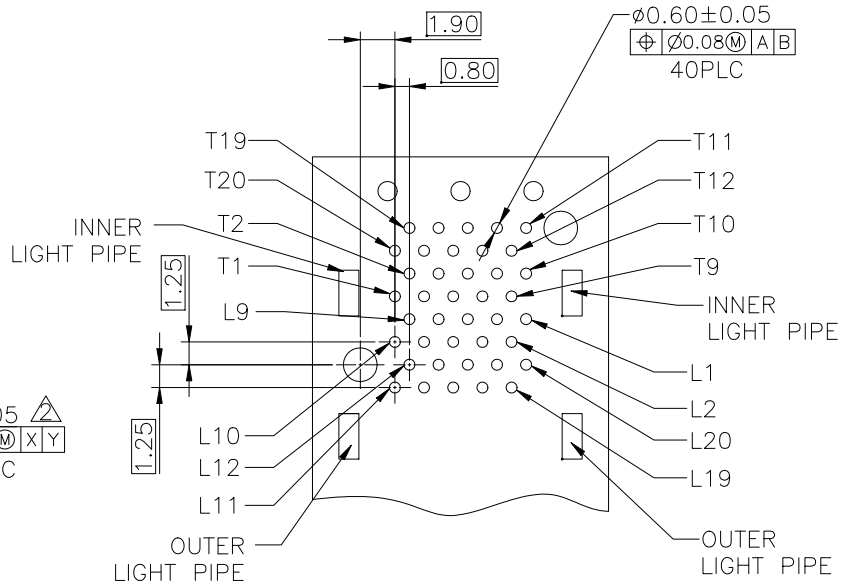
RoHS Compliant

TOLERANCE UNSPECIFIED		 a vital connector company		FOR YOUR VITAL CONNECTION	
.0	± 0.38			TITLE: SFP2*1 CAGE+CONN	
.00	± 0.25	DRAWN BY: BECKER		PART NO: SC212	
.000	± 0.10	CHECKED BY: VTA		SIZE: A4	
ANGLE	± 3.00°	APPROVED BY: QPF		UNIT:mm	
MANUFACTURING COPY		PROJECTION		SHEET:10F3	
				REV: A	
				FCN: A4	
				 <a href="http://www.vitalconn.com">http://www.vitalconn.com</a>	

REV.	ECN. NO.	NAME	DATE



ECOMMENDED PCB CONFIGURATION

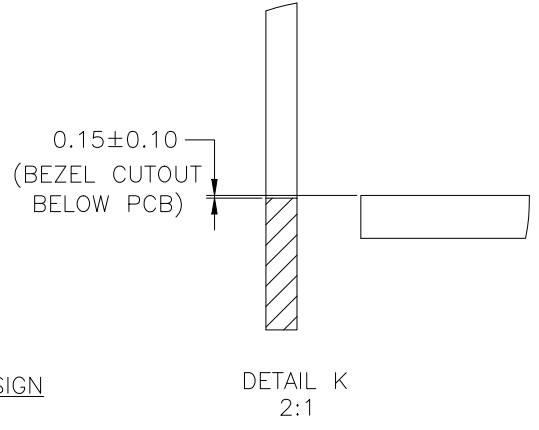
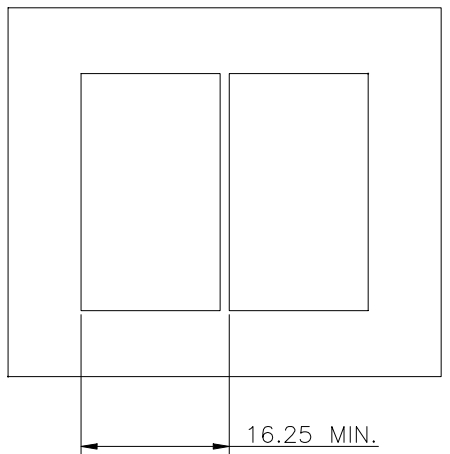
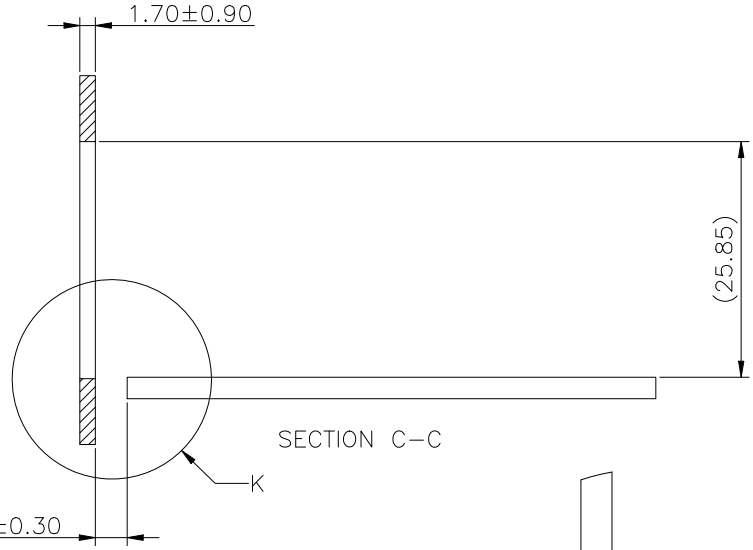
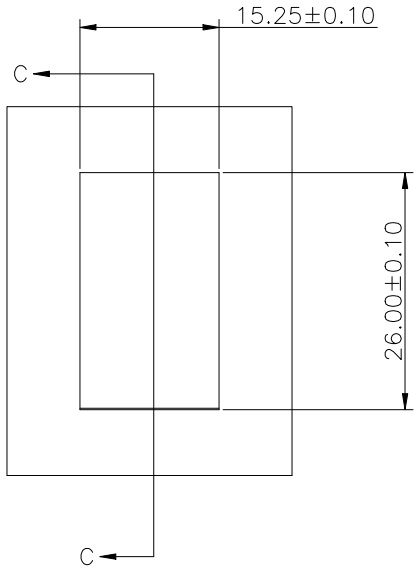


- NOTES:
1. DATUM AND BASIC DIMENSIONS ESTABLISHED BY CUSTOMER.
  2. 1.05 mm DIAMETER HOLES ARE CHASSIS GROUND .

RoHS Compliant

TOLERANCE UNSPECIFIED		 <b>VITALCON</b> a vital connector company		FOR YOUR VITAL CONNECTION	
.0	± 0.38			TITLE: SFP2*1 CAGE+CONN	
.00	± 0.25	DRAWN BY: BECKER	PART NO: SC212	REV: A	
.000	± 0.10	CHECKED BY: VTA	SIZE: A4	UNIT:mm	SHEET:20F3
ANGLE	± 3.00°	APPROVED BY: QPF	PROJECTION		FCN: A4
MANUFACTURING COPY		<a href="http://www.vitalconn.com">http://www.vitalconn.com</a>			


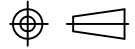
REV.	ECN. NO.	NAME	DATE



RECOMMENDED BEZEL DESIGN

DETAIL K  
2:1

RoHS Compliant

TOLERANCE UNSPECIFIED		 <b>VITALCON</b> a vital connector company		FOR YOUR VITAL CONNECTION	
.0	± 0.38			TITLE: SFP2*1 CAGE+CONN	
.00	± 0.25	DRAWN BY:	BECKER	PART NO:	SC212
.000	± 0.10	CHECKED BY:	VTA	SIZE: A4	UNIT:mm
ANGLE	± 3.00°	APPROVED BY:	QPF	PROJECTION	
MANUFACTURING COPY		SHEET:30F3		<a href="http://www.vitalconn.com">http://www.vitalconn.com</a>	
		REV: A		FCN: A4	