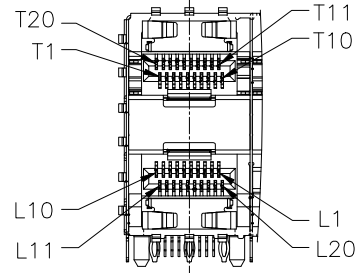
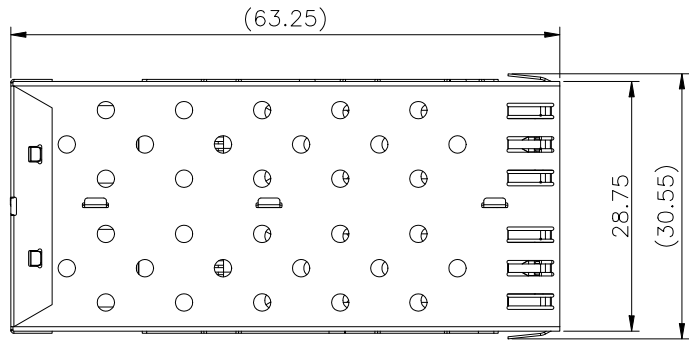
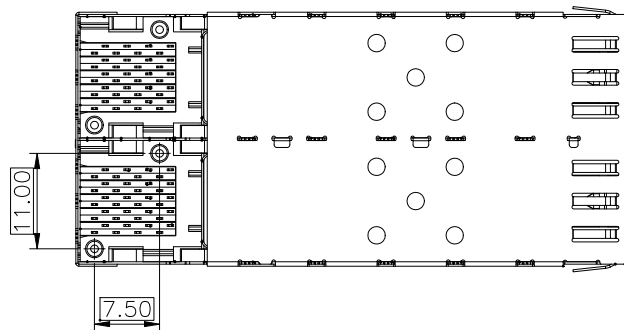
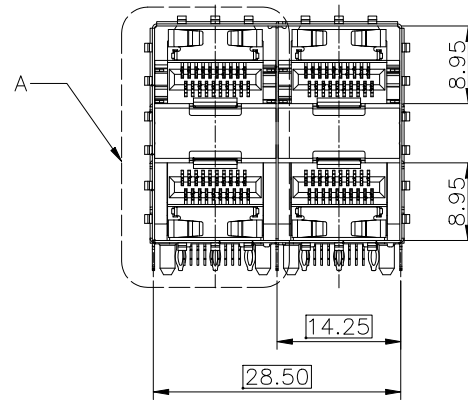
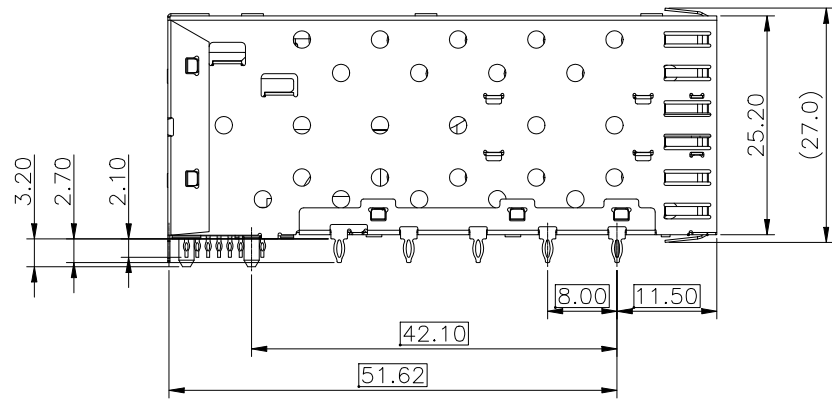


REV.	ECN. NO.	NAME	DATE



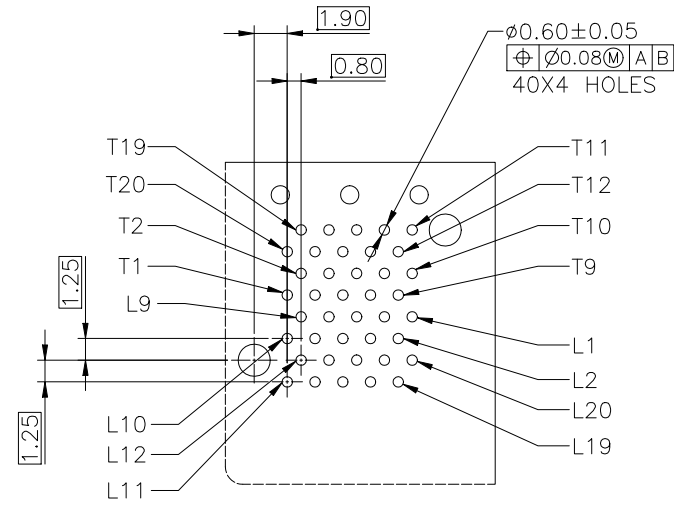
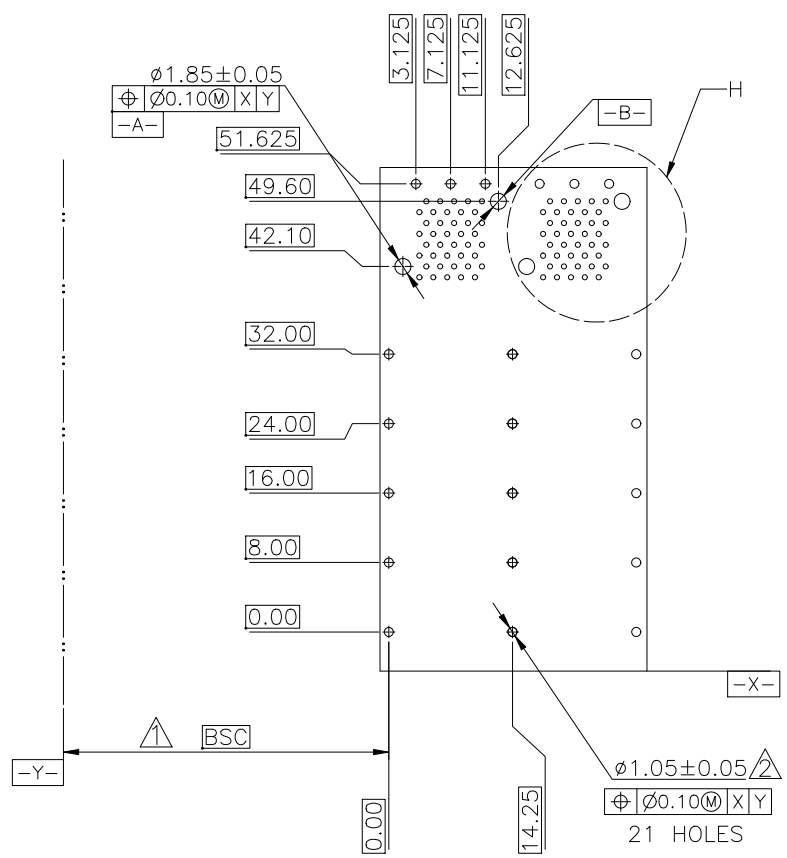
DETAIL A
1:1



RoHS Compliant

TOLERANCE UNSPECIFIED		VITALCON a vital connector company		FOR YOUR VITAL CONNECTION	
.0	± 0.38			TITLE: SFP2*2 CAGE+CONN	
.00	± 0.25	DRAWN BY: BECKER	PART NO: SC221	REV: A	
.000	± 0.10	CHECKED BY: VTA	SIZE: A4	UNIT:mm	SHEET:10F3
ANGLE	± 3.00°	APPROVED BY: QPF	PROJECTION		FCN: A4
MANUFACTURING COPY				http://www.vitalconn.com	

REV.	ECN. NO.	NAME	DATE



DETAIL H
2:1

RECOMMENDED PCB CONFIGURATION

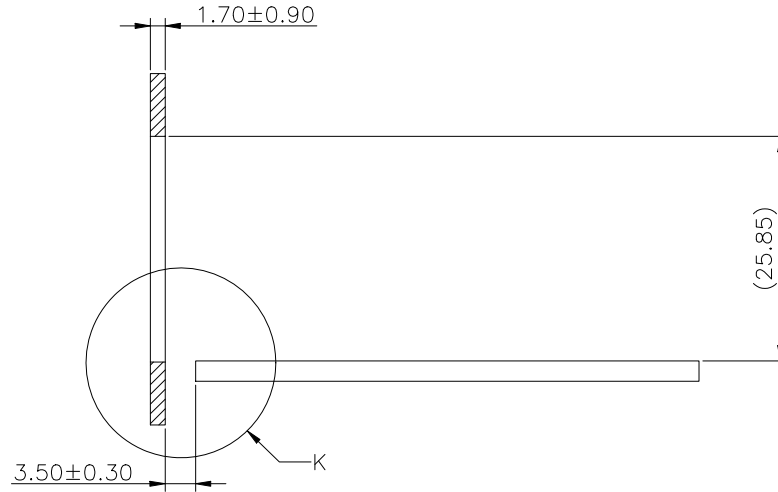
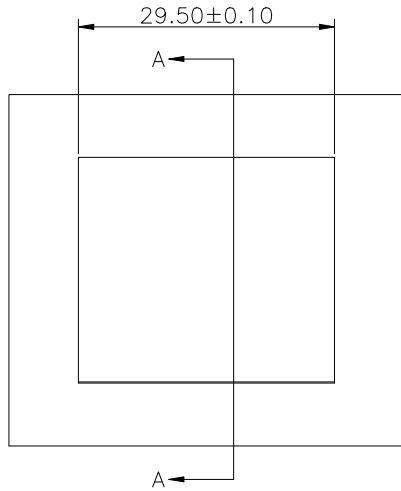
NOTES:

- DATUM AND BASIC DIMENSIONS ESTABLISHED BY CUSTOMER.
- 1.05 mm DIAMETER HOLES ARE CHASSIS GROUND (21 HOLES).

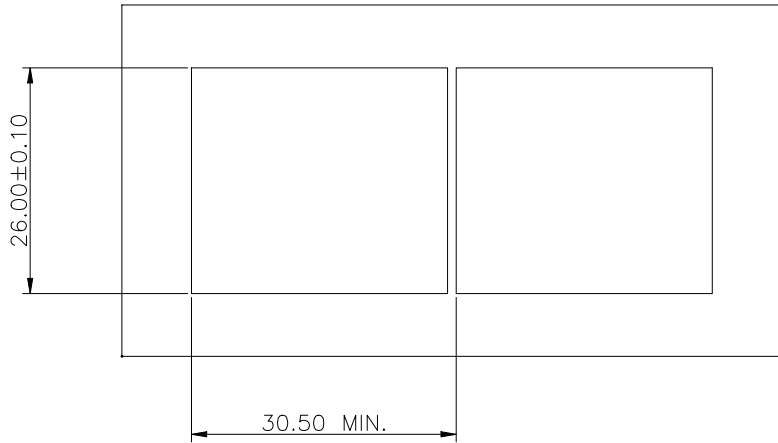
RoHS Compliant

TOLERANCE UNSPECIFIED		 a vital connector company		FOR YOUR VITAL CONNECTION	
.0	± 0.38			TITLE: SFP2*2 CAGE+CONN	
.00	± 0.25	DRAWN BY: BECKER		PART NO: SC221	
.000	± 0.10	CHECKED BY: VTA		UNIT:mm	
ANGLE	± 3.00°	APPROVED BY: QPF		SHEET:20F3	
MANUFACTURING COPY		PROJECTION		 http://www.vitalconn.com	
		REV: A		FCN: A4	

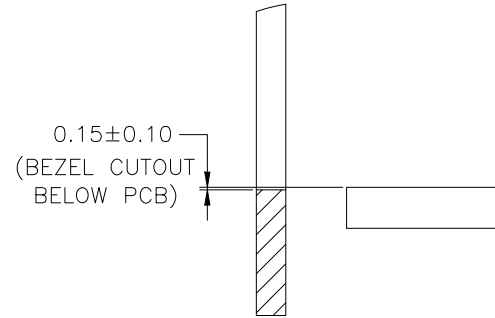
REV.	ECN. NO.	NAME	DATE



SECTION A-A



RECOMMENDED BEZEL DESIGN



DETAIL K
2:1

RoHS Compliant

TOLERANCE UNSPECIFIED		VITALCON a vital connector company		FOR YOUR VITAL CONNECTION			
.0	± 0.38			TITLE: SFP2*2 CAGE+CONN			
.00	± 0.25	DRAWN BY:	BECKER	PART NO:	SC221	REV: A	
.000	± 0.10	CHECKED BY:	VTA	SIZE: A4	UNIT:mm	SHEET:30F3	FCN: A4
ANGLE	± 3.00°	APPROVED BY:	QPF	PROJECTION		http://www.vitalconn.com	
MANUFACTURING COPY							