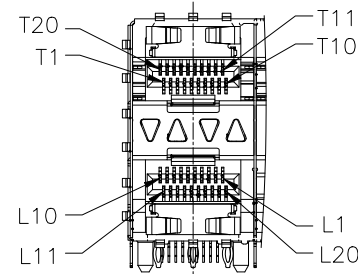
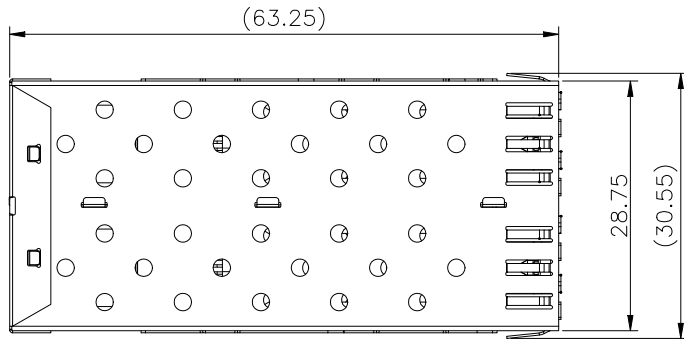
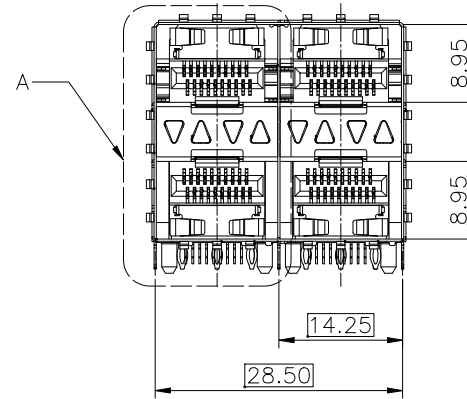
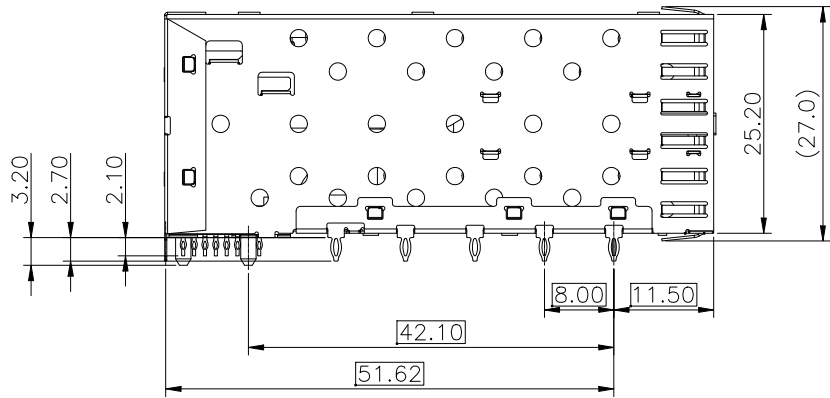


| REV. | ECN. NO. | NAME | DATE |
|------|----------|------|------|
| | | | |
| | | | |



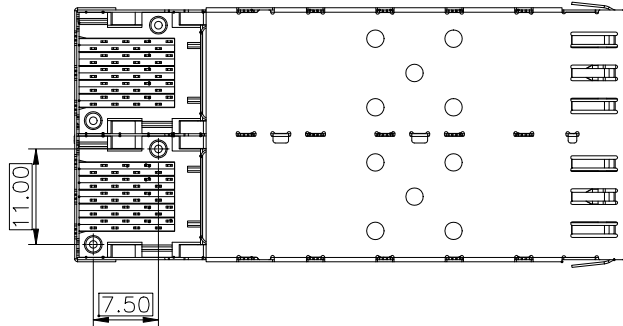
DETAIL A
1:1



NOTES:

MATERIAL:
 CAGE: NICKEL SILVER, THICKNESS 0.25mm
 LIGHT PIPE: POLYCARBONATE, COLOR: CLEAR.
 CONNECTOR:
 PLASTIC HOUSING: HIGH TEMPERATURE LCP, UL94 V-0.
 SPRING: STAINLESS STEEL, THICKNESS 0.20mm
 CONTACTS: PHOSPHOR BRONZE, THICKNESS 0.20mm
 PLATING: 15μ" MIN. GOLD ON MATING AREA,
 150μ" MIN. MATE TIN ON SOLDER TAILS.

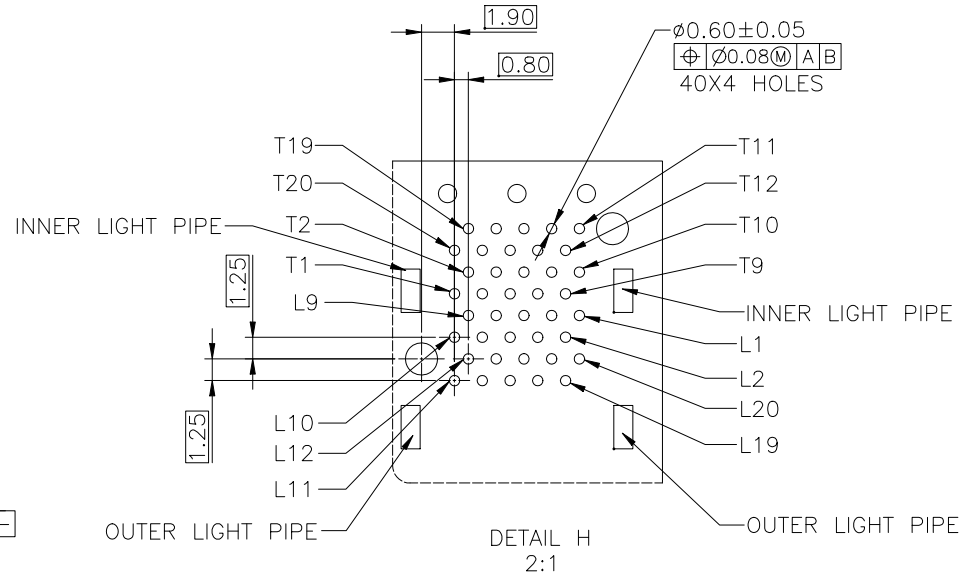
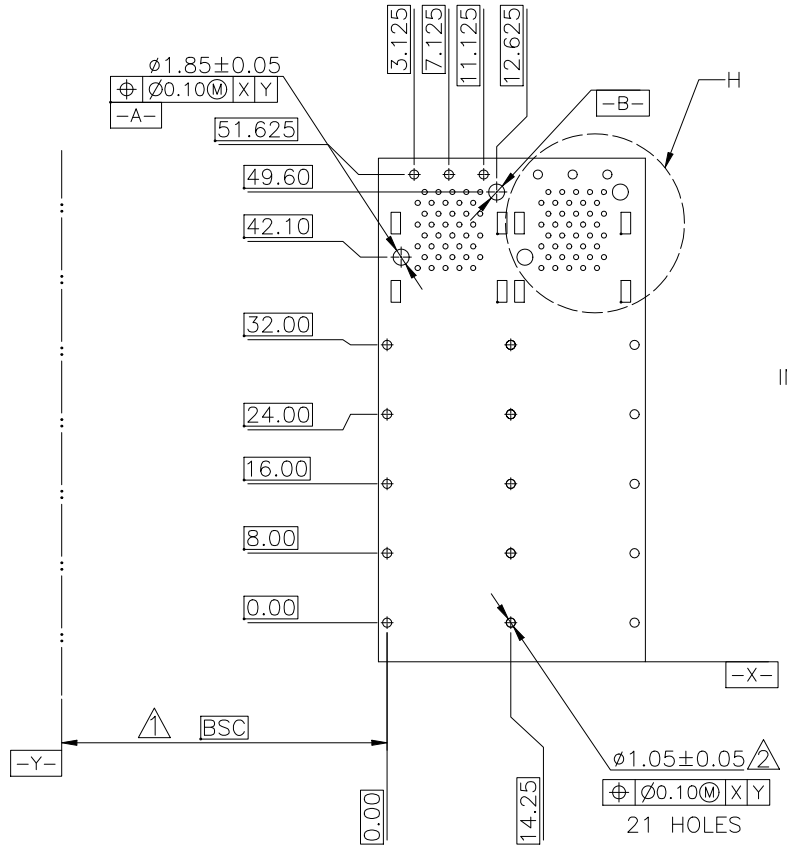
PACKAGING: TRAY PACKAGING.
 TEMPERATURE RANGE: -40°C TO +85°C



RoHS Compliant

| | | | | | |
|-----------------------|---------|--|---------|------------------------------|---------|
| TOLERANCE UNSPECIFIED | | VITALCON a vital connector company | | FOR YOUR VITAL CONNECTION | |
| .0 | ± 0.38 | | | | |
| .00 | ± 0.25 | TITLE: SFP2*2 CAGE+CONN | | | |
| .000 | ± 0.10 | | | | |
| ANGLE | ± 3.00° | | | | |
| MANUFACTURING COPY | | | | | |
| DRAWN BY: | BECKER | PART NO: | SC222 | REV: A | |
| CHECKED BY: | VTA | SIZE: A4 | UNIT:mm | SHEET:10F3 | FCN: A4 |
| APPROVED BY: | QPF | PROJECTION | | http://www.vitalconn.com | |

| REV. | ECN. NO. | NAME | DATE |
|------|----------|------|------|
| | | | |
| | | | |



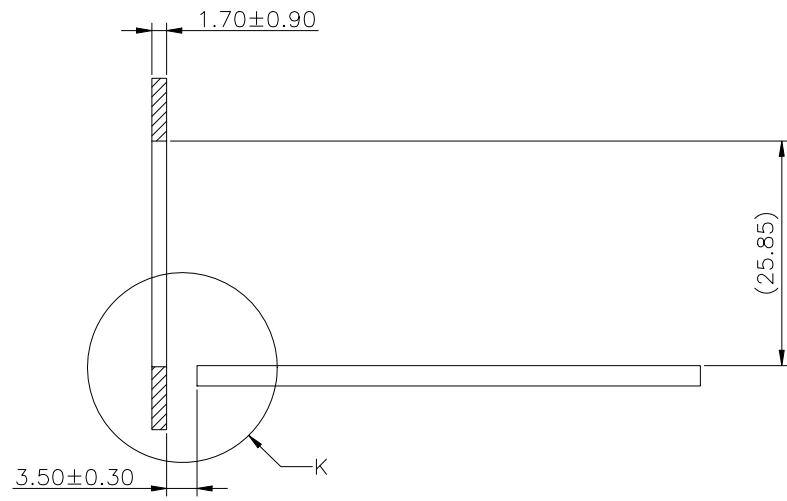
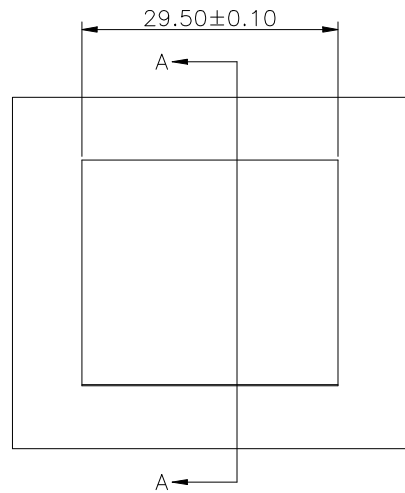
RECOMMENDED PCB CONFIGURATION

- NOTES:
1. DATUM AND BASIC DIMENSIONS ESTABLISHED BY CUSTOMER.
 2. 1.05 mm DIAMETER HOLES ARE CHASSIS GROUND (30 HOLES).

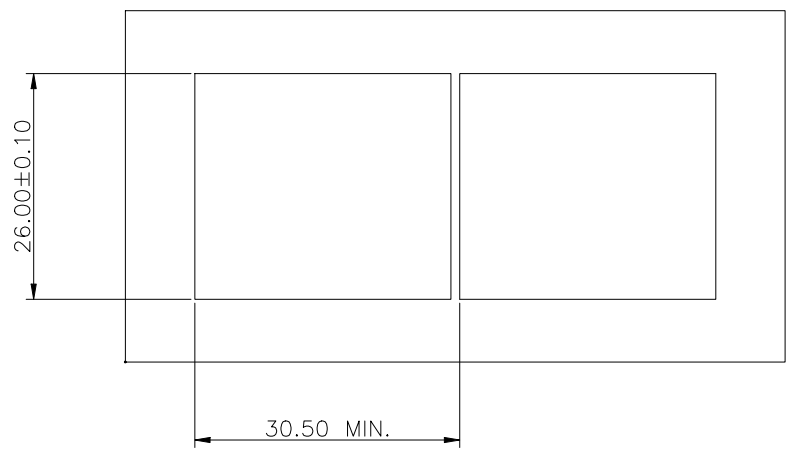
RoHS Compliant

| | | | | | |
|-----------------------|---------|--|--|---|--|
| TOLERANCE UNSPECIFIED | | VITALCON a vital connector company | | FOR YOUR VITAL CONNECTION | |
| .0 | ± 0.38 | | | TITLE: SFP2*2 CAGE+CONN | |
| .00 | ± 0.25 | DRAWN BY: BECKER | | PART NO: SC222 | |
| .000 | ± 0.10 | CHECKED BY: VTA | | SIZE: A4 | |
| ANGLE | ± 3.00° | APPROVED BY: QPF | | UNIT:mm | |
| MANUFACTURING COPY | | PROJECTION | | SHEET:20F3 | |
| | | | | REV: A | |
| | | | | FCN: A4 | |
| | | | | http://www.vitalconn.com | |

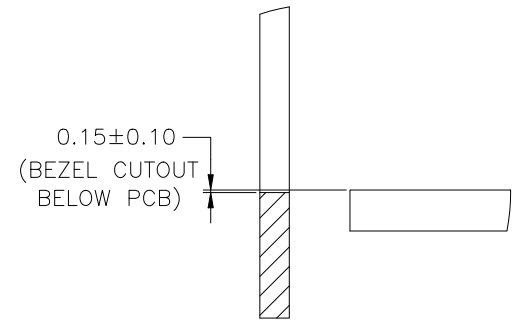
| REV. | ECN. NO. | NAME | DATE |
|------|----------|------|------|
| | | | |
| | | | |



SECTION A-A



RECOMMENDED BEZEL DESIGN



DETAIL K
2:1

RoHS Compliant

| | | | | | |
|-----------------------|---------|--|----------------|---------------------------|---|
| TOLERANCE UNSPECIFIED | | VITALCON a vital connector company | | FOR YOUR VITAL CONNECTION | |
| .0 | ± 0.38 | | | TITLE: SFP2*2 CAGE+CONN | |
| .00 | ± 0.25 | DRAWN BY: BECKER | PART NO: SC222 | REV: A | |
| .000 | ± 0.10 | CHECKED BY: VTA | SIZE: A4 | UNIT:mm | SHEET:30F3 |
| ANGLE | ± 3.00° | APPROVED BY: QPF | PROJECTION | | http://www.vitalconn.com |
| MANUFACTURING COPY | | | | | |