

# SC2240B OTP Encoder

---

## SC2240B Description: (Compatible:EV1527,RT1527,FP1527)

SC2240B is OTP Encoder utilizing CMOS technology process. SC2240B has a maximum of 20 bits providing up to 1 million codes. It can reduce any code collision and unauthorized code scanning possibilities.

## SC2240B Features: (Compatible:EV1527,RT1527,FP1527)

- CMOS Technology
- Low stand by Current:1.0uA
- Wide range of Operating Voltage:Vcc = 3.0~12V
- Up to 4 data pins
- Total 1048576 address codes
- Single Resistor Oscillator
- Available in DIP and SOP Package

## SC2240B Pin out: (Compatible:EV1527,RT1527,FP1527)

1	Vcc	OSC	8
2	Vss	D3	7
3	Dt	D2	6
4	D0	D1	5

## SC2240B Pin Description: (Compatible:EV1527,RT1527,FP1527)

Pin No.	Name	Description	I/O
1	OCSI	Oscillator input pull-up R to Vcc	I
2	Vcc	Positive power supply	
3	GND	Ground	
4	Dout	Data output pin	O
5	K0	Data input with pull-low R	I
6	K1	Data input with pull-low R	I
7	K2	Data input with pull-low R	I
8	K3	Data input with pull-low R	I

---

**Silvan Chip Electronics Tech.Co.,Ltd.**

**Address:** Fl.16 FuChang Building, Binhe Rd, Shenzhen, China

**Phone:** 86-0755-88291843 88304213 **Fax :** 86-0755-88290509

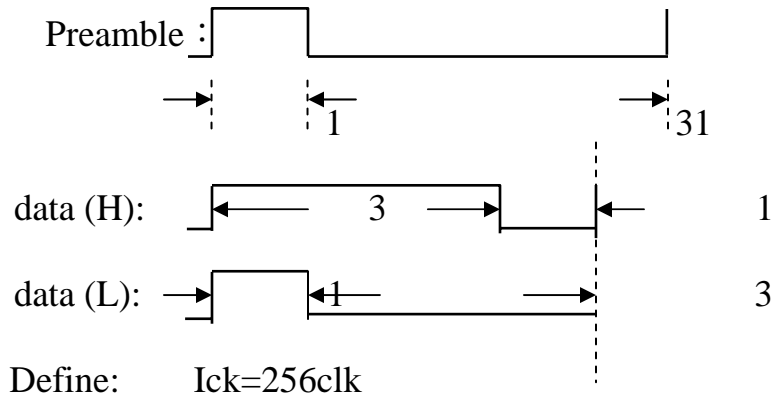
**Email:** [jj@sc-tech.cn](mailto:jj@sc-tech.cn) **Http://** [www.sc-tech.cn](http://www.sc-tech.cn)

# SC2240B OTP Encoder

## SC2240B Output format: (Compatible:EV1527,RT1527,FP1527)

Output data frame:

Preamble	C0 ~ C19 (1 million codes)	D0	D1	D2	D3
----------	----------------------------	----	----	----	----



## SC2240B K0~K3 combination Table: (Compatible:EV1527,RT1527,FP1527)

K3	K2	K1	K0	D3	D2	D1	D0
0	0	0	1	0	0	0	1
0	0	1	0	0	0	1	0
0	0	1	1	0	0	1	1
0	1	0	0	0	1	0	0
0	1	0	1	0	1	0	1
0	1	1	0	0	1	1	0
0	1	1	1	0	1	1	1
1	0	0	0	1	0	0	0
1	0	0	1	1	0	0	1
1	0	1	0	1	0	1	0
1	0	1	1	1	0	1	1
1	1	0	0	1	1	0	0
1	1	0	1	1	1	0	1
1	1	1	0	1	1	1	0
1	1	1	1	1	1	1	1

## SC2240B Absolute Maximum Rating: (Compatible:EV1527,RT1527,FP1527)

Symbol	Parameter	Conditions	Rating	Unit
Vcc	Supply voltage		-0.3 ~ 13	V
VI	Input voltage		-0.3 ~ Vcc+0.3	V
Vo	Output voltage		-0.3 ~ Vcc+0.3	V
Tst	Storage temp		-40 ~ 125	°C
Top	Operating temp		-20 ~ 70	°C
Pdis	Max.power dissipation	Vcc = 12V	300	mW

Silvan Chip Electronics Tech.Co.,Ltd.

Address: Fl.16 FuChang Building,Binhe Rd,Shenzhen,China

Phone: 86-0755-88291843 88304213 Fax : 86-0755-88290509

Email: [jj@sc-tech.cn](mailto:jj@sc-tech.cn)

Http:// [www.sc-tech.cn](http://www.sc-tech.cn)

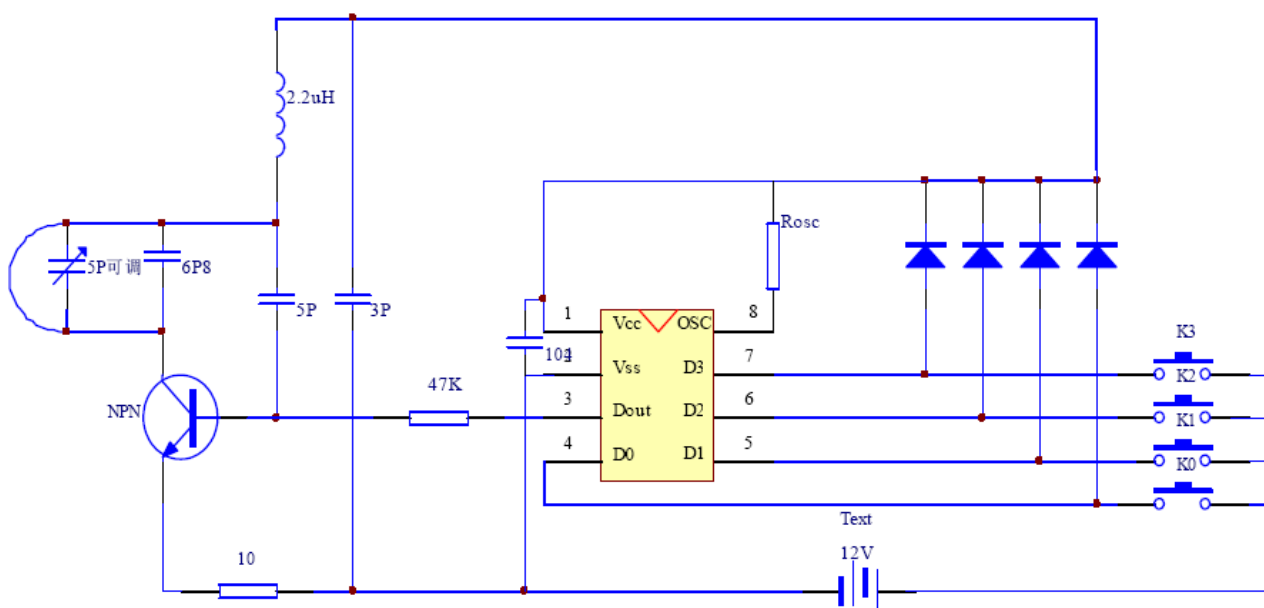
# SC2240B OTP Encoder

## SC2240B Rosc & data cycle:(Compatible:EV1527,RT1527,FP1527)

Rosc & TD:

	12V	11V	10V	9V	8V	7V	6V	5V	4V
300K	1.34ms	1.37ms	1.41ms	1.45ms	1.5ms	1.57ms	1.66ms	1.79ms	1.99ms
330K	1.48ms	1.51ms	1.55ms	1.59ms	1.64ms	1.71ms	1.81ms	1.94ms	2.19ms
360K	1.71ms	1.75ms	1.79ms	1.84ms	1.91ms	1.99ms	2.11ms	2.27ms	2.53ms
390K	1.82ms	1.86ms	1.91ms	1.96ms	2.03ms	2.11ms	2.24ms	2.401ms	2.69ms
430K	2.035ms	2.085ms	2.135ms	2.195ms	2.265ms	2.365ms	2.505ms	2.705ms	3.01ms

## SC2240B Schematic diagram:(Compatible:EV1527,RT1527,FP1527)



Silvan Chip Electronics Tech.Co.,Ltd.

Address: F1.16 FuChang Building, Binhe Rd, Shenzhen, China

Phone: 86-0755-88291843 88304213 Fax : 86-0755-88290509

Email: [jjia@sc-tech.cn](mailto:jjia@sc-tech.cn)

Http:// [www.sc-tech.cn](http://www.sc-tech.cn)