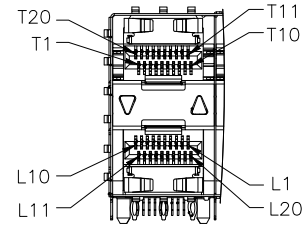
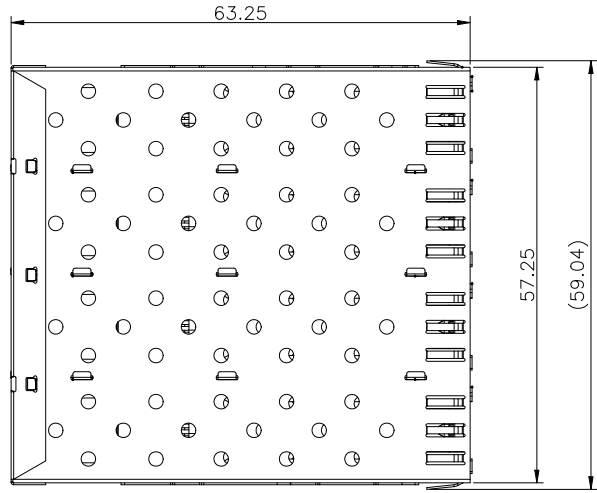


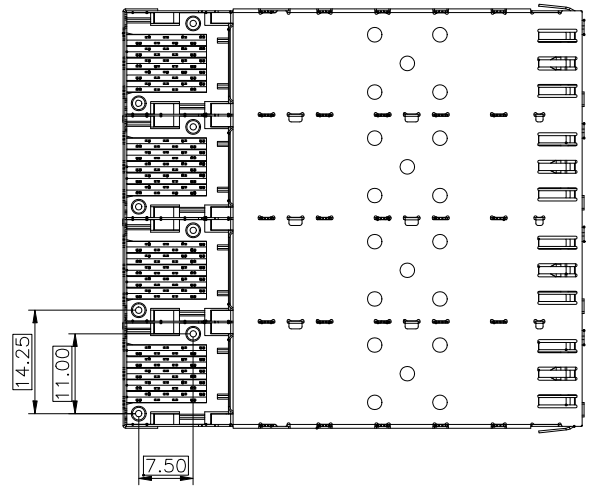
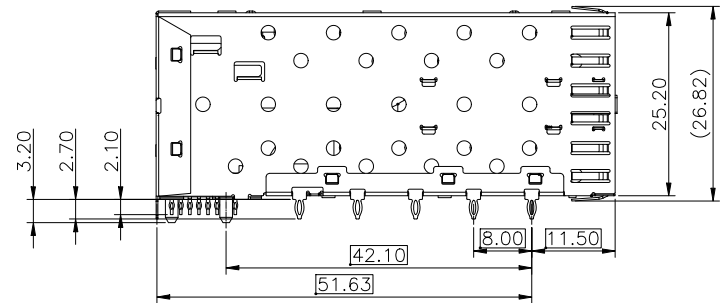
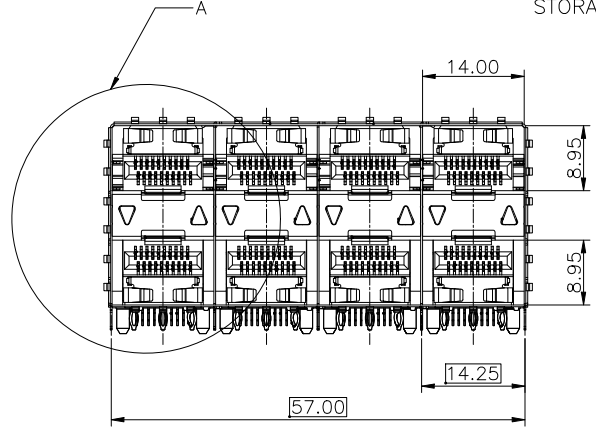
REV.	ECN. NO.	NAME	DATE



DETAIL A
1:1

NOTES:

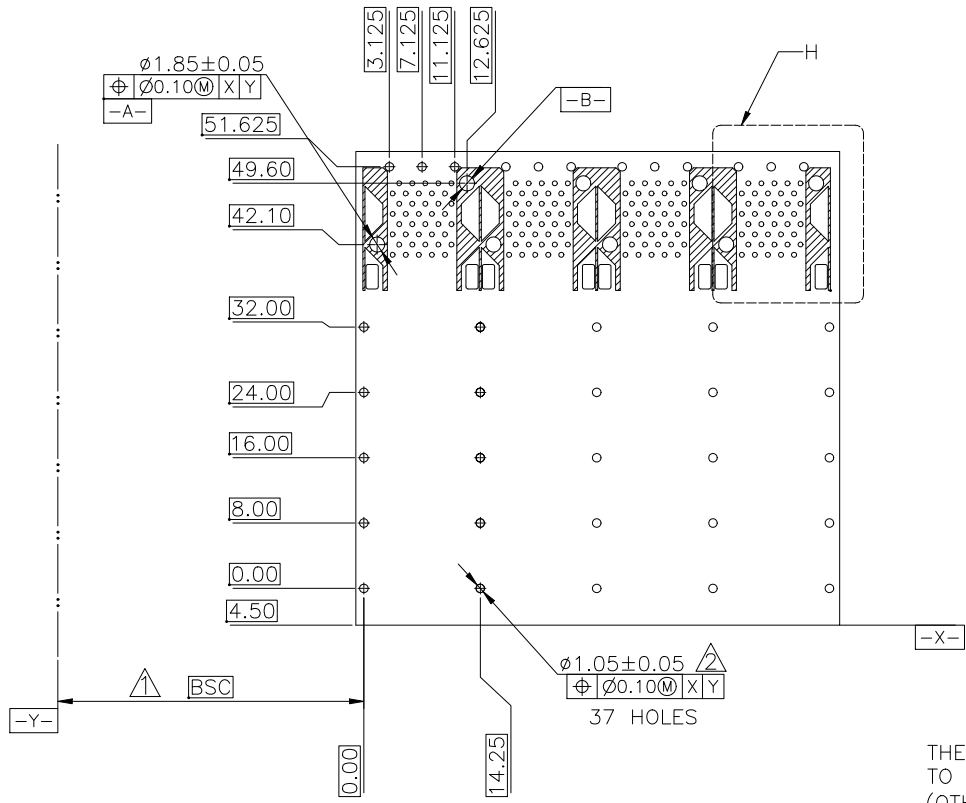
MATERIAL:
 CAGE: COPPER ALLOY THICKNESS 0.25mm
 CONNECTOR:
 PLASTIC HOUSING: HIGH TEMPERATURE LCP, UL94 V-0.
 LIGHT PIPE: POLYCARBONATE; COLOR: CLEAR
 SPRING: STAINLESS STEEL, THICKNESS 0.20mm
 CONTACTS: PHOSPHOR BRONZE, THICKNESS 0.20mm
 PLATING: 15 μ " MIN. GOLD ON MATING AREA,
 150 μ " MIN. MATE TIN ON SOLDER TAILS.
 PACKAGING: TRAY PACKAGING.
 OPERATING TEMPERATURE: -40°C TO +85°C
 STORAGE TEMPERATURE: -55°C TO +105°C



RoHS Compliant

TOLERANCE UNSPECIFIED		VITALCON a vital connector company		FOR YOUR VITAL CONNECTION	
.0	± 0.38			TITLE: SFP2*4 CAGE+CONN	
.00	± 0.25	DRAWN BY: BECKER	PART NO: SC243	REV: A	
.000	± 0.10	CHECKED BY: VTA	SIZE: A4	UNIT:mm	SHEET:10F3
ANGLE	± 3.00°	APPROVED BY: QPF	PROJECTION		http://www.vitalconn.com
MANUFACTURING COPY					

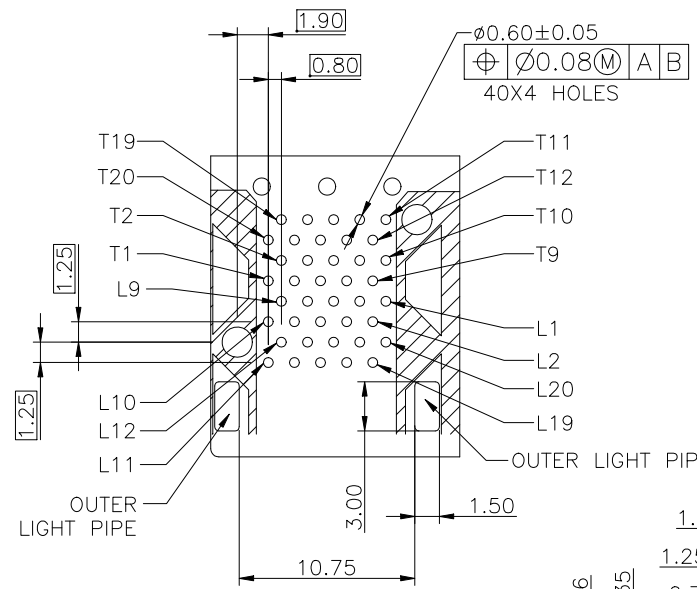
REV.	ECN. NO.	NAME	DATE



RECOMMENDED PCB CONFIGURATION

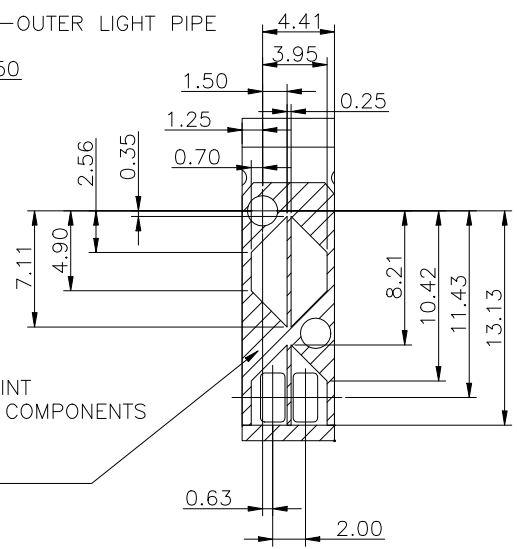
- NOTES:
- DATUM AND BASIC DIMENSIONS ESTABLISHED BY CUSTOMER.
 - 1.05 mm DIAMETER HOLES ARE CHASSIS GROUND.

RoHS Compliant



DETAIL H
2:1

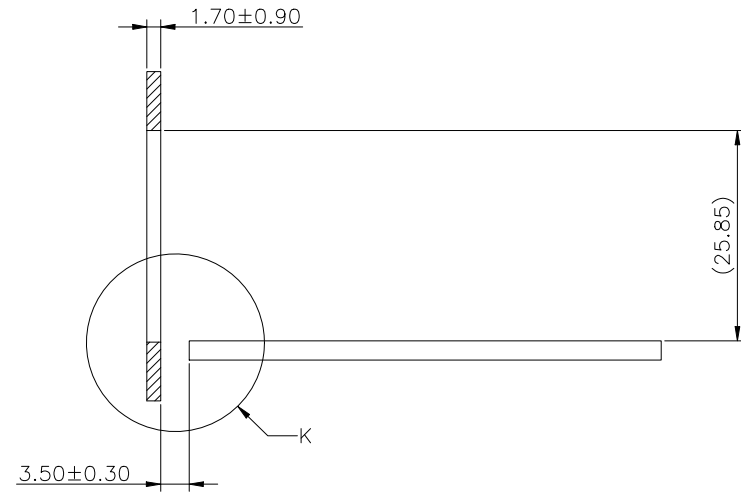
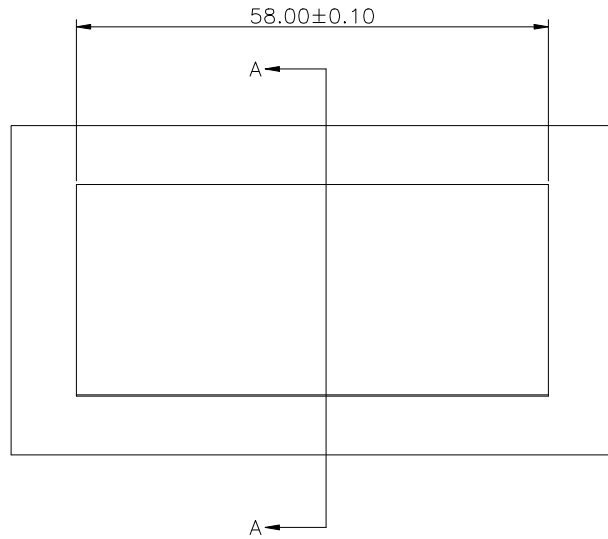
THE ENTIRE AREA OF THE CONNECTOR FOOTPRINT TO BE CONSIDERED THE KEEP OUT AREA FOR COMPONENTS (OTHER THAN LIGHT PIPE LE'S) THIS AREA IS INDICATED BY THE DASHED LINE



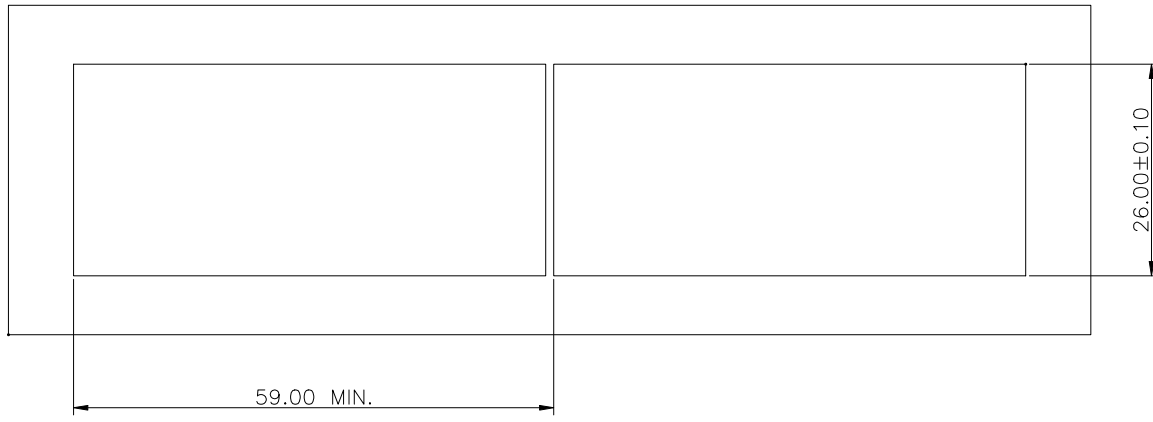
DETAIL LIGHT PIPE LOCATION AND OTHER ZONES
DETAIL K
2:1

TOLERANCE UNSPECIFIED		 VITALCON a vital connector company		FOR YOUR VITAL CONNECTION	
.0	± 0.38			TITLE: SFP2*4 CAGE+CONN	
.00	± 0.25	DRAWN BY: BECKER	PART NO: SC243	REV: A	
.000	± 0.10	CHECKED BY: VTA	SIZE: A4	UNIT:mm	SHEET:20F3
ANGLE	± 3.00°	APPROVED BY: QPF	PROJECTION		http://www.vitalconn.com
MANUFACTURING COPY					

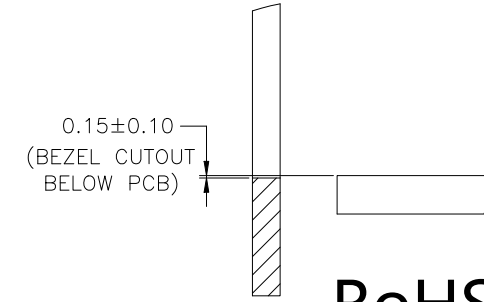
REV.	ECN. NO.	NAME	DATE



SECTION A-A



RECOMMENDED BEZEL DESIGN



DETAIL K
2:1

RoHS Compliant

TOLERANCE UNSPECIFIED		VITALCON a vital connector company		FOR YOUR VITAL CONNECTION	
.0	± 0.38			TITLE: SFP2*4 CAGE+CONN	
.00	± 0.25	DRAWN BY: BECKER	PART NO: SC243	REV: A	
.000	± 0.10	CHECKED BY: VTA	SIZE: A4	UNIT:mm	SHEET:30F3
ANGLE	± 3.00°	APPROVED BY: QPF	PROJECTION		http://www.vitalconn.com
MANUFACTURING COPY					