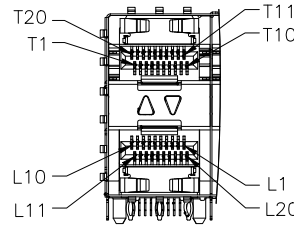
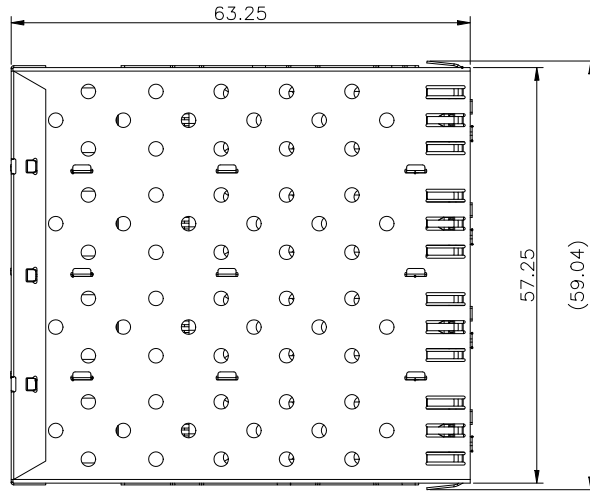
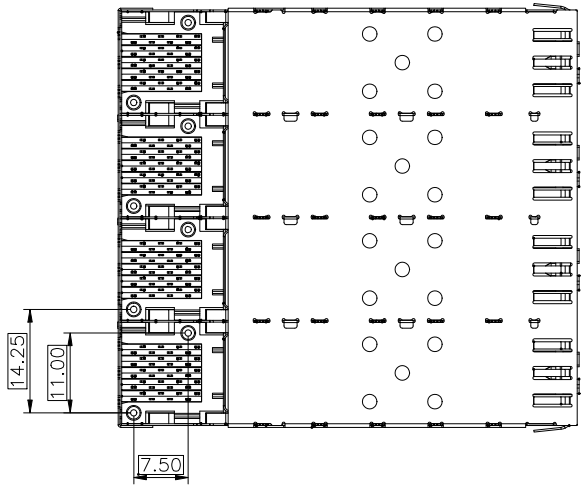
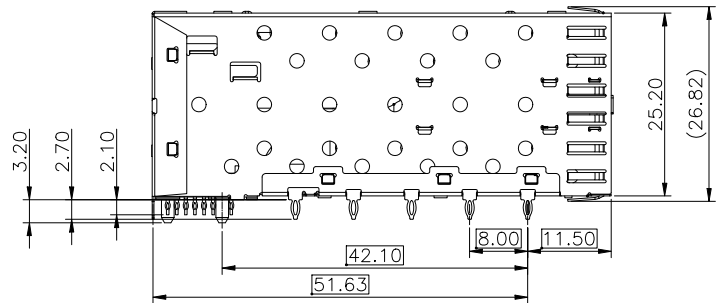
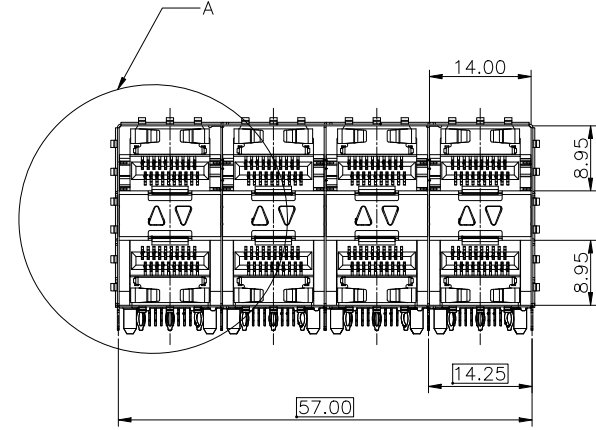


REV.	ECN. NO.	NAME	DATE



NOTES:

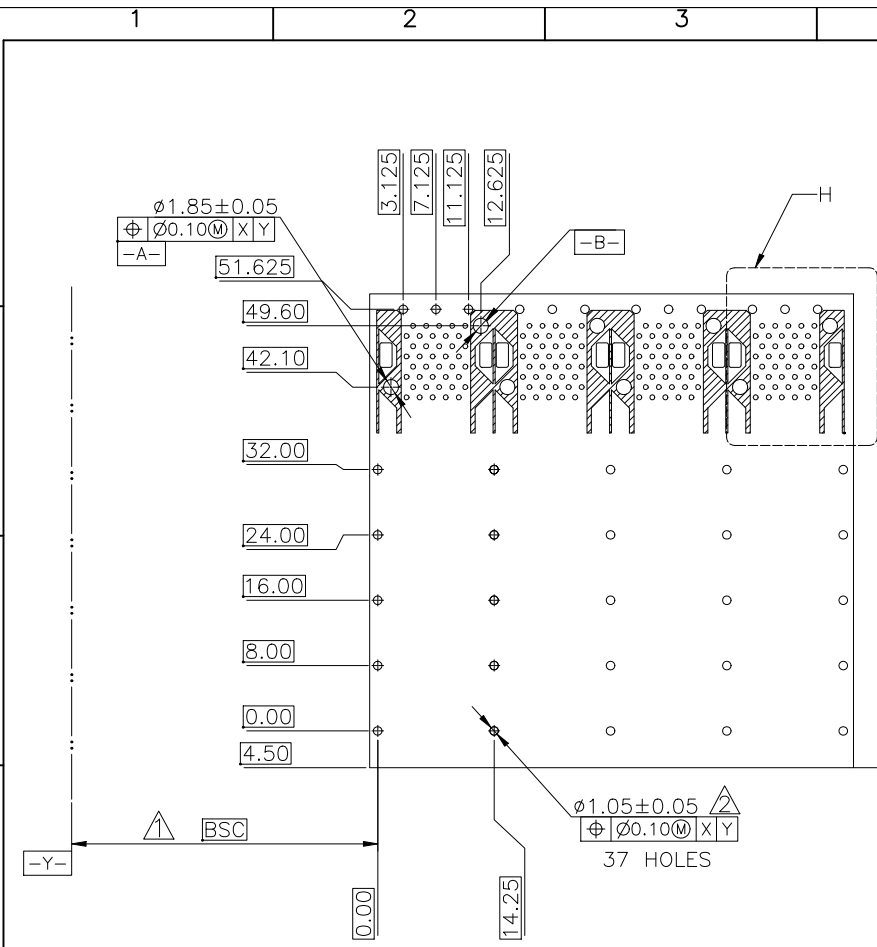
MATERIAL:
 CAGE: COPPER ALLOY THICKNESS 0.25mm
 CONNECTOR:
 PLASTIC HOUSING: HIGH TEMPERATURE LCP, UL94 V-0.
 LIGHT PIPE: POLYCARBONATE; COLOR: CLEAR
 SPRING: STAINLESS STEEL, THICKNESS 0.20mm
 CONTACTS: PHOSPHOR BRONZE, THICKNESS 0.20mm
 PLATING: 15μ" MIN. GOLD ON MATING AREA,
 150μ" MIN. MATE TIN ON SOLDER TAILS.
 PACKAGING: TRAY PACKAGING.
 OPERATING TEMPERATURE: -40°C TO +85°C
 STORAGE TEMPERATURE: -55°C TO +105°C



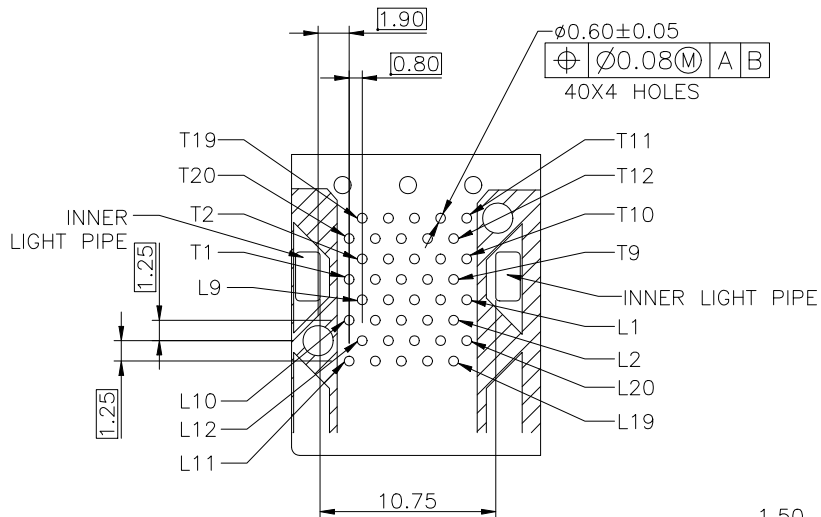
RoHS Compliant

TOLERANCE UNSPECIFIED		VITALCON a vital connector company		FOR YOUR VITAL CONNECTION	
.0	± 0.38			TITLE: SFP2*4 CAGE+CONN	
.00	± 0.25	DRAWN BY: BECKER	PART NO: SC244	REV: A	
.000	± 0.10	CHECKED BY: VTA	SIZE: A4	UNIT:mm	SHEET:10F3 FCN: A4
ANGLE	± 3.00°	APPROVED BY: QPF	PROJECTION		http://www.vitalconn.com
MANUFACTURING COPY					

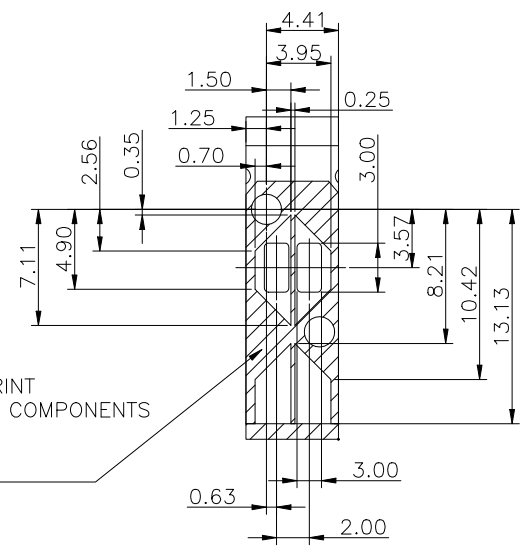
REV.	ECN. NO.	NAME	DATE



RECOMMENDED PCB CONFIGURATION



DETAIL H
2:1



DETAIL LIGHT PIPE LOCATION AND OTHER ZONES
DETAIL K
2:1

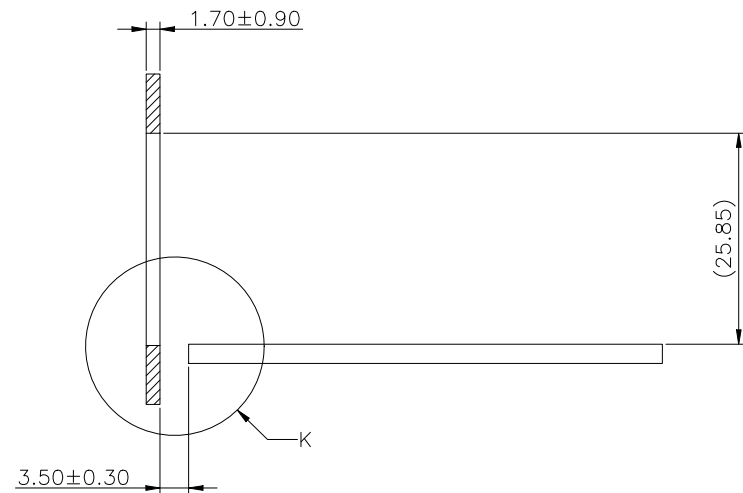
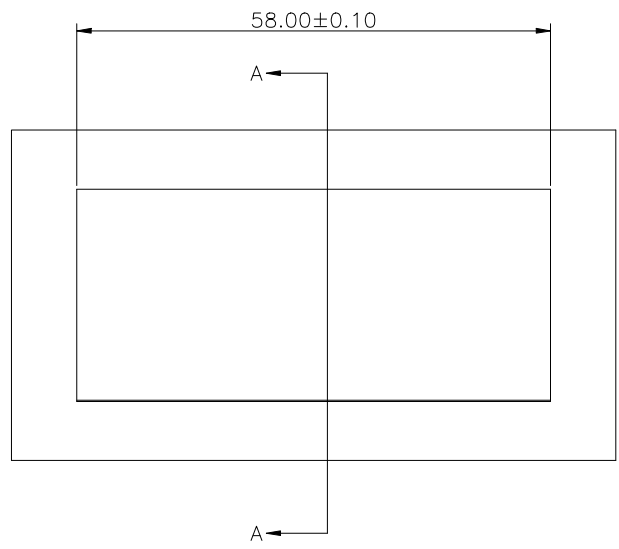
THE ENTIRE AREA OF THE CONNECTOR FOOTPRINT TO BE CONSIDERED THE KEEP OUT AREA FOR COMPONENTS (OTHER THAN LIGHT PIPE LE'S) THIS AREA IS INDICATED BY THE DASHED LINE

- NOTES:
1. DATUM AND BASIC DIMENSIONS ESTABLISHED BY CUSTOMER.
 2. 1.05 mm DIAMETER HOLES ARE CHASSIS GROUND.

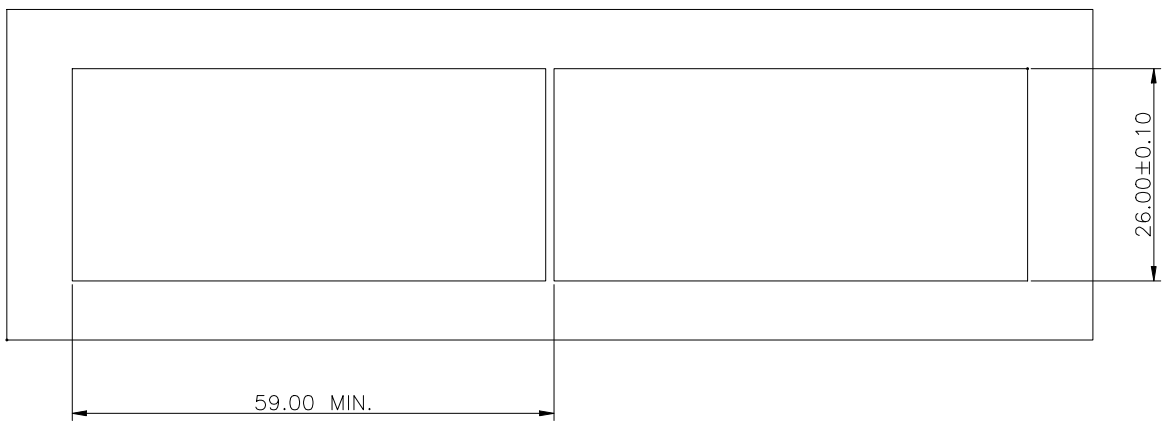
RoHS Compliant

TOLERANCE UNSPECIFIED		VITALCON a vital connector company		FOR YOUR VITAL CONNECTION	
.0	± 0.38			TITLE: SFP2*4 CAGE+CONN	
.00	± 0.25	DRAWN BY: BECKER	PART NO: SC244	REV: A	
.000	± 0.10	CHECKED BY: VTA	SIZE: A4	UNIT:mm	SHEET:20F3
ANGLE	± 3.00°	APPROVED BY: QPF	PROJECTION	http://www.vitalconn.com	
MANUFACTURING COPY					

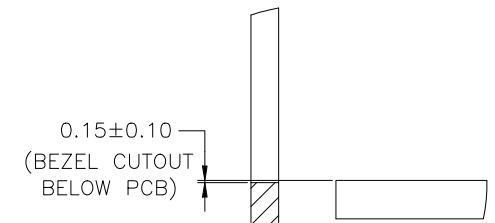
REV.	ECN. NO.	NAME	DATE



SECTION A-A



RECOMMENDED BEZEL DESIGN



DETAIL K
2:1

RoHS Compliant

TOLERANCE UNSPECIFIED		VITALCON a vital connector company		FOR YOUR VITAL CONNECTION	
.0	± 0.38			TITLE: SFP2*4 CAGE+CONN	
.00	± 0.25	DRAWN BY: BECKER		PART NO: SC244	
.000	± 0.10	CHECKED BY: VTA		UNIT:mm	
ANGLE	± 3.00°	APPROVED BY: QPF		SHEET:30F3	
MANUFACTURING COPY		PROJECTION		http://www.vitalconn.com	