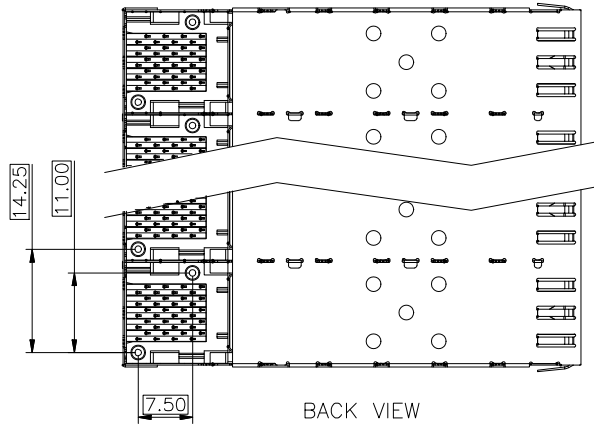
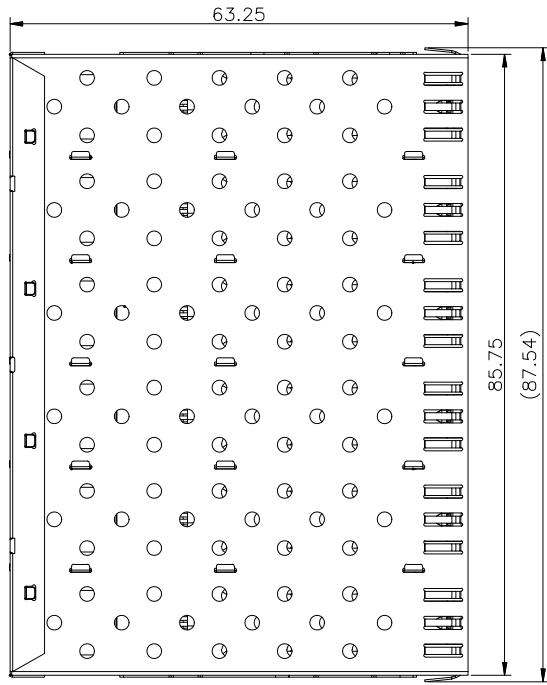


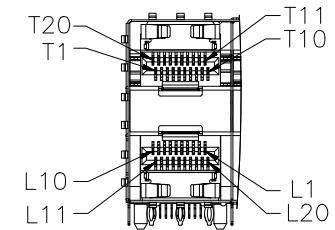
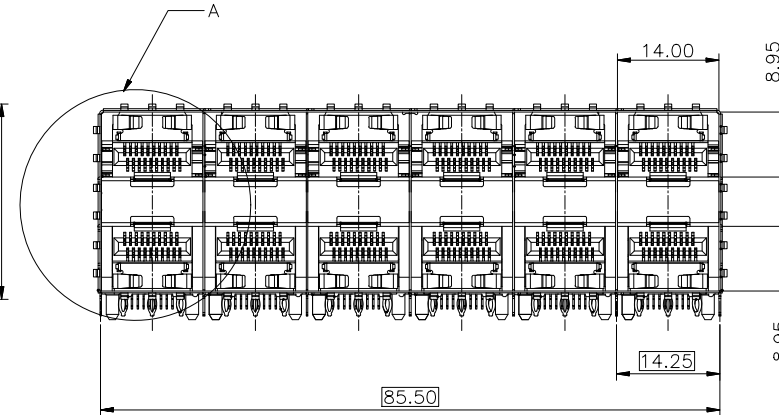
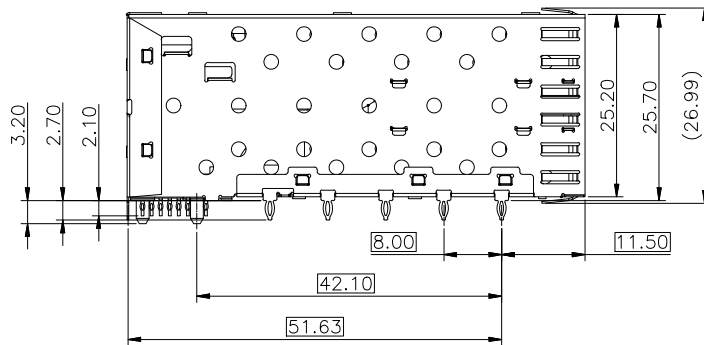
REV.	ECN. NO.	NAME	DATE



BACK VIEW

NOTES:

MATERIAL:  
 CAGE: NICKEL SILVER, THICKNESS 0.25mm  
 LIGHT PIPE: POLYCARBONATE, COLOR: CLEAR.  
 CONNECTOR:  
 PLASTIC HOUSING: HIGH TEMPERATURE LCP, UL94 V-0  
 SPRING: STAINLESS STEEL, THICKNESS 0.20mm  
 CONTACTS: PHOSPHOR BRONZE, THICKNESS 0.20mm  
 PLATING: 15μ" MIN. GOLD ON MATING AREA,  
 150μ" MIN. MATE TIN ON SOLDER TAILS.  
 PACKAGING: TRAY PACKAGING.  
 TEMPERATURE RANGE: -40°C TO +85°C

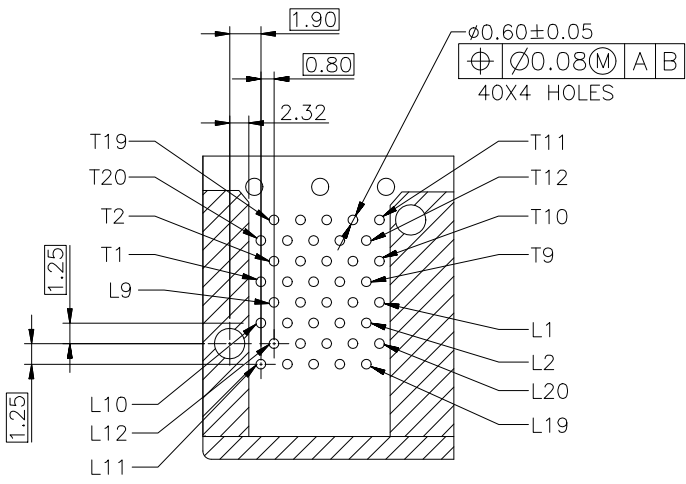
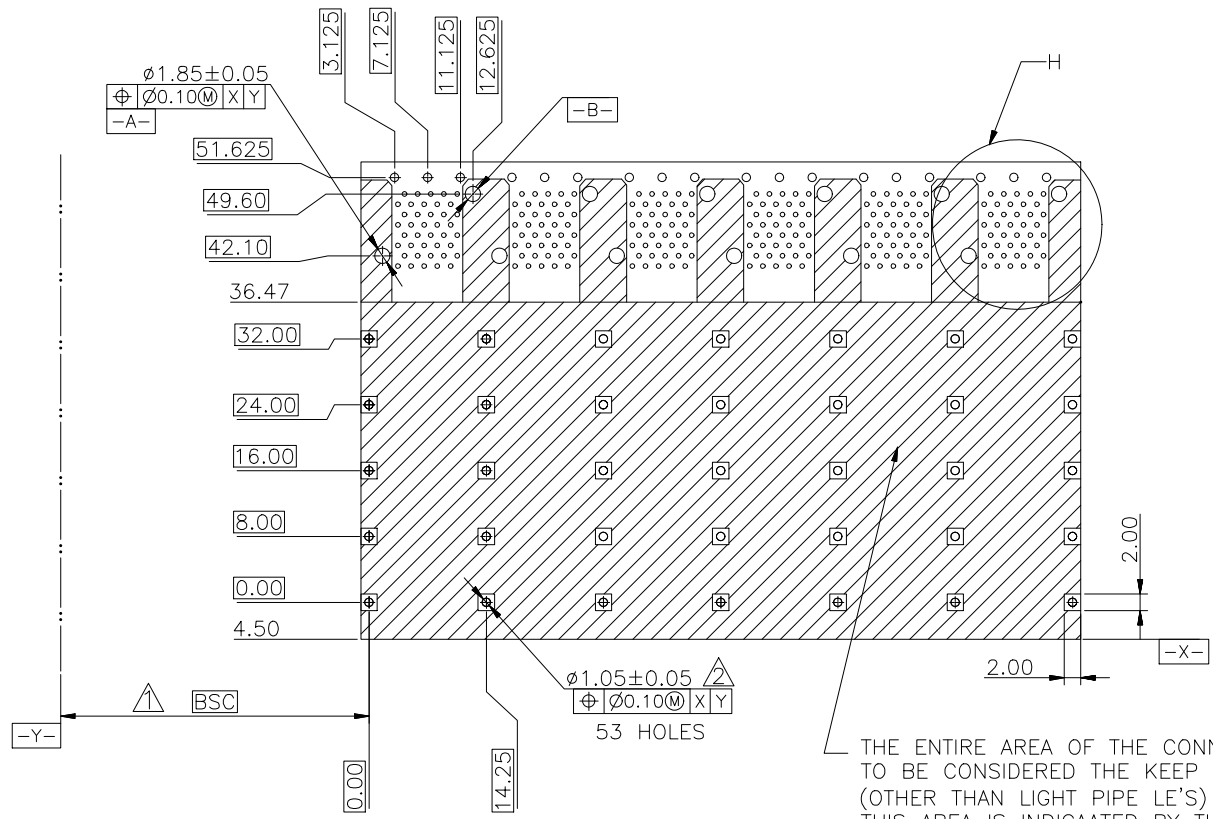


DETAIL A  
1:1

RoHS Compliant

TOLERANCE UNSPECIFIED		<b>VITALCON</b> a vital connector company		FOR YOUR VITAL CONNECTION	
.0	± 0.38			TITLE: SFP2*6 CAGE+CONN	
.00	± 0.25	DRAWN BY: BECKER		PART NO: SC261	REV: A
.000	± 0.10	CHECKED BY: VTA		SIZE: A4	UNIT:mm
ANGLE	± 3.00°	APPROVED BY: QPF		PROJECTION	SHEET:10F3
MANUFACTURING COPY		PROJECTION		http://www.vitalconn.com	

REV.	ECN. NO.	NAME	DATE



THE ENTIRE AREA OF THE CONNECTOR FOOTPRINT TO BE CONSIDERED THE KEEP OUT AREA FOR COMPONENTS (OTHER THAN LIGHT PIPE LE'S) THIS AREA IS INDICATED BY THE AD SHED LINE

RECOMMENDED PCB CONFIGURATION

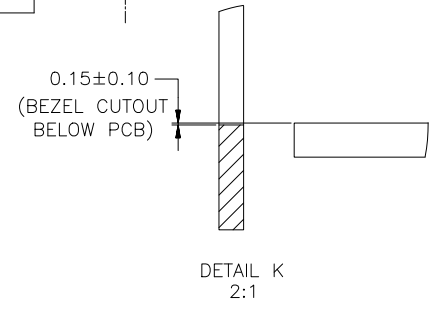
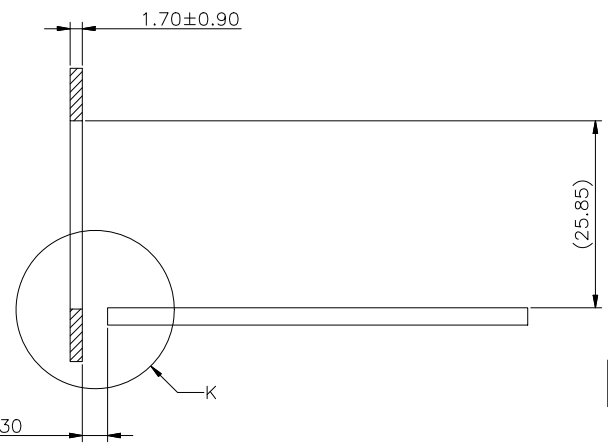
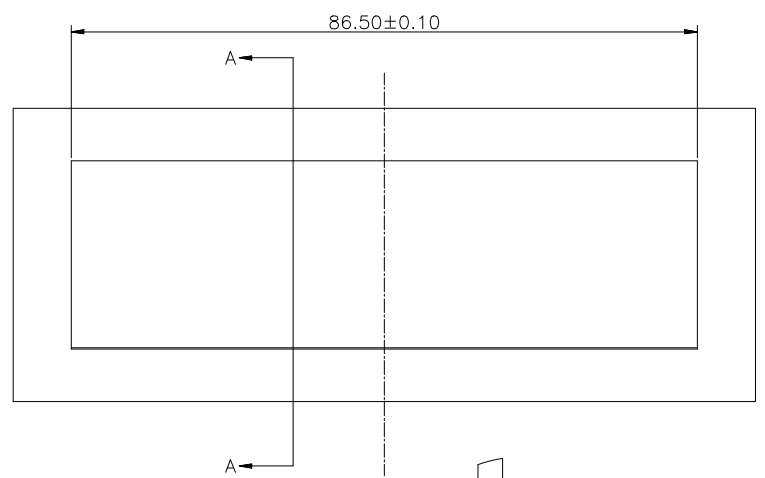
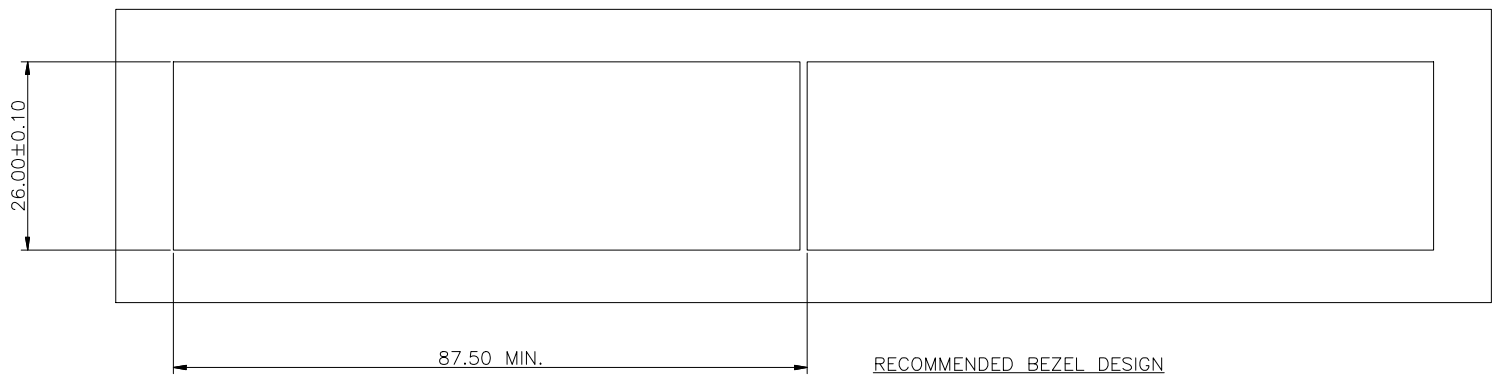
NOTES:

1. DATUM AND BASIC DIMENSIONS ESTABLISHED BY CUSTOMER.
2. 1.05 mm DIAMETER HOLES ARE CHASSIS GROUND.


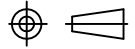
# RoHS Compliant

TOLERANCE UNSPECIFIED		 <b>VITALCON</b> a vital connector company		FOR YOUR VITAL CONNECTION	
.0	± 0.38			TITLE: SFP2*6 CAGE+CONN	
.00	± 0.25	DRAWN BY: BECKER		PART NO: SC261	
.000	± 0.10	CHECKED BY: VTA		UNIT:mm	
ANGLE	± 3.00°	APPROVED BY: QPF		SHEET:20F3	
MANUFACTURING COPY		PROJECTION		 <a href="http://www.vitalconn.com">http://www.vitalconn.com</a>	
REV: A		FCN: A4		REV: A	

REV.	ECN. NO.	NAME	DATE



**RoHS Compliant**

TOLERANCE UNSPECIFIED		 <b>VITALCON</b> a vital connector company		FOR YOUR VITAL CONNECTION	
.0	± 0.38			TITLE: SFP2*6 CAGE+CONN	
.00	± 0.25	DRAWN BY:	BECKER	PART NO:	SC261
.000	± 0.10	CHECKED BY:	VTA	SIZE: A4	UNIT:mm
ANGLE	± 3.00°	APPROVED BY:	QPF	PROJECTION	
MANUFACTURING COPY		SHEET:30F3		<a href="http://www.vitalconn.com">http://www.vitalconn.com</a>	
		REV: A		FCN: A4	