



# Technical Specification for Optical Transceiver Module

## SCM6001

- |  |   |  |
|--|---|--|
| <input checked="" type="checkbox"/> 155.52Mb/s | <input type="checkbox"/> 622.08Mb/s                           | <input type="checkbox"/> other _____                                     |
| <input checked="" type="checkbox"/> Short Haul | <input type="checkbox"/> Long Haul                            | <input type="checkbox"/> other _____                                     |
| <input type="checkbox"/> Intermediate Reach    | <input checked="" type="checkbox"/> Long Reach                | <input type="checkbox"/> other _____                                     |
| <input type="checkbox"/> Single 5.0 V          | <input checked="" type="checkbox"/> Single 3.3 V              | <input type="checkbox"/> other _____                                     |
| <input checked="" type="checkbox"/> 1.3 μm     | <input type="checkbox"/> 1.55 μm                              | <input type="checkbox"/> other _____                                     |
| <input type="checkbox"/> Transmitter           | <input type="checkbox"/> Receiver                             | <input checked="" type="checkbox"/> Transceiver ( 2 X 10 )               |
|  | ( <input type="checkbox"/> 2R / <input type="checkbox"/> 3R ) | ( <input checked="" type="checkbox"/> 2R / <input type="checkbox"/> 3R ) |

Applicable Part Numbers : SCM6001-GL-ZN, SCM6001-GL-CN, SCM6001-GL-DN  
 SCM6001-GL-ZW, SCM6001-GL-CW, SCM6001-GL-DW  
 SCM6001-JL-ZN, SCM6001-JL-CN, SCM6001-JL-DN  
 SCM6001-JL-ZW, SCM6001-JL-CW, SCM6001-JL-DW



Sumitomo Electric reserves the right to make changes in this specification without prior notice.

**#Safety Precaution**    **Symbols** This specification uses various picture symbols to prevent possible injury to operator or other persons or damage to properties for appropriate use of the product. The symbols and definitions are as shown below. Be sure to be familiar with these symbols before reading this specification.

- |  |  |
|--|--|
|  | <b>Warning</b> Wrong operation without following this instruction may lead to human death or serious injury.   |
|  | <b>Caution</b> Wrong operation without following this instruction may lead to human injury or property damage. |

Example of picture symbols



indicates prohibition of actions. Action details are explained thereafter.



indicates compulsory actions or instructions. Action details are explained thereafter.

## 1. General

Features of SCM6001 are listed below.

- \* SDH STM-1 S-1.1 / SONET OC-3 IR-1 Compliant
- \* Power Supply Voltage           Single +3.3V
- \* Compact Package Size           49 X 13.59 X 9.8 mm (max.)
- \* Electrical Interface           LVPECL for DATA and LVTTTL for Signal Detect and Laser Disable
- \* Fiber Coupled Power           -8 ~ -15dBm (Typ. -11dBm) for SMF
- \* Input Power Range           -8 ~ -28dBm (Typ. Sensitivity -35dBm)
- \* Monitor Functions           Laser Bias Monitor, Rear Facet Monitor
- \* Laser Disable Function
- \* Signal Detect (SD) Function
- \* Connector Interface           LC Duplex Receptacle

## 2. Block Diagram

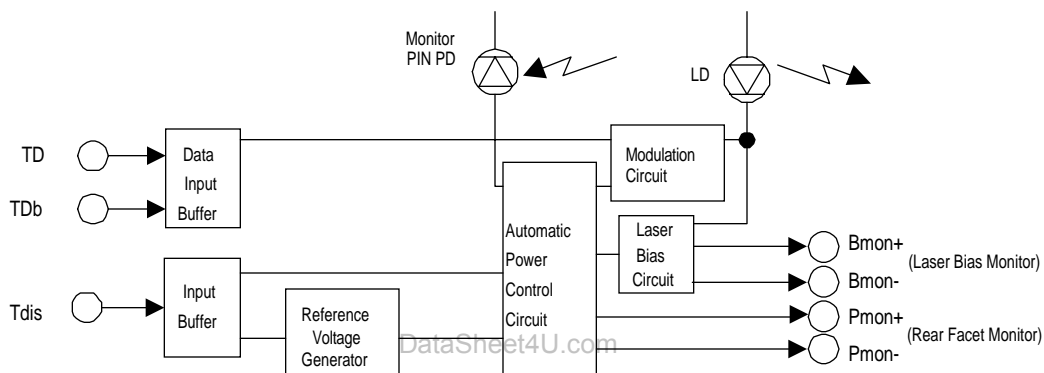


Figure 1. Block Diagram (Transmitter)

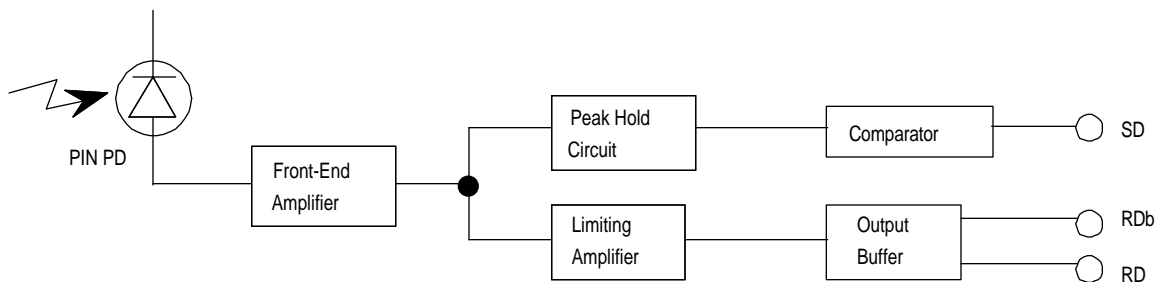


Figure 2. Block Diagram (Receiver)

### ⚠ Caution



Do not disassemble this product. Otherwise, failure, electrical shock, overheating or fire may occur.

Handle the lead pins carefully. Use assisting tools or prospective aids as required. A lead pin may injure skin or human body.

### 3. Package Dimension

#### 3.1 SCM6001-GL-## ( With Housing Leads )

All dimensions are in mm.

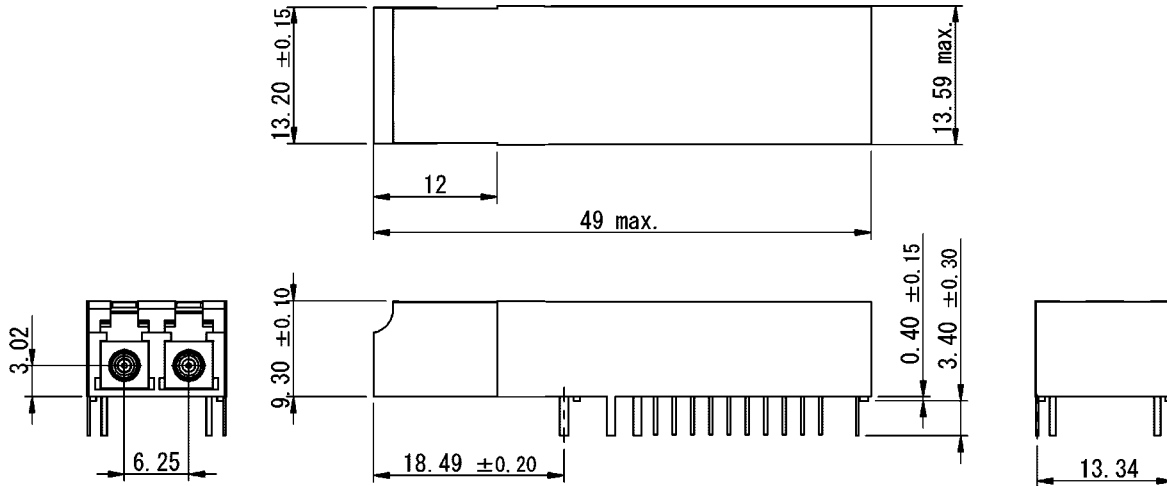
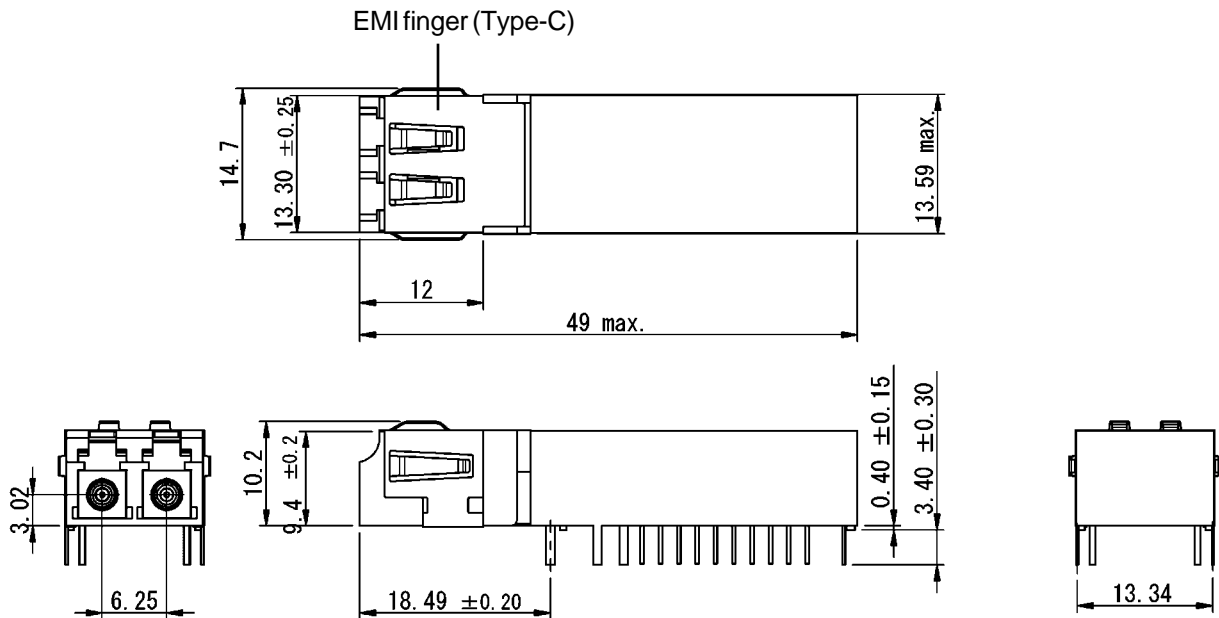


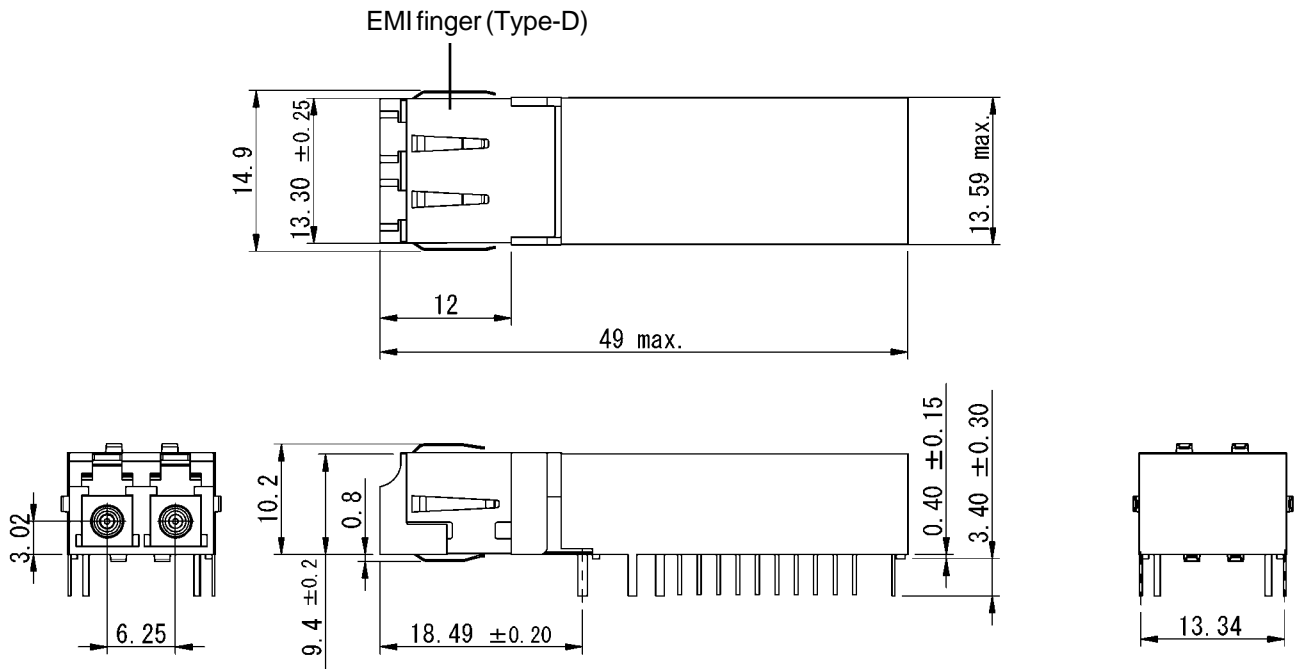
Figure 3. Outline Dimensions (SCM6001-GL-Z#)



Type-C EMI finger is an option for transceivers to be used on the card-edge with the receptacle protruding through a panel opening. It has fingers on three sides to make electrical contact with the sides of the bezel opening for grounding purpose.

Figure 4. Outline Dimensions (SCM6001-GL-C#)

All dimensions are in mm.



Type-D EMI finger is an option for transceivers to be used on the card-edge with the receptacle protruding through a panel opening. It has fingers on four sides to make electrical contact with the sides of the bezel opening for grounding purpose.

Figure 5. Outline Dimensions (SCM6001-GL-D#)

## 3.2 SCM6001-JL-## ( Without Housing Leads )

All dimensions are in mm.

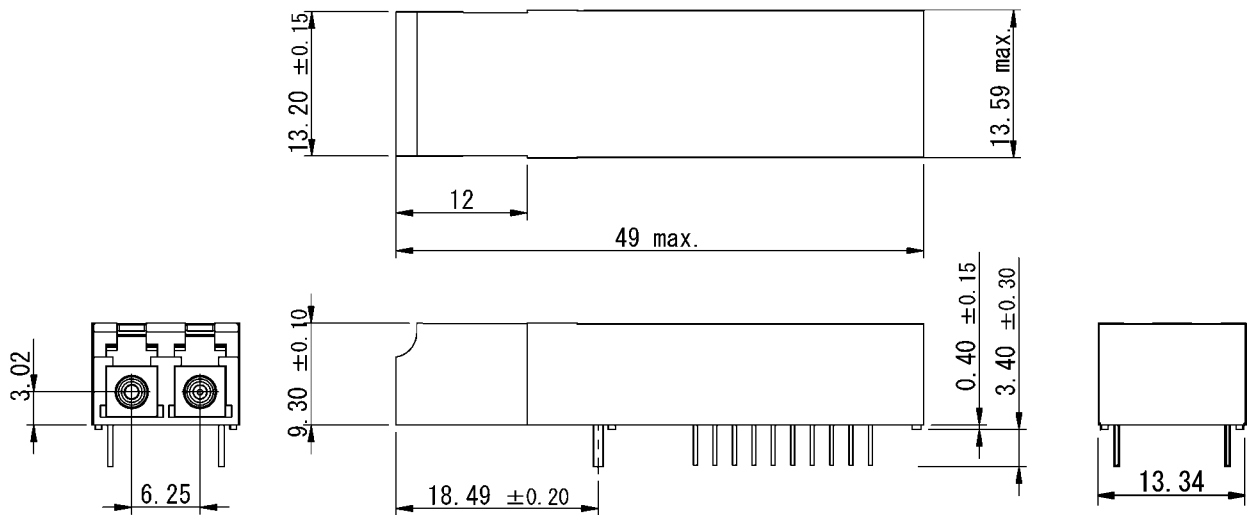
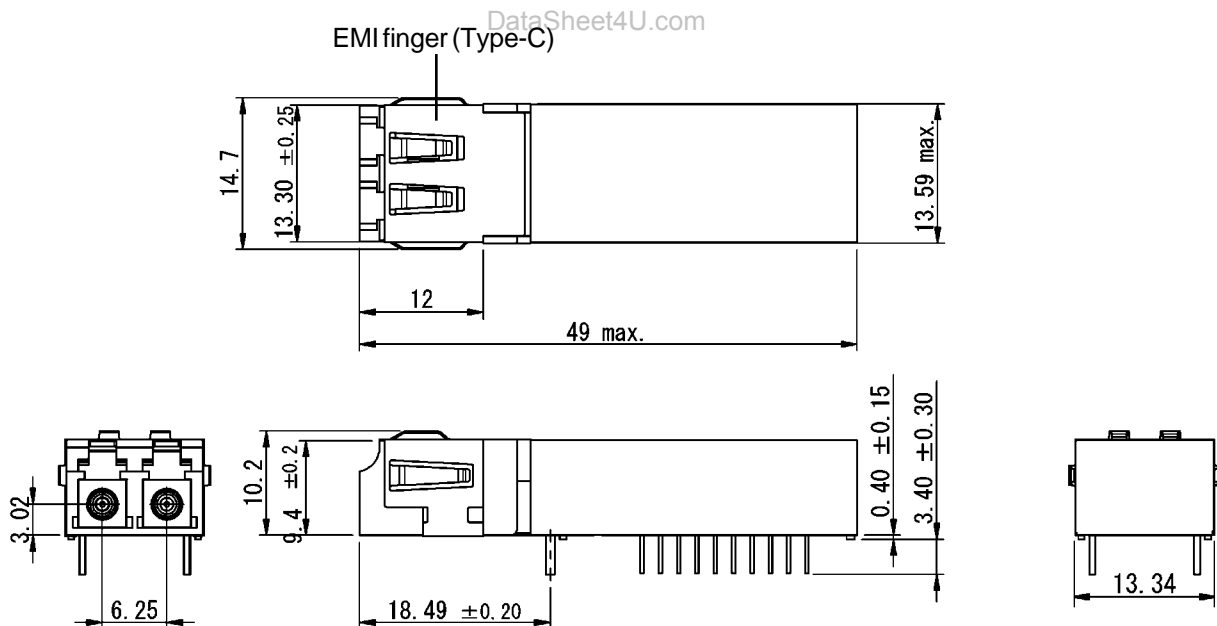


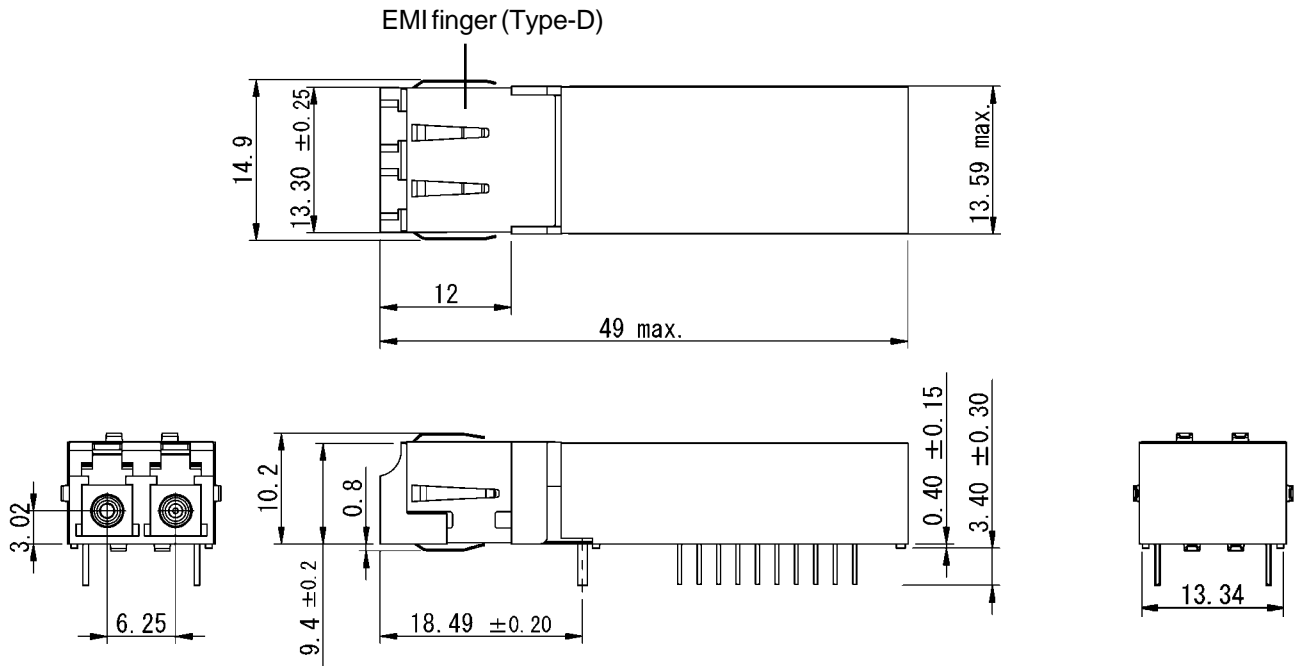
Figure 6. Outline Dimensions (SCM6001-JL-Z#)



Type-C EMI finger is an option for transceivers to be used on the card-edge with the receptacle protruding through a panel opening. It has fingers on three sides to make electrical contact with the sides of the bezel opening for grounding purpose.

Figure 7. Outline Dimensions (SCM6001-JL-C#)

All dimensions are in mm.



Type-D EMI finger is an option for transceivers to be used on the card-edge with the receptacle protruding through a panel opening. It has fingers on four sides to make electrical contact with the sides of the bezel opening for grounding purpose.

Figure 8. Outline Dimensions (SCM6001-JL-D#)

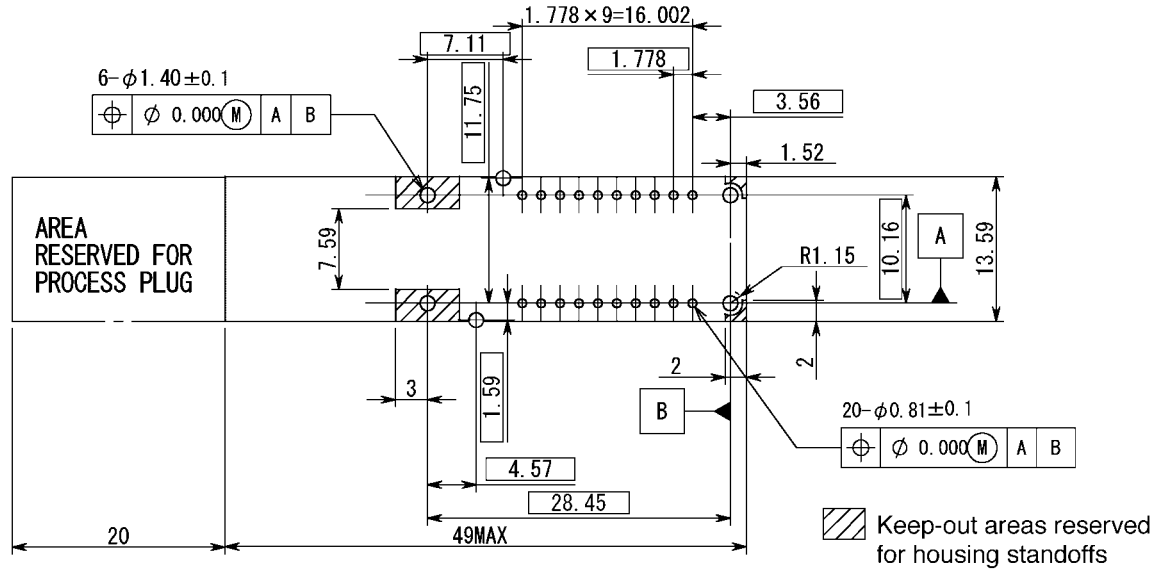


Figure 9. Recommended Footprint

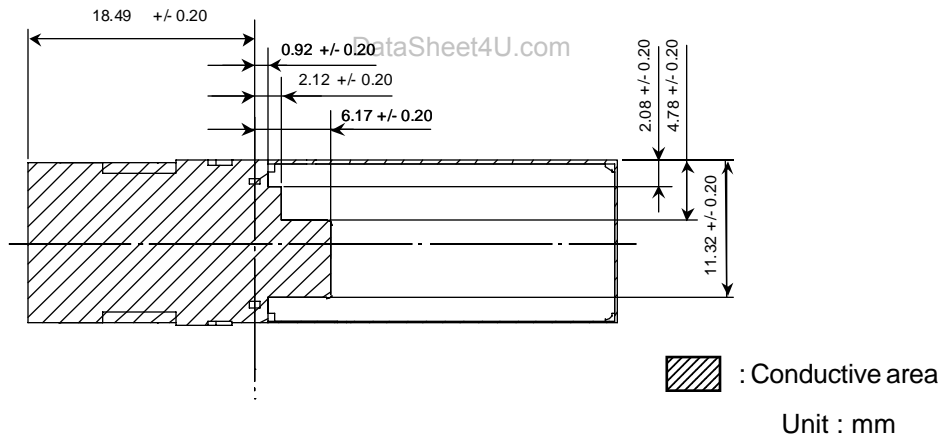


Figure 10. Package Bottom View

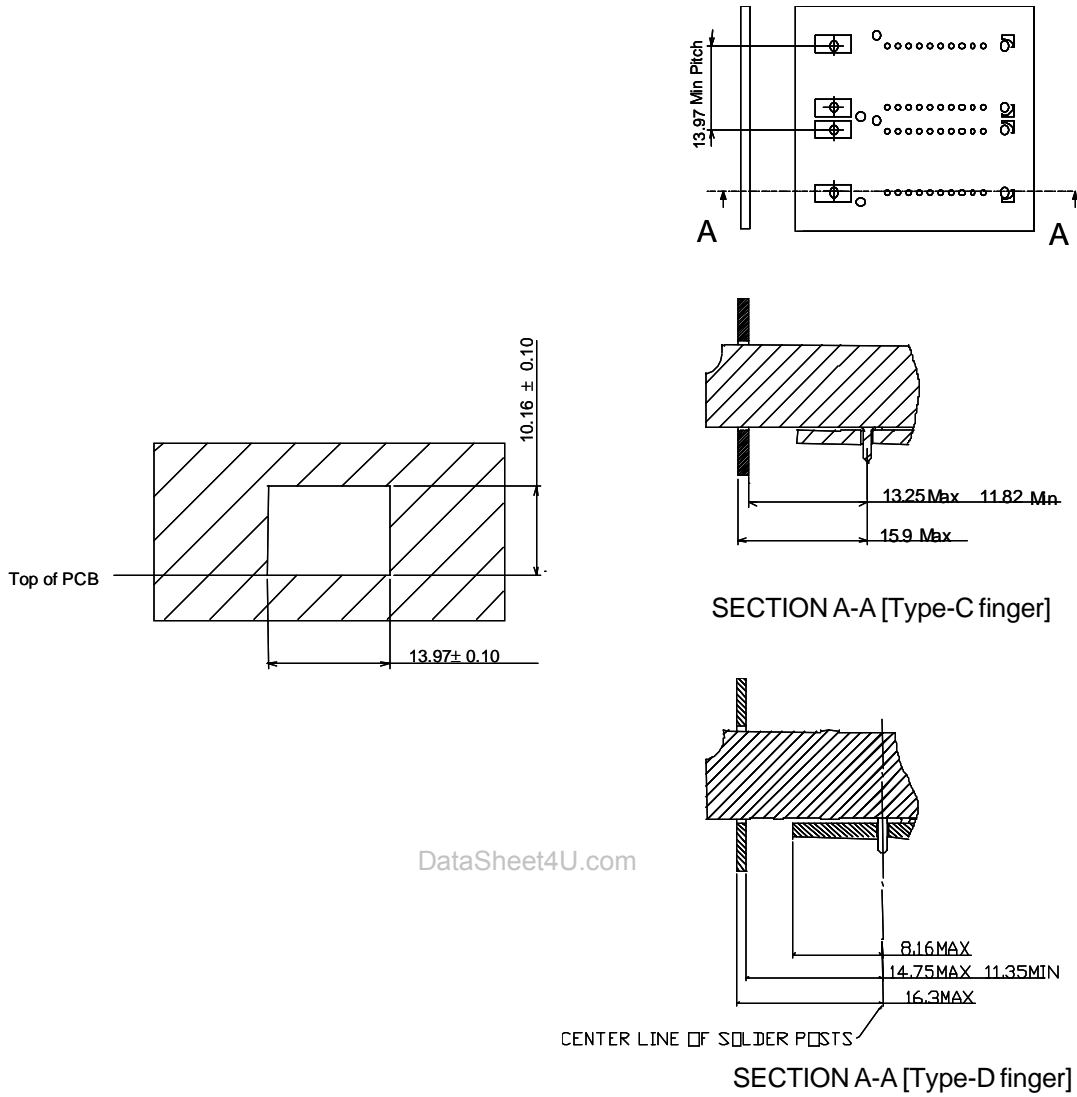


Figure 11. Recommended Bezel Design for Systems Using SFF Transceivers



## 4. Pin Assignment

No.	Symbol	I/O/P <sup>1</sup>	Level	Description
1	VpdR	P	+3.3V DC	DC Bias Supply for Receiver PIN-PD.
2	VeeR	P	GND	Power Supply (-) for Receiver.
3	VeeR	P	GND	Power Supply (-) for Receiver.
4	NC			No User Connection.
5	NC			No User Connection.
6	VeeR	P	GND	Power Supply (-) for Receiver.
7	VccR	P	+3.3V DC	Power Supply (+) for Receiver.
8	SD	O	LVTTTL	Signal Detect. High level indicates presence of optical input signal (Active High).
9	RDb	O	LVPECL	Inverted Receiver Output Data. No internal terminations are provided.
10	RD	O	LVPECL	Non-Inverted Receiver Output Data. No internal terminations are provided.
11	VccT	P	+3.3V DC	Power Supply (+) for Transmitter.
12	VeeT	P	GND	Power Supply (-) for Transmitter.
13	Tdis	I	LVTTTL/LVCMOS	Transmitter Disable (Active High). Defaults to logic 0 (enable TX) when left open.
14	TD	I	LVPECL	Non-Inverted Transmitter Input Data. No internal terminations are provided.
15	TDb	I	LVPECL	Inverted Transmitter Input Data. No internal terminations are provided.
16	VeeT	P	GND	Power Supply (-) for Transmitter.
17	Bmon-	O	Analog Voltage	LD Bias Current Monitor. Voltage difference between pins 17 and 18 is proportional to the laser bias current.
18	Bmon+	O		
19	Pmon-	O	Analog Voltage	Rear Facet Monitor. Transmitter output power can be monitored, in terms of rear facet monitor PD current, by measuring voltage difference between pins 19 and 20.
20	Pmon+	O		

## Notes:

- I/O/P stand for signal input, signal output, and DC power/bias supply, respectively.
- Refer to figure 14 for details of Bmon and Pmon outputs.

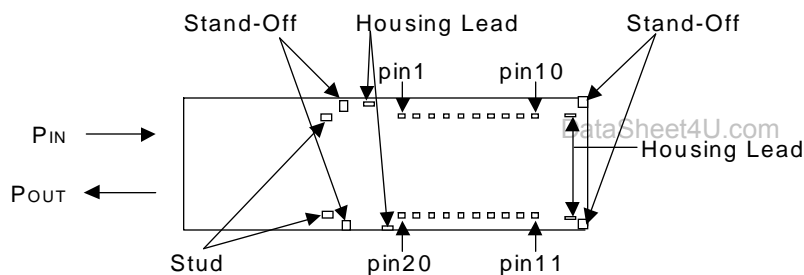


Figure 12. Bottom View

- \* Mounting Studs are provided for mechanical support to the circuit board.

It is recommended that the holes in the circuit board be connected to frame ground.

- \* Housing Leads are internally connected to VeeR and VeeT.

**(SCM6001-JL-## has no Housing Leads.)**

- \* Stand-Offs provide gap between the circuit board and the module to help escape residual water after aqueous wash.

## 5. Absolute Maximum Ratings

Parameter	Symbol	min.	Max	Unit	Note
Storage Case Temperature	Ts	-40	85	°C	1
Operating Case Temperature	Tc	-5	70	°C	2
		-40	85		
Supply Voltage	Vcc	0.0	4.0	V	
Input Voltage	Vi	0	Vcc+0.5	V	4
Lead Soldering Conditions	Temperature		260	°C	5
	Time		10	sec.	

## Notes:

- No condensation allowed.
- SCM6001-#L-#N
- SCM6001-#L-#W
- TD, TDb, Tdis
- Measured on lead pin at 2mm (0.079in.) off the package bottom

### ⚠ Warning

- ⚠ Use the product with the rated voltage described in the specification. If the voltage exceeds the maximum rating, overheating or fire may occur.

### ⚠ Caution

- ⚠ Do not store the product in the area where temperature exceeds the maximum rating, where there is too much moisture or dampness, where there is acid gas or corrosive gas, or other extreme conditions. Otherwise, failure, overheating or fire may occur.

(SCM6001)

## 6. Electrical Interface

( Unless otherwise specified, Vcc = 3.135 to 3.465 V and all operating temperature shall apply. )

### 6-1. Transmitter side

Parameter		Symbol	min.	Typ.	Max.	Unit	Note
Supply Voltage		Vcc-Vee	3.135	3.30	3.465	V	
Supply Current		Idtx		70	140	mA	1, 2, 3
TD, TDb Input Voltage	High	Vih	Vcc-1.17		Vcc-0.73	V	4, 5, 6
	Low	Vil	Vcc-1.95		Vcc-1.45		
TD, TDb Input Current	High	Iih	-10		150	μA	4, 5, 6
	Low	Iil	-10		10		
Signal Input Rise / Fall Time					1.5	nsec.	7
Tdis Input Voltage	High	Vdi	2.0		Vcc	V	8
	Low	VeI	0.0		0.8		
Tdis Input Current	High	Idi	-10	140	200	μA	
LD Bias Monitor Voltage		Vbm	0.01	0.05	0.50	V	2, 9
Rear Facet Monitor Voltage		Vrfm	0.01		0.50	V	2, 9

Notes:

1. Input current is not included.
2. 50% duty cycle data.
3. 155.52Mbps, PRBS2<sup>23</sup>-1, NRZ.
4. Vcc=+3.3V
5. Tc=25°C
6. Input Terminal is biased internally, as shown in the figure 13.
7. 20-80%.
8. LVTTTL input. Refer to Section 8, "Relation between Disable Input Voltage and Optical Output Power", for detail.
9. The Laser Bias Monitor Current and Rear Facet Monitor Current are calculated as ratios between the corresponding voltages and current sensing resistors, 10Ω and 200Ω, as shown in the figure 14.

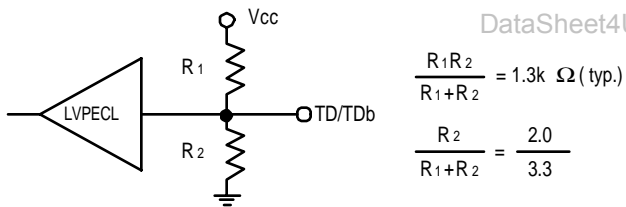


Figure 13. Internal Bias of Input Terminal

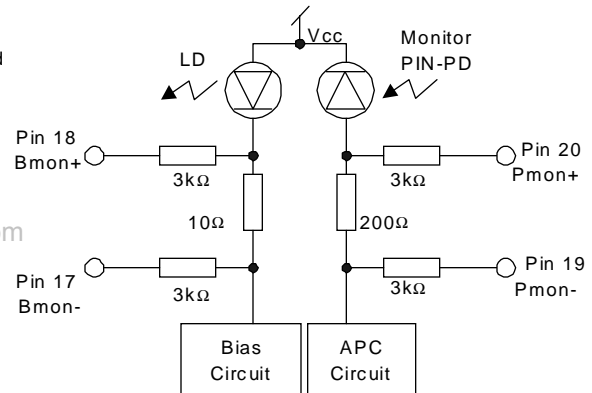


Figure 14. Bmon and Pmon Interface

### 6-2. Receiver side

Parameter		Symbol	min.	Typ.	Max.	Unit	Note
Supply Voltage		Vcc-Vee	3.135	3.30	3.465	V	
Supply Current		Idrx		80	140	mA	1
RD, RDb Output Voltage	High	Vdoh	Vcc-1.10		Vcc-0.86	V	2
	Low	Vdol	Vcc-1.86		Vcc-1.62		
SD Output Voltage	High	Vsoh	2.2		Vcc	V	
	Low	Vsol	0.0		0.5		
Data Rise / Fall Time		Trd / Tfd			1000	psec.	3
SD Assert Time		Ta	2.3		100	μsec	4
SD Deassert Time		Td	2.3		100	μsec	

Notes:

1. Output current is not included. 155.52Mbps, PRBS2<sup>23</sup>-1, NRZ.
2. Vcc=3.3V, Tc=25°C. Output load resistance RL=50Ω to Vcc-2V for RD, RDb.
3. 20-80%.
4. 155.52Mbps, PRBS2<sup>23</sup>-1, NRZ.

## 7. Optical Interface

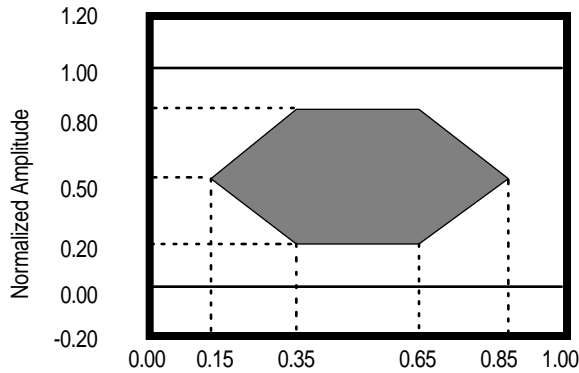
( Unless otherwise specified,  $V_{cc} = 3.135$  to  $3.465$  V and all operating temperature shall apply. )

### 7-1. Transmitter side

Parameter	Symbol	min.	Typ.	Max.	Unit	Note
Average Output Power	$P_o$	-15.0	-11.0	-8.0	dBm	1
Extinction Ratio	$E_r$	8.2			dB	1
Center Wavelength	$\lambda_c$	1261		1360	nm	
Spectral Width (RMS)	$\Delta\lambda$			4.0	nm	
Eye Mask for Optical Output	Compliant with Bellcore GR-253 CORE and ITU G.957					

Notes:

1. Measured at 155.52Mbps PRBS2<sup>23</sup>-1



Relation between Input Signal and Optical Output Signal

Input Signal		Optical Output Signal
TD	TDb	
High	Low	ON (High)
Low	High	OFF (Low)
High	High	Undefined
Low	Low	Undefined

Figure 15. Optical Pulse Mask with Fourth Order Bessel-Thomson Filter Specified in ITU-T G.957

### Warning



Do not look at the laser beam projection area (e.g. end of optical connector) with naked eyes or through optical equipment while the power is supplied to this product. Otherwise, your eyes may be injured.

### 7-2. Receiver side

Parameter	Symbol	min.	Typ.	Max.	Unit	Note
Optical Input Wavelength	-	1261		1580	nm	
Minimum Sensitivity	$P_{min}$		-35.0	-28.0	dBm	1, 2
Overload	$P_{max}$	-8.0			dBm	1, 2
SD Assert Level	$P_a$	-45.0		-28.0	dBm	2
SD Deassert Level	$P_d$	-45.0		-29.0	dBm	
SD Hysteresis	Phys	1.0		6.0	dB	

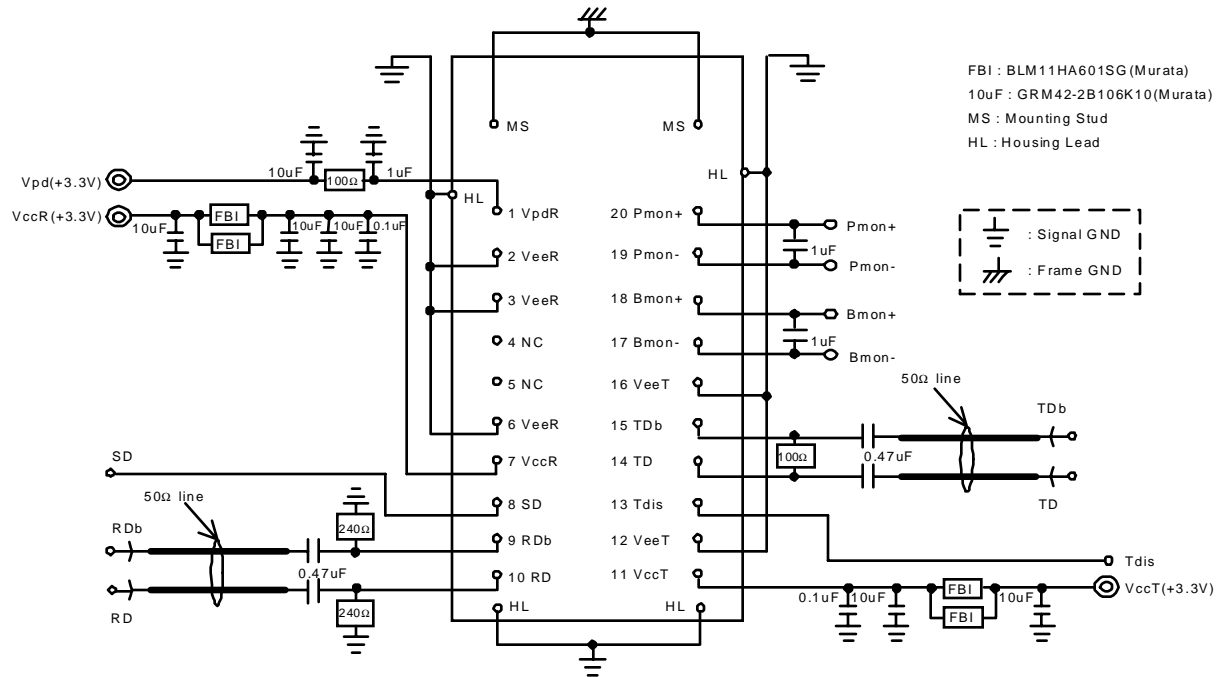
Notes:

1. BER=10<sup>-10</sup>
2. Measured at the bit rate of 155.52Mbps, PRBS 2<sup>23</sup>-1, NRZ

## 8. Relation between Disable Input Voltage and Optical Output Power

Tdis Input Voltage	Optical Output Power
"L"(0 ~ 0.8V)	Enabled
"H"(2.0V ~ Vcc)	Disabled (<-45dBm)
Open	Enabled

### 9. Recommended Interface Circuit



- Notes:
- (1) Components on RD/RDb lines, 240  $\Omega$  and 0.47 $\mu$ F, should be placed as close as possible to module pins.
  - (2) 0.1 $\mu$ F capacitors on VccR/VccT lines should be as close as possible to module pins.
  - (3) 50 $\Omega$  line pattern and component placements on RD/RDb and TD/TDb lines should be symmetrical for better impedance matching.
  - (4) HL is internally connected to VeeR and VeeT.
- (SCM6001-JL-## has no Housing Leads.)**

Figure 16. Recommended Interface Circuit

## 10. Reliability Test Program

GR-468-CORE Issue 1, December 1998 Laser Module

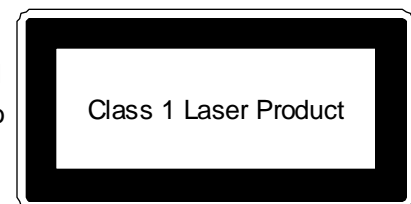
HEADING	TEST	REFERENCE	CONDITIONS	SAMPLING		
				LTPD	SS	C
Mechanical Integrity	Mechanical Shock	MIL-STD-883 Method 2002	5 times/axis w/o TEC 1,500G, 0.5ms	20	11	0
	Vibration	MIL-STD-883 Method 2007	Cond. A 20G, 20-2,000 Hz, 4min/cy, 4cy/axis	20	11	0
	Thermal Shock	MIL-STD-883 Method 1011	Delta T=100degC 0degC to 100degC	20	11	0
	Solderability	MIL-STD-883 Method 2003	(steam aging not required)	20	11	0
Endurance	Accel. Aging (High Temp.)	(R)-4-53 Section 5.18	85degC; rated power 2,000 hrs. for pass/fail 5,000 hrs. for info.	-	25 10	-
	High Temp. Storage	-	max. storage T 2,000 hrs.	20	11	0
	Low Temp. Storage	-	min. storage T 2,000 hrs.	20	11	0
	Temperature Cycling	Section 5.20	-40degC to +85degC 500 for pass/fail 1,000 for info.	20 -	11 11	0 -
	Damp Heat	MIL-STD-202 Method 103 or IEC-68-2-3	85degC/85%RH 1,000hrs. or 50degC/85%RH, 3,500 hrs.	20	11	0
	Cyc. Moist., Res.	Sec. 5.23	-	20	11	0
Special Tests	Internal Moisture	MIL-STD-883 Method 1018	Max. 5,000ppm water vapour	20	11	0
	ESD Threshold	Section 5.22	-	-	6	-

SS : Sample Size

C : Maximum number of failure allowed to pass the test.

## 11. Laser Safety

This product uses a semiconductor laser system and is a laser class 1 product acceptable FDA, complies with 21CFR 1040. 10 and 1040.11. Also this product is a laser class 1 product acceptable IEC 825-1.



### ⚠ Caution



If this product is used under conditions not recommended in the specification or this product is used with unauthorized revision, classification for laser product safety standard is invalid. Classify the product again at your responsibility and take appropriate actions.

## 12. Other Precaution

Under such a strong vibration environment as in automobile, the performance and reliability are not guaranteed.

The governmental approval is required to export this product to other countries. To dispose of these components, the appropriate procedure should be taken to prevent illegal exportation.

This module must be handled, used and disposed of according to your company's safe working practice.

<b>⚠ Warning</b>	
<b>!</b>	Be sure to carry out correct soldering for connection to peripheral circuits in order to prevent contact failure or short-circuit. Otherwise, a strong laser beam may cause eye injury, overheating or fire.
<b>⊘</b>	Do not put this product or components of this product into your mouth. This product contains material harmful to health.

<b>⚠ Caution</b>	
<b>!</b>	Be sure to turn the power off when you touch this product connected to the printed circuit boards. Otherwise, electric shock may occur.
<b>⊘</b>	Dispose this product or equipment including this product properly as an industrial waste according to the regulations.

## 13. Ordering Information

SCM6001 -  L -   ( LC Duplex Receptacle, Metallized )

Operating Case Temperature

N : T<sub>c</sub> = -5 ~ 70 °C

W : T<sub>c</sub> = -40 ~ 85 °C

EMI Shield Finger Option

Z : Without Finger

C : With Type-C Finger

D : With Type-D Finger

Housing Lead Option

G : With Housing Leads

J : Without Housing Leads

## 14. For More Information

### U.S.A.

ExcelLight Communications, 4021 Stirrup Creek Drive, Suite 200 Durham, NC 27703

Tel. +1-919-361-1600 / Fax. +1-919-361-1619

E-mail: [info@excelight.com](mailto:info@excelight.com)

<http://www.excelight.com>

### Europe

Sumitomo Electric Europe Ltd., 220, Centennial Park, Elstree, Herts, WD6 3SL, United Kingdom

Tel.+44-208-953-8681

Fax.+44-208-207-5950

E-mail: [photonics@sumielectric.com](mailto:photonics@sumielectric.com)

<http://www.sumielectric.com>

### Japan

Sumitomo Electric Industries, Ltd. ( International Business Division ), 3-12, Moto-Akasaka 1-chome  
Minato-ku Tokyo 107-8468

Tel. +81-3-3423-5771 / Fax. +81-3-3423-5099

E-mail: [product-info@ppd.sei.co.jp](mailto:product-info@ppd.sei.co.jp)

[http://www.sei.co.jp/Electro-optic/index\\_e.html](http://www.sei.co.jp/Electro-optic/index_e.html)