



# Technical Specification for Optical Transceiver Module

## SCM6002

- |  |   |  |
|--|---|--|
| <input type="checkbox"/> 155.52Mb/s            | <input checked="" type="checkbox"/> 622.08Mb/s                | <input type="checkbox"/> other _____                                     |
| <input checked="" type="checkbox"/> Short Haul | <input type="checkbox"/> Long Haul                            | <input type="checkbox"/> other _____                                     |
| <input type="checkbox"/> Intermediate Reach    | <input type="checkbox"/> Long Reach                           | <input type="checkbox"/> other _____                                     |
| <input type="checkbox"/> Single 5.0 V          | <input checked="" type="checkbox"/> Single 3.3 V              | <input type="checkbox"/> other _____                                     |
| <input checked="" type="checkbox"/> 1.3 μm     | <input type="checkbox"/> 1.55 μm                              | <input type="checkbox"/> other _____                                     |
| <input type="checkbox"/> Transmitter           | <input type="checkbox"/> Receiver                             | <input checked="" type="checkbox"/> Transceiver ( 2 X 10 )               |
|  | ( <input type="checkbox"/> 2R / <input type="checkbox"/> 3R ) | ( <input checked="" type="checkbox"/> 2R / <input type="checkbox"/> 3R ) |

Applicable Part Numbers : SCM6002-GL-ZN, SCM6002-GL-CN, SCM6002-GL-DN  
 SCM6002-GL-ZW, SCM6002-GL-CW, SCM6002-GL-DW  
 SCM6002-JL-ZN, SCM6002-JL-CN, SCM6002-JL-DN  
 SCM6002-JL-ZW, SCM6002-JL-CW, SCM6002-JL-DW



Sumitomo Electric reserves the right to make changes in this specification without prior notice.

**#Safety Precaution**    **Symbols** This specification uses various picture symbols to prevent possible injury to operator or other persons or damage to properties for appropriate use of the product. The symbols and definitions are as shown below. Be sure to be familiar with these symbols before reading this specification.

- |  |  |
|--|--|
|  | <b>Warning</b> Wrong operation without following this instruction may lead to human death or serious injury.   |
|  | <b>Caution</b> Wrong operation without following this instruction may lead to human injury or property damage. |

Example of picture symbols

indicates prohibition of actions. Action details are explained thereafter.

indicates compulsory actions or instructions. Action details are explained thereafter.

## 1. General

Features of SCM6002 are listed below.

- \* SDH STM-4 S-4.1 / SONET OC-12 IR-1 Compliant
- \* Power Supply Voltage           Single +3.3V
- \* Compact Package Size           49.0 X 13.59 X 9.8 mm (max.)
- \* Electrical Interface           LVPECL for DATA, LVTTTL for Signal Detect and Laser Disable
- \* Fiber Coupled Power           -8 ~ -15dBm (Typ. -11dBm) into SMF
- \* Input Power Range           -8 ~ -28dBm (Typ. Sensitivity -33dBm)
- \* Monitor Functions           Laser Bias Monitor, Rear Facet Monitor
- \* Laser Disable Function
- \* Signal Detect (SD) Function
- \* Connector Interface           LC Duplex Receptacle

## 2. Block Diagram

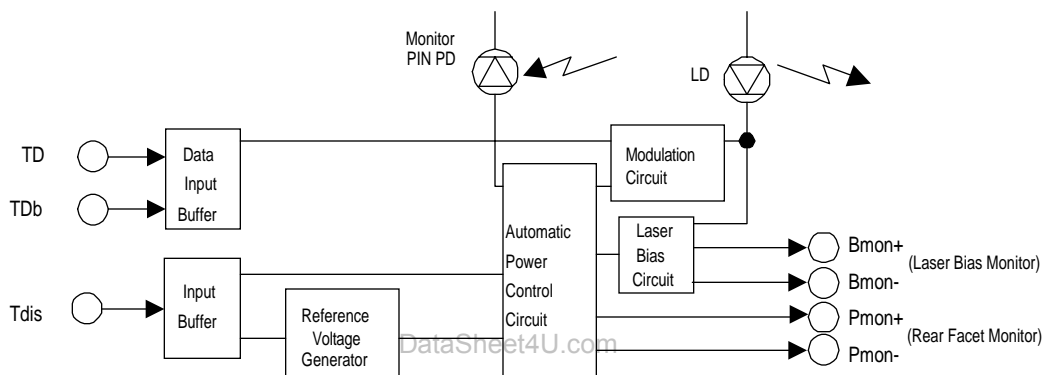


Figure 1. Block Diagram ( Transmitter )

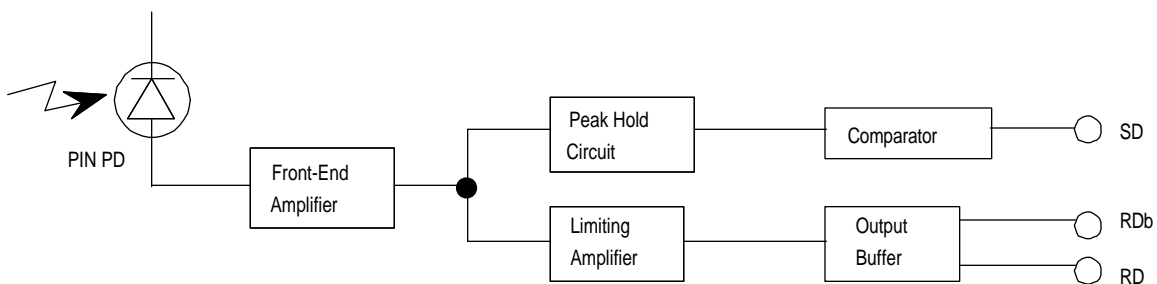


Figure 2. Block Diagram ( Receiver )

### ⚠ Caution



Do not disassemble this product. Otherwise, failure, electrical shock, overheating or fire may occur.

Handle the lead pins carefully. Use assisting tools or prospective aids as required. A lead pin may injure skin or human body.

### 3. Package Dimension

#### 3.1 SCM6002-GL-## ( With Housing Leads )

All dimensions are in mm.

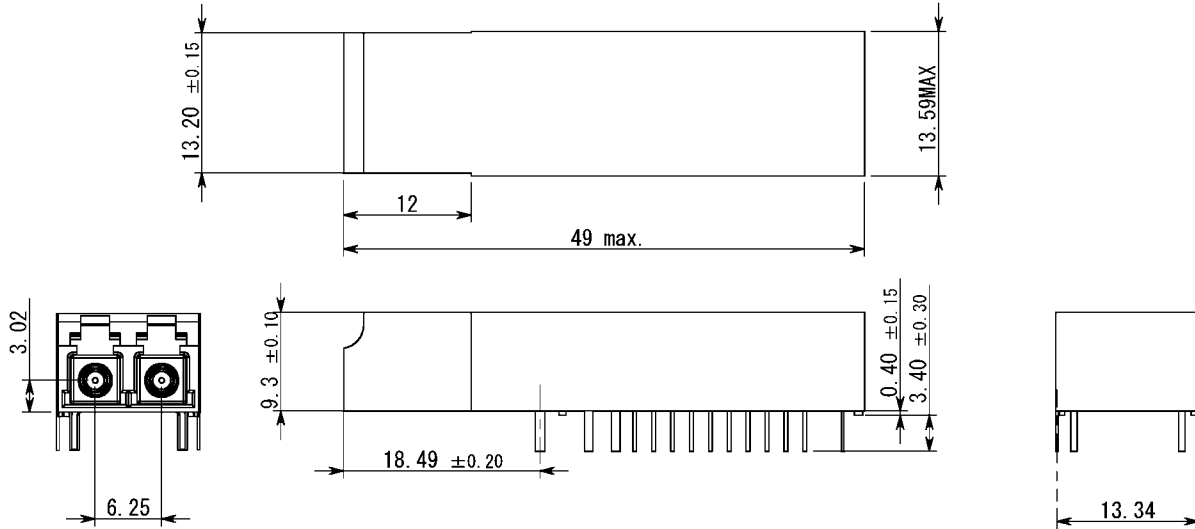
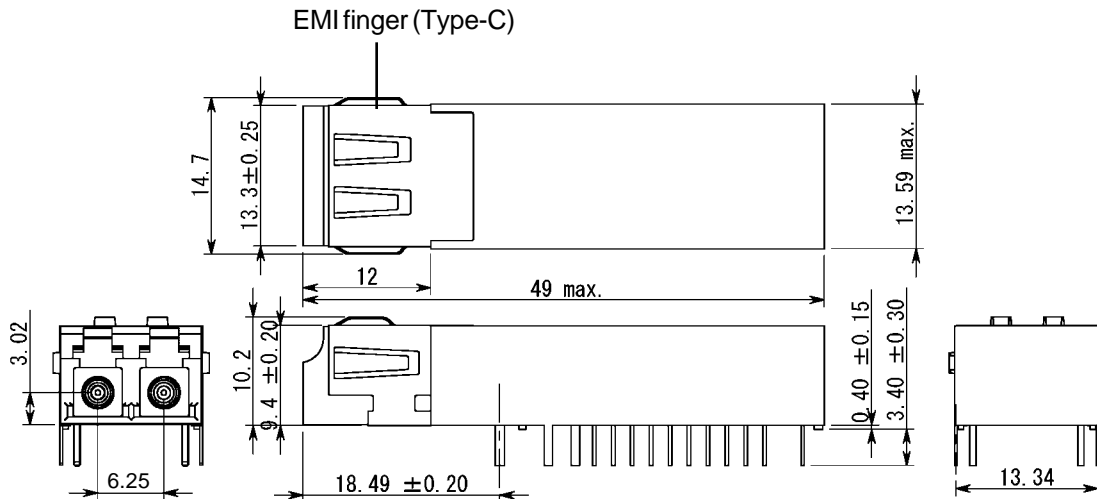


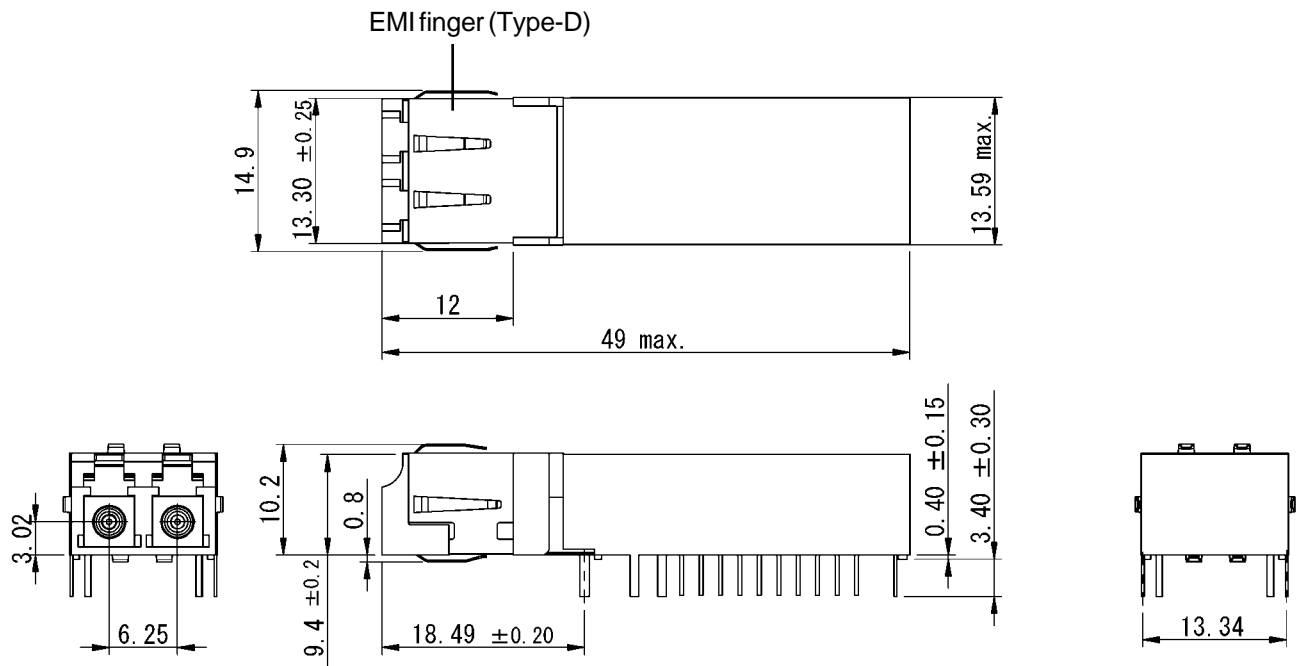
Figure 3. Outline Dimensions(SCM6002-GL-Z#)



Type-C EMI finger is an option for transceivers to be used on the card-edge with the receptacle protruding through a panel opening. It has fingers on three sides to make electrical contact with the sides of the bezel opening for grounding purpose.

Figure 4. Outline Dimensions (SCM6002-GL-C#)

All dimensions are in mm.



Type-D EMI finger is an option for transceivers to be used on the card-edge with the receptacle protruding through a panel opening. It has fingers on four sides to make electrical contact with the sides of the bezel opening for grounding purpose.

Figure 5. Outline Dimensions (SCM6002-GL-D#)

### 3.2 SCM6002-JL-## ( Without Housing Leads )

All dimensions are in mm.

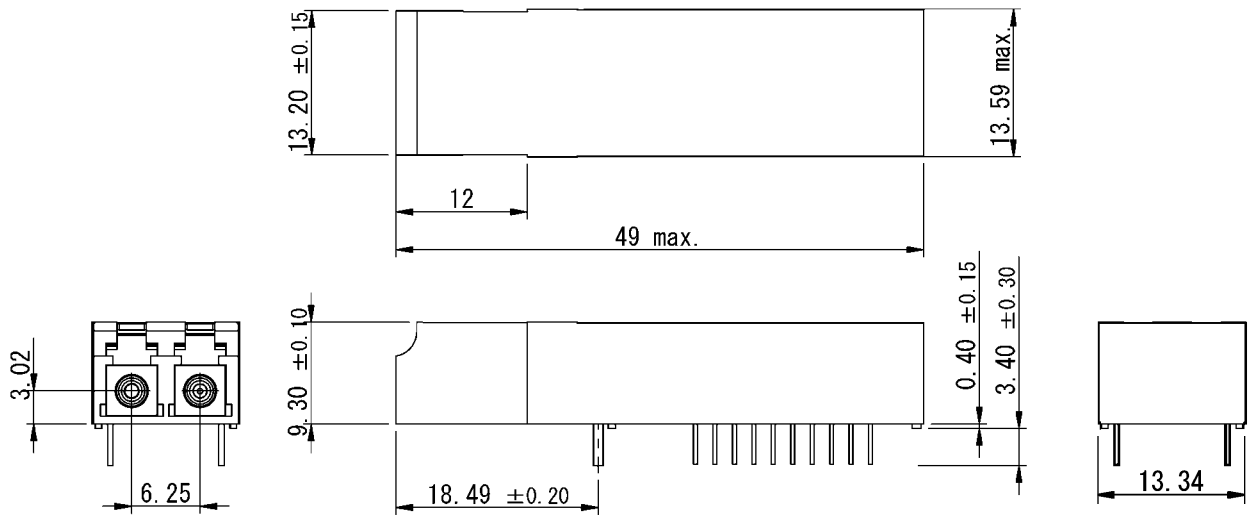
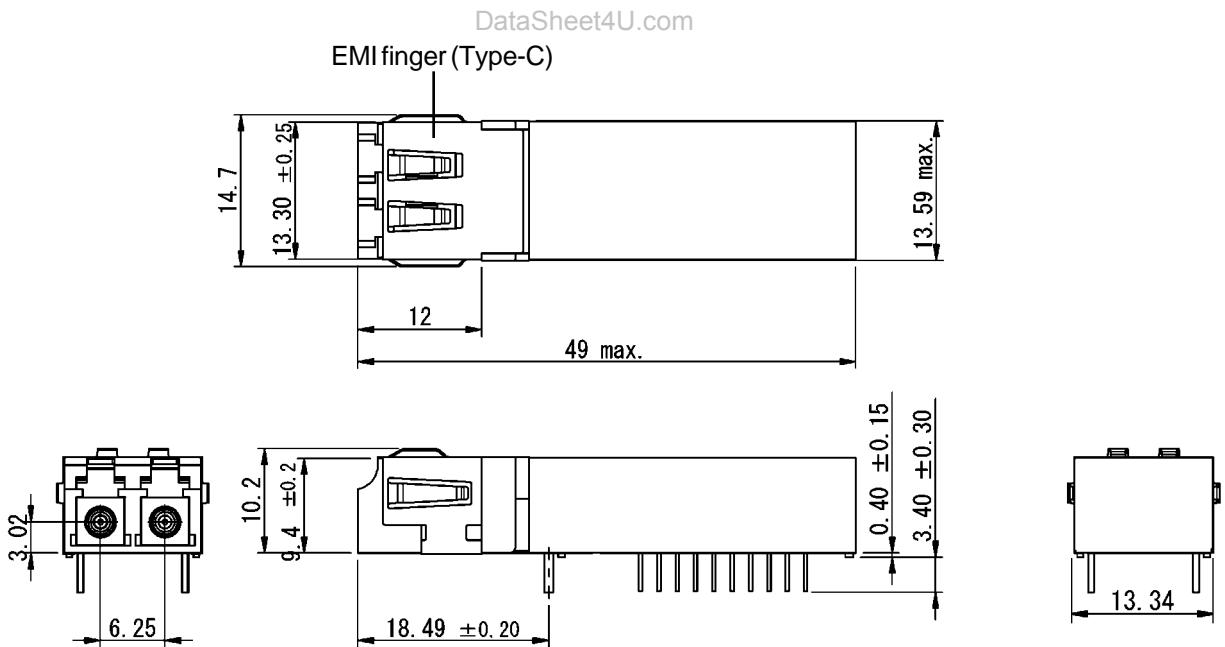


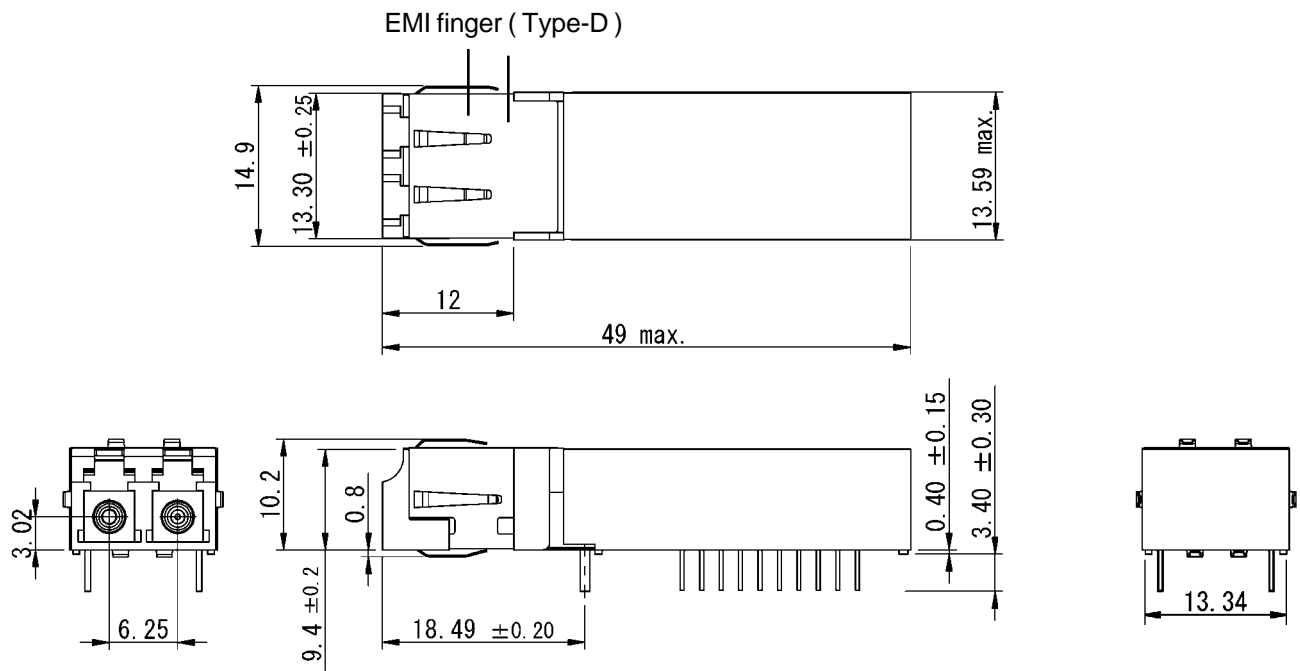
Figure 6. Outline Dimensions (SCM6002-JL-Z#)



Type-C EMI finger is an option for transceivers to be used on the card-edge with the receptacle protruding through a panel opening. It has fingers on three sides to make electrical contact with the sides of the bezel opening for grounding purpose.

Figure 7. Outline Dimensions (SCM6002-JL-C#)

All dimensions are in mm.



Type-D EMI finger is an option for transceivers to be used on the card-edge with the receptacle protruding through a panel opening. It has fingers on four sides to make electrical contact with the sides of the bezel opening for grounding purpose.

Figure 8. Outline Dimensions (SCM6002-JL-D#)

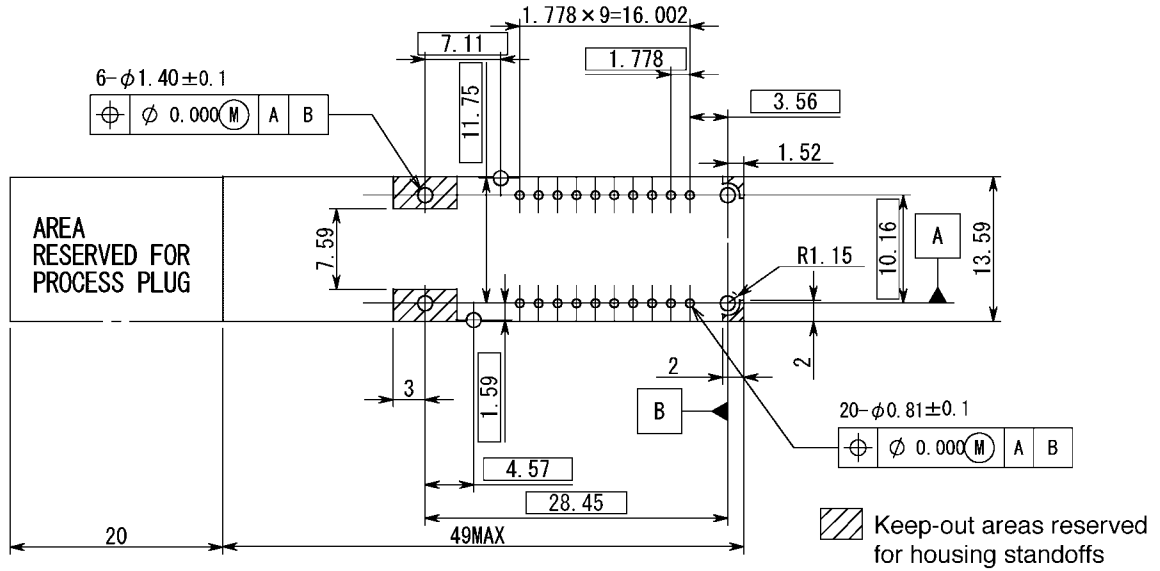


Figure 9. Recommended Footprint

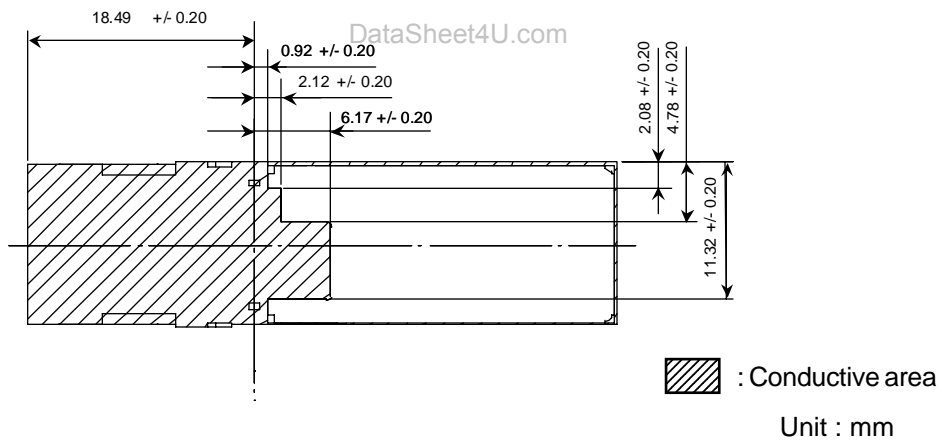


Figure 10. Package Bottom View

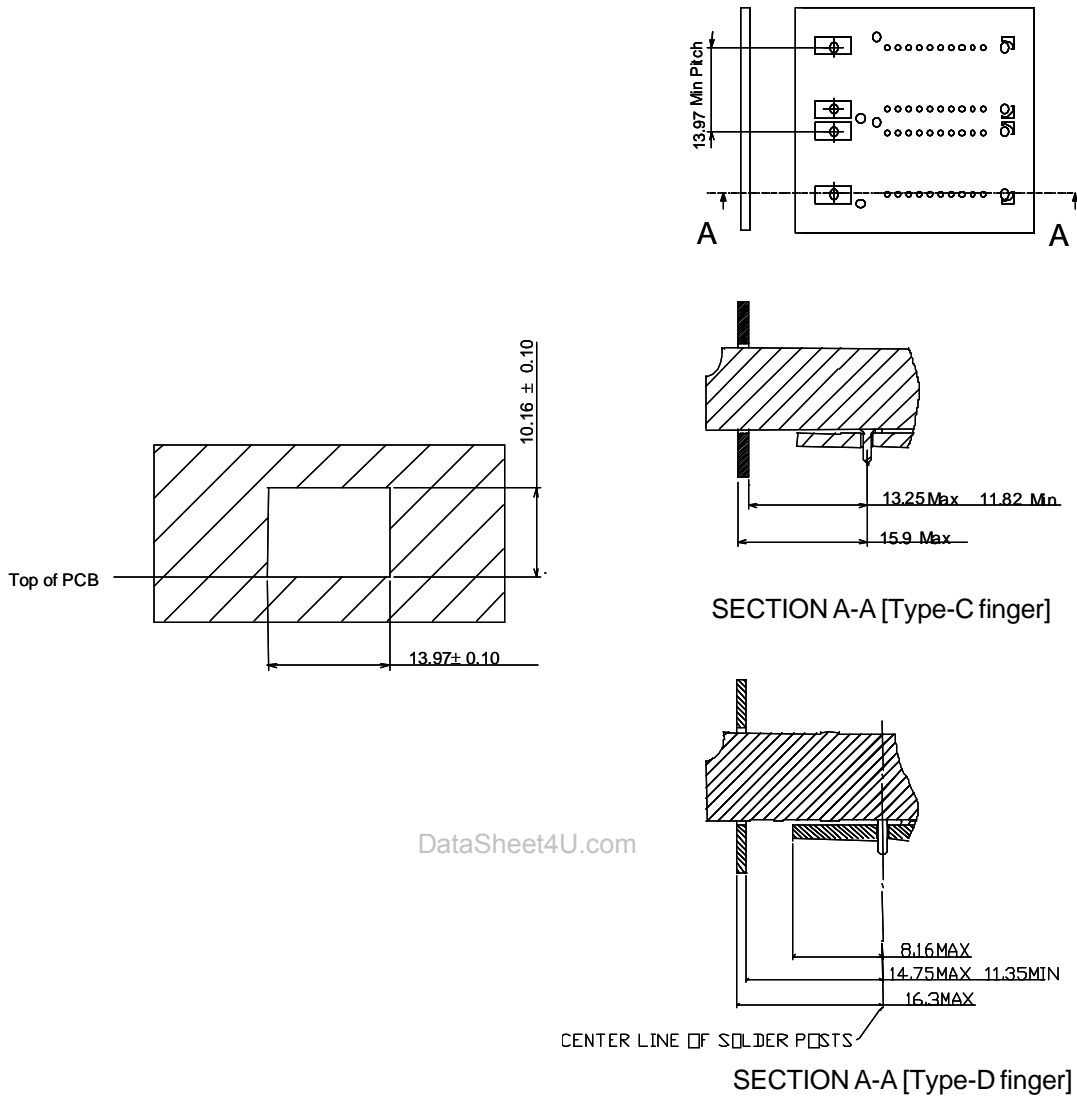


Figure 11. Recommended Bezel Design for Systems Using SFF Transceivers



## 4. Pin Assignment

No.	Symbol	I/O/P <sup>1</sup>	Level	Description
1	VpdR	P	+3.3V DC	<b>DC Bias Supply for Receiver PIN-PD.</b>
2	VeeR	P	GND	<b>Power Supply (-) for Receiver.</b>
3	VeeR	P	GND	<b>Power Supply (-) for Receiver.</b>
4	NC			<b>No User Connections.</b>
5	NC			<b>No User Connections.</b>
6	VeeR	P	GND	<b>Power Supply (-) for Receiver.</b>
7	VccR	P	+3.3V DC	<b>Power Supply (+) for Receiver.</b>
8	SD	O	LVTTTL	<b>Signal Detect.</b> High level indicates presence of optical input signal (Active High).
9	RDb	O	LVPECL	<b>Inverted Receiver Output Data.</b> No internal terminations are provided.
10	RD	O	LVPECL	<b>Non-Inverted Receiver Output Data.</b> No internal terminations are provided.
11	VccT	P	+3.3V DC	<b>Power Supply (+) for Transmitter.</b>
12	VeeT	P	GND	<b>Power Supply (-) for Transmitter.</b>
13	Tdis	I	LVTTTL/LVCMOS	<b>Transmitter Disable (Active High).</b> Defaults to logic 0 (enable TX) when left open.
14	TD	I	LVPECL	<b>Non-Inverted Transmitter Input Data.</b> Self biased. Not internally terminated.
15	TDb	I	LVPECL	<b>Inverted Transmitter Input Data.</b> Self biased. Not internally terminated.
16	VeeT	P	GND	<b>Power Supply (-) for Transmitter.</b>
17	Bmon-	O	Analog Voltage	<b>LDBias Current Monitor.</b> Voltage difference between pins 17 and 18 is proportional to the laser bias current.
18	Bmon+	O	Analog Voltage	
19	Pmon-	O	Analog Voltage	<b>Rear Facet Monitor.</b> Transmitter output power can be monitored, in terms of rear facet monitor PD current, by measuring voltage difference between pins 19 and 20.
20	Pmon+	O	Analog Voltage	

### Notes:

- I/O/P stands for signal input, signal output, and DC power/bias supply, respectively.
- Refer to figure 14 for details of Bmon and Pmon outputs.

\* Mounting Studs are provided for mechanical support to the circuit board.

It is recommended that the holes in the circuit board be connected to frame ground.

\* Housing Leads are internally connected to VeeR and VeeT.

**(SCM6002-JL-## has no Housing Leads.)**

\* Stand-Offs provide gap between the circuit board and the module to help escape residual water after aqueous wash.

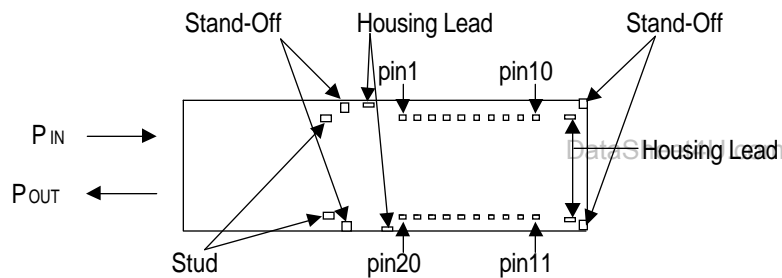


Figure 12. Bottom View

## 5. Absolute Maximum Ratings

Parameter	Symbol	min.	Max	Unit	Note
Storage Case Temperature	Ts	-40	85	°C	1
Operating Case Temperature	Tc	-5	70	°C	2
		-40	85		3
Supply Voltage	Vcc	0.0	4.0	V	
Input Voltage	Vi	0	Vcc+0.5	V	4
Lead Soldering Conditions	Temperature	Ltemp	260	°C	5
	Time	Ltime	10	sec.	

### Notes:

- No condensation allowed.
- SCM6002-#L-#N
- SCM6002-#L-#W
- TD, TDb, Tdis
- Measured on lead pin at 2mm (0.079in.) off the package bottom

### ⚠ Warning

❗ Use the product with the rated voltage described in the specification. If the voltage exceeds the maximum rating, overheating or fire may occur.

### ⚠ Caution

⚠ Do not store the product in the area where temperature exceeds the maximum rating, where there is too much moisture or dampness, where there is acid gas or corrosive gas, or other extreme conditions. Otherwise, failure, overheating or fire may occur.

(SCM6002)

## 6. Electrical Interface

( Unless otherwise specified, Vcc-Vee = 3.135 to 3.465 V and all operating temperature shall apply. )

### 6-1. Transmitter side

Parameter	Symbol	min.	Typ.	Max.	Unit	Note
Supply Voltage	Vcc-Vee	3.135	3.30	3.465	V	
Supply Current	I <sub>dtx</sub>		70	150	mA	1, 2, 3
TD, TDb Input Voltage	High	V <sub>ih</sub>	V <sub>cc</sub> -1.17	V <sub>cc</sub> -0.73	V	4, 5, 6
	Low	V <sub>il</sub>	V <sub>cc</sub> -1.95	V <sub>cc</sub> -1.45	V	
Signal Input Rise / Fall Time				0.5	nsec.	7
Tdis Input Voltage	High	V <sub>di</sub>	2.00	V <sub>cc</sub>	V	8
	Low	V <sub>ei</sub>	0.0	0.80	V	
Tdis Input Current	High	I <sub>di</sub>	-10	140	μA	
LD Bias Monitor Voltage	V <sub>bm</sub>	0.01	0.05	0.50	V	2, 9
Rear Facet Monitor Voltage	V <sub>r<sub>fm</sub></sub>	0.01		0.50	V	2, 9

Notes:

1. Input bias current is not included. 2. 50% duty cycle data. 3. 622.08Mbps, PRBS2<sup>23</sup>-1, NRZ. 4. V<sub>cc</sub>=+3.3V.

5. T<sub>c</sub>=25°C.

6. Input Terminal is biased internally, as shown in the figure13. 7. 20-80%.

8. LVTTTL input. Refer to Section 8, "Relation between Disable Input Voltage and Optiical Output Power", for detail.

9. The Laser Bias Monitor Current and Rear Facet Monitor Current are calculated as ratios between the corresponding voltages and current sensing resistors, 10Ω and 200Ω, as shown in the figure 14.

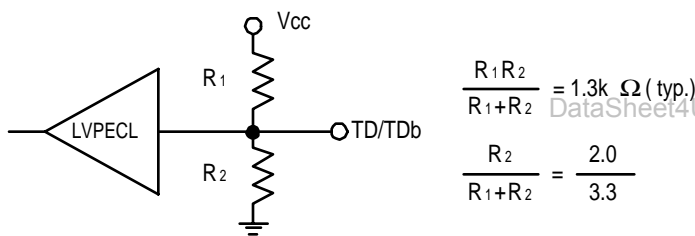


Figure 13. Internal Bias of Input Terminal

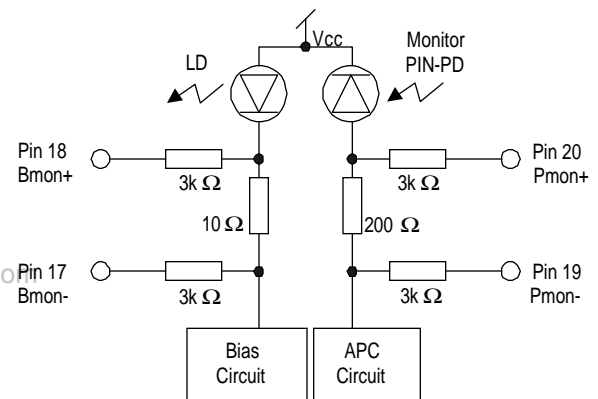


Figure 14. Bmon and Pmon Interface

### 6-2. Receiver side

Parameter	Symbol	min.	Typ.	Max.	Unit	Note
Supply Voltage	Vcc-Vee	3.135	3.30	3.465	V	
Supply Current	I <sub>drx</sub>		75	125	mA	1
RD, RDb Output Voltage	High	V <sub>doh</sub>	V <sub>cc</sub> -1.10	V <sub>cc</sub> -0.86	V	2
	Low	V <sub>dol</sub>	V <sub>cc</sub> -1.86	V <sub>cc</sub> -1.62	V	
SD Output Voltage	High	V <sub>soh</sub>	2.20	V <sub>cc</sub>	V	
	Low	V <sub>sol</sub>	0.0	0.5	V	
Data Rise / Fall Time	T <sub>rd</sub> / T <sub>fd</sub>			0.5	nsec.	3
SD Assert Time	T <sub>a</sub>	2.3		100	μsec	4
SD Deassert Time	T <sub>d</sub>	2.3		100	μsec	

Notes:

1. Output current is not included. 622.08Mbps, PRBS2<sup>23</sup>-1, NRZ.

2. V<sub>cc</sub>=+3.3V, T<sub>c</sub>=25°C. Output load resistance R<sub>L</sub>=50Ω to V<sub>cc</sub>-2V for RD, RDb.

3. 20-80%.

4. 622.08Mbps, PRBS2<sup>23</sup>-1, NRZ.

## 7. Optical Interface

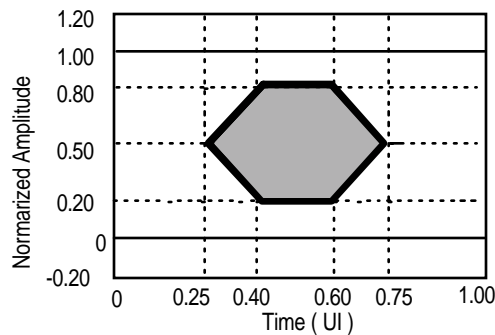
( Unless otherwise specified, Vcc-Vee = 3.135 to 3.465 V and all operating temperature shall apply. )

### 7-1. Transmitter side

Parameter	Symbol	min.	Typ.	Max.	Unit	Note
Average Output Power	Po	-15.0	-11.0	-8.0	dBm	1
Extinction Ratio	Er	8.2			dB	1
Center Wavelength	$\lambda_c$	1274		1356	nm	
Spectral Width (RMS)	$\Delta\lambda$			2.5	nm	
Eye Mask for Optical Output	Compliant with Bellcore GR-253 CORE and ITU G.957					

Note:

1. Measured at 622.08Mbps PRBS2\*23-1



Relation between Input Signal and Optical Output Signal

Input Signal		Optical Output Signal
TD	TDb	
High	Low	ON (High)
Low	High	OFF (Low)
High	High	Undefined
Low	Low	Undefined

Figure 15. Optical Pulse Mask with Fourth Order Bessel-Thomson Filter Specified in ITU-T G.957

### Warning



Do not look at the laser beam projection area (e.g. end of optical connector) with naked eyes or through optical equipment while the power is supplied to this product. Otherwise, your eyes may be injured.

### 7-2. Receiver side

Parameter	Symbol	min.	Typ.	Max.	Unit	Note
Optical Input Wavelength	-	1261		1580	nm	
Minimum Sensitivity	Pmin		-33.0	-28.0	dBm	1, 2
Overload	Pmax	-8.0			dBm	1, 2
SD Assert Level	Pa	-45.0		-28.0	dBm	2
SD Deassert Level	Pd	-45.0		-29.0	dBm	
SD Hysteresis	Phys	1.0		6.0	dB	

Notes:

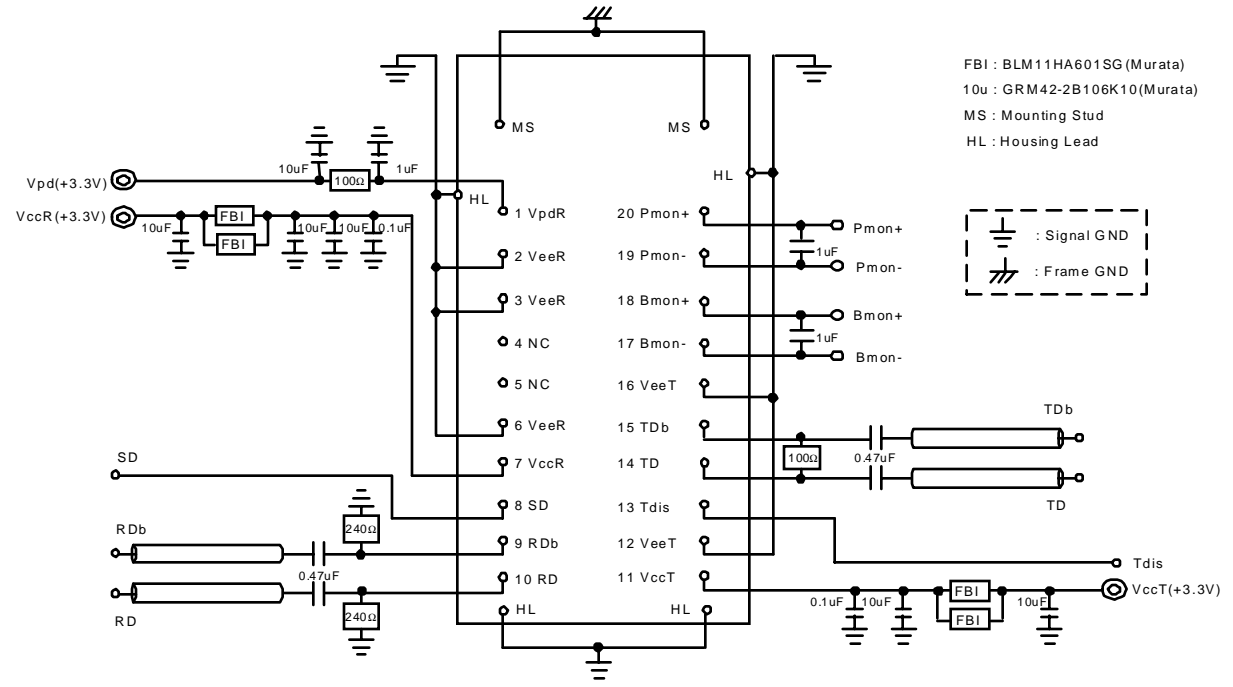
1. BER=10<sup>-10</sup>

2. Measured at the bit rate of 622.08Mbps, PRBS 2\*23-1, NRZ

## 8. Relation between Disable Input Voltage and Optical Output Power

Tdis Input Voltage	Optical Output Power
"L"(0 ~ 0.8V)	Enabled
"H"(2.0V ~ Vcc)	Disabled (<-45dBm)
Open	Enabled

### 9. Recommended Interface Circuit



DataSheet4U.com

- Notes:
- (1) Components on RD/RDb lines, 240  $\Omega$  and 0.47 $\mu$ F, should be placed as close as possible to module pins.
  - (2) 0.1 $\mu$ F capacitors on VccR/VccT lines should be as close as possible to module pins.
  - (3) 50 $\Omega$  line pattern and component placements on RD/RDb and TD/TDb lines should be symmetrical for better impedance matching.
  - (4) HL is internally connected to VeeR and VeeT.
- (SCM6002-JL-## has no Housing Leads.)**

Figure 16. Recommended Interface Circuit

## 10. Reliability Test Program

GR-468-CORE Issue 1, December 1998 Laser Module

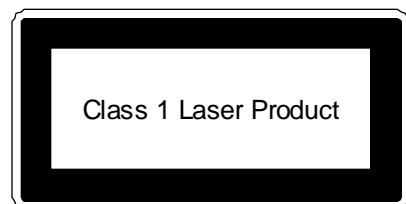
HEADING	TEST	REFERENCE	CONDITIONS	SAMPLING		
				LTPD	SS	C
Mechanical Integrity	Mechanical Shock	MIL-STD-883 Method 2002	5 times/axis 1,500G, 0.5ms	20	11	0
	Vibration	MIL-STD-883 Method 2007	Cond. A 20G, 20-2,000 Hz, 4min/cy, 4cy/axis	20	11	0
	Thermal Shock	MIL-STD-883 Method 1011	Delta T=100°C 0°C to 100°C	20	11	0
	Solderability	MIL-STD-883 Method 2003	(steam aging not required)	20	11	0
Endurance	Accel. Aging (High Temp.)	(R)-4-53 Section 5.18	85°C; rated power 1,000 hrs. for pass/fail 2,000, 5,000 hrs. for info.	-	25 10	-
	Low Temp. Storage	-	min. storage T 1,000 hrs. for pass/fail 2,000 hrs. for info.	20	11	0
	Temperature Cycling	Section 5.20	-40°C to +85°C 500 for pass/fail 1,000 for info.	20 -	11 11	0 -
	Damp Heat	MIL-STD-202 Method 103 or IEC-60068-2-3	85°C/85%RH 1,000hrs.	20	11	0
	Cyc. Moist. Res.	Sec. 5.23	-	20	11	0
Special Tests	Internal Moisture	MIL-STD-883 Method 1018	Max. 5,000ppm water vapour	20	11	0
	ESD Threshold	Section 5.22		-	6	-

SS : Sample Size

C : Maximum number of failure allowed to pass the test.

## 11. Laser Safety

This product uses a semiconductor laser system and is a laser class 1 product acceptable FDA, complies with 21CFR 1040. 10 and 1040.11. Also this product is a laser class 1 product acceptable IEC 825-1.



### ⚠ Caution



If this product is used under conditions not recommended in the specification or this product is used with unauthorized revision, classification for laser product safety standard is invalid. Classify the product again at your responsibility and take appropriate actions.

## 12. Other Precaution

Under such a strong vibration environment as in automobile, the performance and reliability are not guaranteed.

The governmental approval is required to export this product to other countries. To dispose of these components, the appropriate procedure should be taken to prevent illegal exportation.

This module must be handled, used and disposed of according to your company's safe working practice.

### ⚠ Warning

- ❗ Be sure to carry out correct soldering for connection to peripheral circuits in order to prevent contact failure or short-circuit. Otherwise, a strong laser beam may cause eye injury, overheating or fire.
- 🚫 Do not put this product or components of this product into your mouth. This product contains material harmful to health.

### ⚠ Caution

- ❗ Be sure to turn the power off when you touch this product connected to the printed circuit boards. Otherwise, electric shock may occur.
- 🚫 Dispose this product or equipment including this product properly as an industrial waste according to the regulations.

## 13. Ordering Information

SCM6002 - □ L - □ □ ( LC Duplex Receptacle, Metallized )

Operating Case Temperature

N :  $T_c = -5 \sim 70^\circ\text{C}$

W :  $T_c = -40 \sim 85^\circ\text{C}$

EMI Shield Finger Option

Z : Without Finger

C : With Type-C Finger

D : With Type-D Finger

Housing Lead Option

G : With Housing Leads

J : Without Housing Leads

## 14. For More Information

### U.S.A.

Excelight Communications, 4021 Stirrup Creek Drive, Suite 200 Durham, NC 27703

Tel. +1-919-361-1600 / Fax. +1-919-361-1619

E-mail: [info@excelight.com](mailto:info@excelight.com)

<http://www.excelight.com>

### Europe

Sumitomo Electric Europe Ltd., 220, Centennial Park, Elstree, Herts, WD6 3SL, United Kingdom

Tel.+44-208-953-8681

Fax.+44-208-207-5950

E-mail: [photonics@sumielectric.com](mailto:photonics@sumielectric.com)

<http://www.sumielectric.com>

### Japan

Sumitomo Electric Industries, Ltd. ( International Business Division ), 3-12, Moto-Akasaka 1-chome

Minato-ku Tokyo 107-8468

Tel. +81-3-3423-5771 / Fax. +81-3-3423-5099

E-mail: [product-info@ppd.sei.co.jp](mailto:product-info@ppd.sei.co.jp)

[http://www.sei.co.jp/Electro-optic/index\\_e.html](http://www.sei.co.jp/Electro-optic/index_e.html)