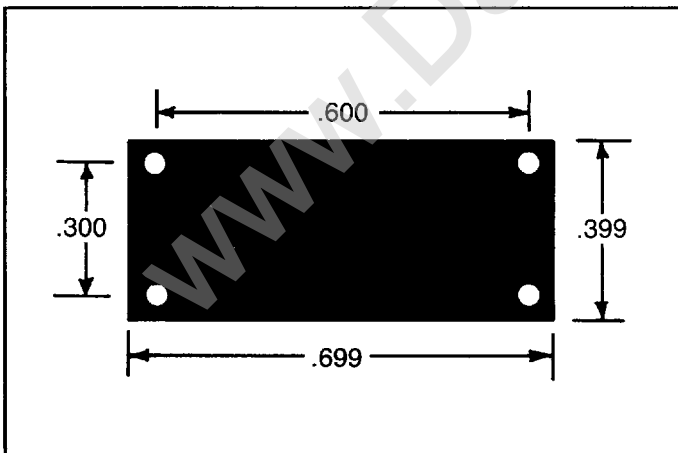
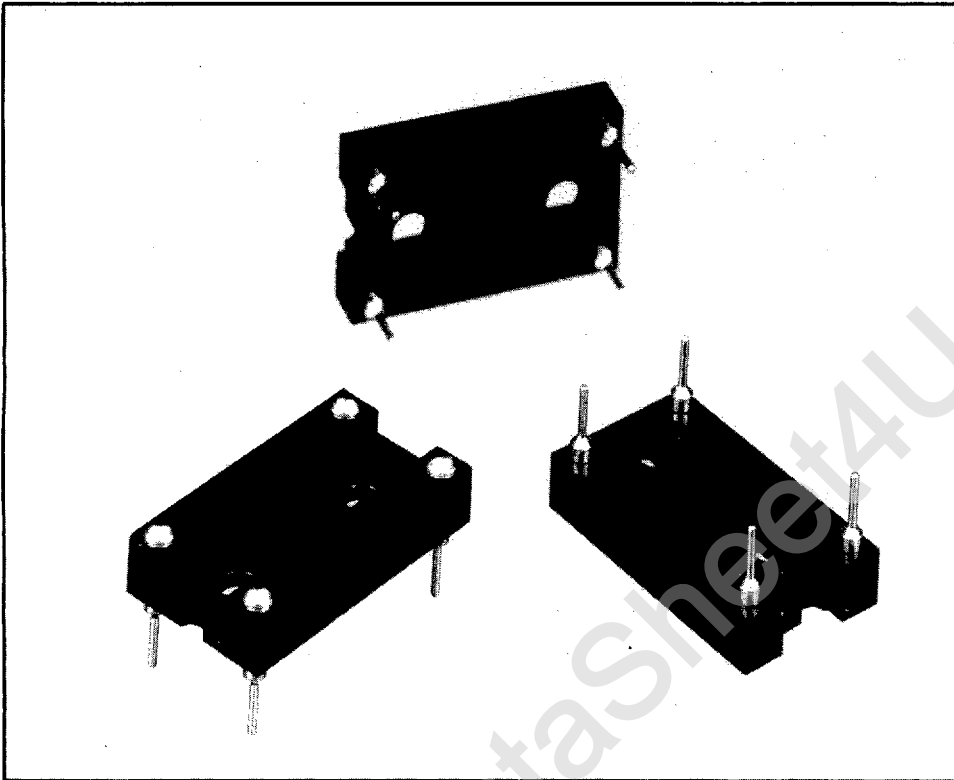


CRYSTAL OSCILLATOR SOCKETS

A-23-05



PART NO.	NO. PINS	WAFER INSULATOR
SCO-3-4-2TG	4	SEC-314
SCO-3-4-3TG	4	SEC-314
SCO-3-4-ITG	4	SEL-314

Accepts Motorola 4 lead crystal oscillators such as LOCO II and K1100A.