

TECHNICAL DATA
DATASHEET 1138, REV. D

HV MOSFET Power Module Data Sheet

DESCRIPTION: 3000 VOLT, 1.0 AMP, INDUSTRIAL MOSFET POWER MODULE

ELECTRICAL CHARACTERISTICS

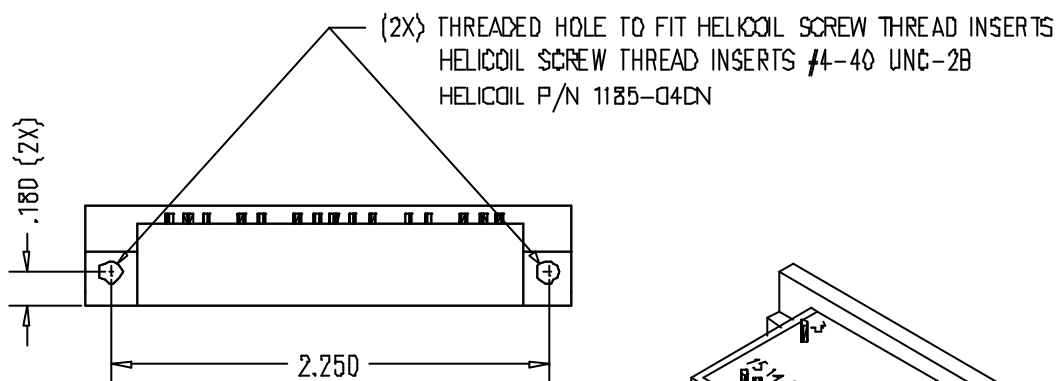
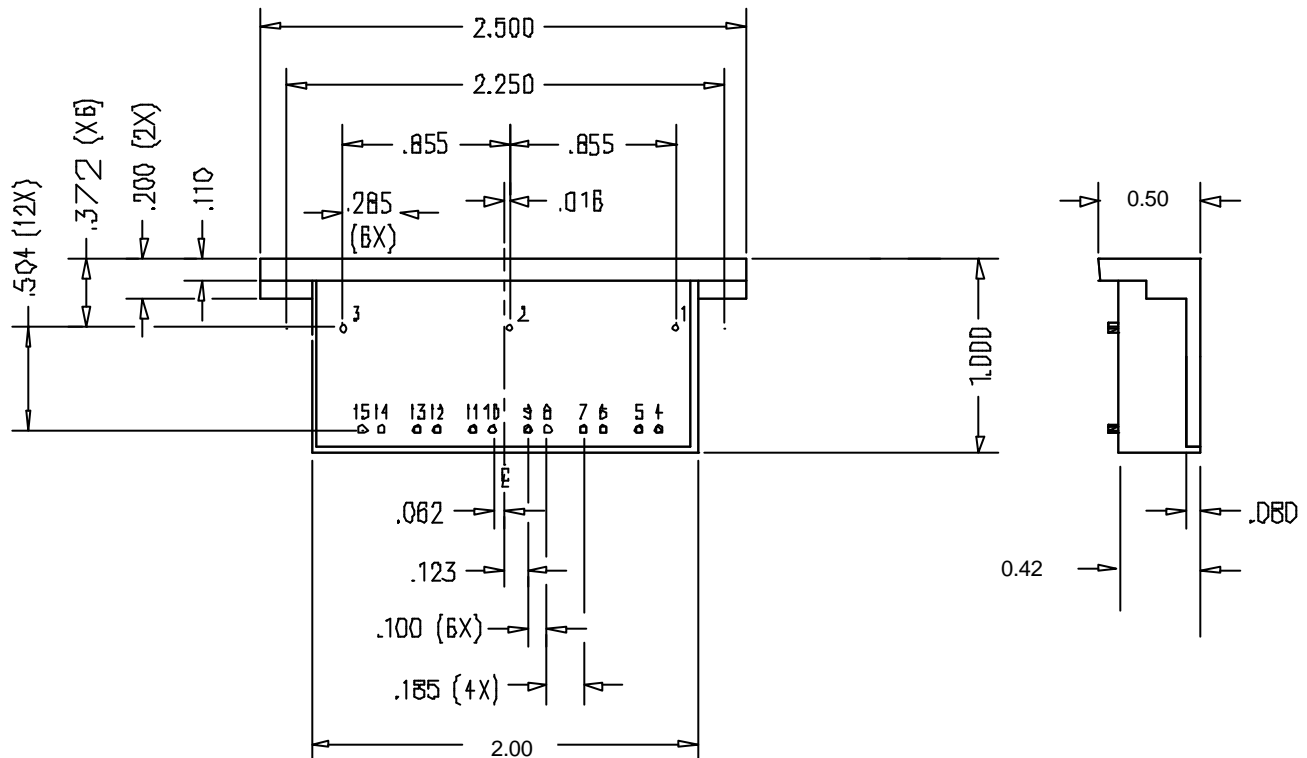
(AT $T_j=25^{\circ}\text{C}$ UNLESS OTHERWISE SPECIFIED)

PARAMETER	SYMBOL	CONDITION	MIN	TYP	MAX	UNIT
POWER MOSFETS Q1,...,6						
Drain-to-Source Breakdown Voltage for each one of Q1,2,...,6	$V_{(BR)DSS}$	$V_{GS}=0V, I_b=0.5\text{ mA}, T_j = 25^{\circ}\text{C}$	1000	-	-	V
Drain-to-Source Leakage Current	I_{DSS}	$V_{GS}=0V, V_{DS}=1000V, T_j = 25^{\circ}\text{C}$ $V_{DS}=1000V, T_j = 125^{\circ}\text{C}$	-	-	0.250 2	mA
Continuous Drain Current	I_b	$V_{GS}=10V$	-	-	1	A
Maximum Pulsed Drain Current ⁽¹⁾	I_{DM}	$T_c = 25^{\circ}\text{C}$	-	-	4	A
Gate-Source Threshold Voltage	$V_{GS(th)}$	$V_{DS} = V_{GS}$ $I_b = 0.50\text{mA}$	2.0	-	4.0	V
Static Drain-to-Source On Resistance	R_{DS}	$V_{GS} = 10\text{ V}, I_b = 0.80\text{ A}$	-	-	11.0	Ω
Input Capacitance	C_{iss}	$V_{DS} = 25\text{ V}, V_{GS} = 0\text{ V}, f = 1\text{ MHz}$	-	500	-	pF
Output Capacitance	C_{oss}		-	52	-	
Reverse Transfer Cap.	C_{rss}		-	17	-	
Total Gate Charge	Q_G	$V_{GS} = 10\text{ V}, I_b = 1\text{ A}, V_{DD} = 400\text{ V}$	-	-	38	nC
Turn-on Delay	$t_{d(on)}$	$V_{DD} = 500\text{ V}, V_{GS} = 10\text{ V}, I_b = 1.0\text{ A}$	-	10	-	ns
Rise Time	t_r		-	17	-	
Turn-off Delay	$t_{d(off)}$		-	58	-	
Fall Time	t_f		-	31	-	
Junction to Base Thermal Resistance	R_{thjc}				3.7	$^{\circ}\text{C/W}$
Nominal Gate-to-source Zener Breakdown Voltage, $I_z = 1\text{mA}$	V_Z		± 17.5	± 18.0	± 19.0	V
Operating and Storage Junction Temperature	T_j		-40		100	$^{\circ}\text{C}$
Operating Case Temperature	T_c		-40		100	$^{\circ}\text{C}$
Pin-To-Base plate Voltage Isolation	V_{iso}	1 minute, at sea level			10,000	V
DIODE CHARACTERISTICS D1, D2, D3						
Forward Voltage	V_F	$I_F = 1\text{ A}$	-	-	1.1	V
Reverse Recovery Time	t_{rr}	$T_j = 25^{\circ}\text{C}, I_F = 1\text{ A}, di/dt = 50\text{ A}/\mu\text{s}, V_{rr}=400\text{V}$	-	-	150	ns
GATE DRIVE MOSFETS Q7,...,18 ⁽¹⁾ CHARACTERISTICS						
Turn-On Time	t_{on}		-	-	20	ns
Turn-Off Time	t_{off}		-	-	20	ns

Notes,

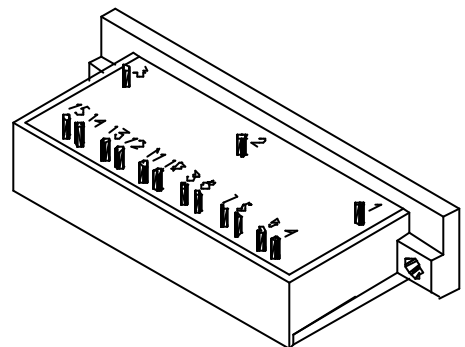
1- Type 2N7002 or similar.

MECHANICAL DRAWING - In inches



Notes:

- 1- All Dimensions are +/- 0.010 in.
- 2- Terminals 1, 2, & 3 are HV 24 AWG wires.
- 3- Terminals 4-15 are F = 0.030" pins



TECHNICAL DATA

DISCLAIMER:

- 1- The information given herein, including the specifications and dimensions, is subject to change without prior notice to improve product characteristics. Before ordering, purchasers are advised to contact the Sensitron Semiconductor sales department for the latest version of the datasheet(s).
- 2- In cases where extremely high reliability is required (such as use in nuclear power control, aerospace and aviation, traffic equipment, medical equipment, and safety equipment), safety should be ensured by using semiconductor devices that feature assured safety or by means of users' fail-safe precautions or other arrangement.
- 3- In no event shall Sensitron Semiconductor be liable for any damages that may result from an accident or any other cause during operation of the user's units according to the datasheet(s). Sensitron Semiconductor assumes no responsibility for any intellectual property claims or any other problems that may result from applications of information, products or circuits described in the datasheets.
- 4- In no event shall Sensitron Semiconductor be liable for any failure in a semiconductor device or any secondary damage resulting from use at a value exceeding the absolute maximum rating.
- 5- No license is granted by the datasheet(s) under any patents or other rights of any third party or Sensitron Semiconductor.
- 6- The datasheet(s) may not be reproduced or duplicated, in any form, in whole or part, without the expressed written permission of Sensitron Semiconductor.
- 7- The products (technologies) described in the datasheet(s) are not to be provided to any party whose purpose in their application will hinder maintenance of international peace and safety nor are they to be applied to that purpose by their direct purchasers or any third party. When exporting these products (technologies), the necessary procedures are to be taken in accordance with related laws and regulations.