

RoHS Compliant Product
A suffix of "-C" specifies halogen & lead-free

FEATURES

- Surface Mounting Type
- High Speed
- High Reliability with High Surge Current Handling Capability

APPLICATION

- High Speed Switching for Detection
- For Portable Equipment: (i.e. Mobile Phone, MP3, MD, CD-ROM, DVD-ROM, Note Book PC, etc.)

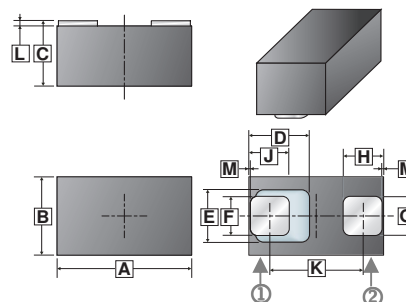
MARKING



PACKAGE INFORMATION

| Package | MPQ | Leader Size |
|-----------|-----|-------------|
| WBFBP-02C | 10K | 7 inch |

WBFBP-02C



| REF. | Millimeter | | REF. | Millimeter | |
|------|------------|------|------|------------|-------|
| | Min. | Max. | | Min. | Max. |
| A | 0.95 | 1.05 | G | 0.25 | 0.35 |
| B | 0.55 | 0.65 | H | 0.25 | 0.35 |
| C | 0.44 | 0.55 | J | 0.275 | 0.47 |
| D | 0.470 REF. | | K | 0.555 | 0.725 |
| E | 0.420 REF. | | L | 0.010 | 0.100 |
| F | 0.27 | 0.37 | M | 0.030 REF. | |



ORDER INFORMATION

| Part Number | Type |
|-------------|---------------------------------|
| SCS400DS | Lead (Pb)-free |
| SCS400DS-C | Lead (Pb)-free and Halogen-free |

ABSOLUTE MAXIMUM RATINGS (T_A=25°C unless otherwise specified)

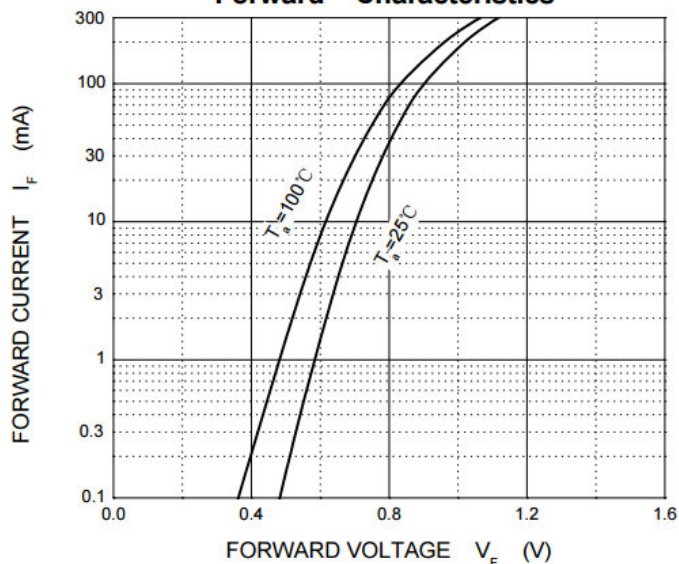
| Parameter | Symbol | Ratings | Unit |
|----------------------------------------------------|-----------------------------------|--------------|------|
| Peak Reverse Voltage | V _{RM} | 90 | V |
| DC Reverse Voltage | V _R | 80 | V |
| Average Rectified Output Current | I _O | 150 | mA |
| Peak Forward Current | I _{FM} | 300 | mA |
| Non-Repetitive Peak Forward Surge Current @t=8.3ms | I _{FSM} | 2 | A |
| Power dissipation | P _D | 100 | mW |
| Thermal Resistance from Junction-Ambient | R _{θJA} | 1250 | °C/W |
| Junction & Storage Temperature | T _J , T _{STG} | 150, -55~150 | °C |

ELECTRICAL CHARACTERISTICS (T_A=25°C unless otherwise specified)

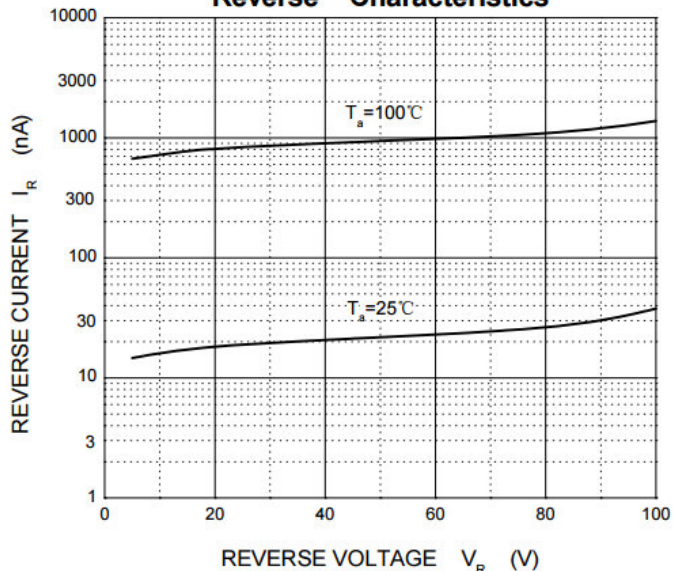
| Parameter | Symbol | Min. | Typ. | Max. | Unit | Test Conditions |
|-------------------------------|-----------------|------|------|------|------|----------------------------------------------------------------|
| Forward Voltage | V _F | - | - | 1.2 | V | I _F =100mA |
| Reverse Current | I _R | - | - | 0.1 | μA | V _R =80V |
| Capacitance Between Terminals | C _T | - | 3 | - | pF | V _R =0.5V, f=1MHz |
| Reverse Recovery Time | t _{rr} | - | 4 | - | nS | V _R =6V, I _F =10mA, R _L =100Ω |

CHARACTERISTIC CURVES

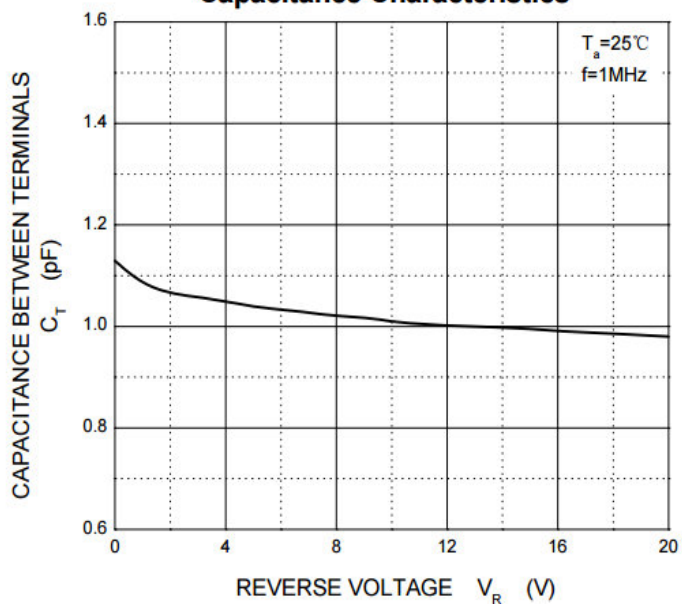
Forward Characteristics



Reverse Characteristics



Capacitance Characteristics



Power Derating Curve

