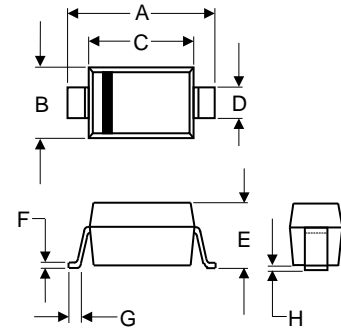


Features

- * Low forward voltage
- * Low reverse capacitance
- * Marking Code: SM



RoHS
COMPLIANT



SOD-123				
DIM	INCHES		MM	
	MIN	MAX	MIN	MAX
A	0.138	0.150	3.50	3.80
B	0.059	0.067	1.50	1.70
C	0.100	0.106	2.54	2.70
D	0.020	0.028	0.50	0.70
E	0.036	0.048	0.91	1.21
F	0.003	0.008	0.08	0.20
G	0.008	0.016	0.20	0.40
H	---	0.004	---	0.10

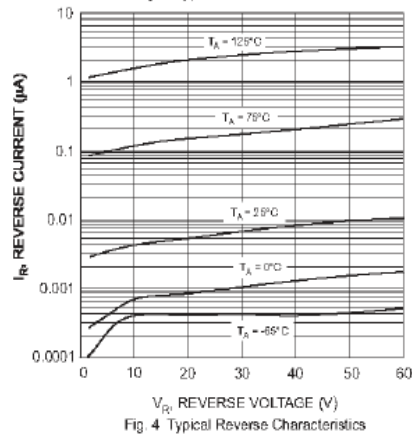
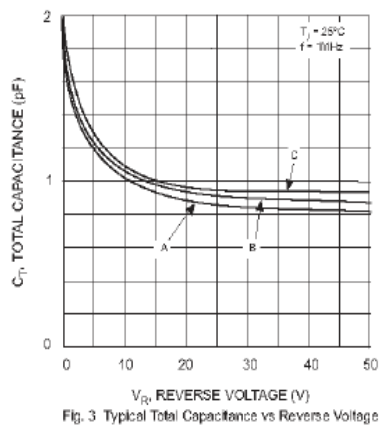
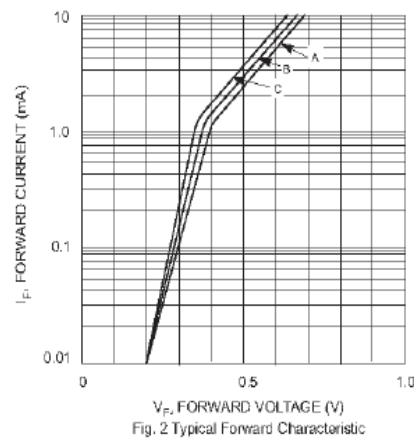
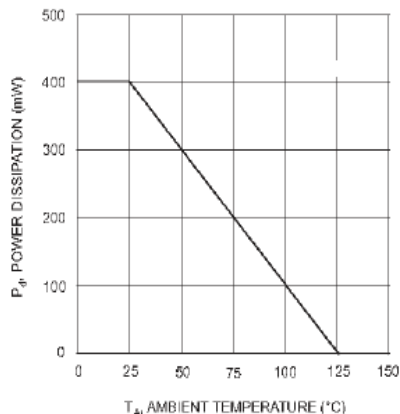
Maximum Ratings (T_A=25°C unless otherwise noted)

Parameter	Symbol	Value	Unit
Peak Repetitive Reverse Voltage SD101AW SD101BW SD101CW	V _{RRM}	60 50 40	V
Reverse Voltage SD101AW SD101BW SD101CW	V _R	60 50 40	V
Forward Continuous Current	I _{FM}	15	mA
Power Dissipation	P _d	400	mW
Non-Repetitive Peak Forward Surge Current at t = 1 s at t = 10 μs	I _{FSM}	50 2	mA A
Operating and Storage Temperature Range	T _j / T _{stg}	- 65 to + 125	°C

Electrical Characteristics (T_A=25°C unless otherwise noted)

Parameter	Symbol	Min.	Max.	Unit	
Reverse Breakdown Voltage at I _R = 10 μA	SD101AW SD101BW SD101CW	V _{(BR)R}	60 50 40	- - -	V
Forward Voltage at I _F = 1 mA	SD101AW SD101BW SD101CW	V _F	- - -	0.41 0.4 0.39	V
at I _F = 15 mA	SD101AW SD101BW SD101CW		- - -	1 0.95 0.9	
Reverse Current at V _R = 50 V at V _R = 40 V at V _R = 30 V	SD101AW SD101BW SD101CW	I _R	- - -	200 200 200	nA
Total Capacitance at V _R = 0 V, f = 1 MHz	SD101AW SD101BW SD101CW	C _T	- - -	2 2.1 2.2	pF
Reverse Recovery Time at I _F = I _R = 5 mA, I _{rr} = 0.1X I _R , R _L = 100 Ω		t _{rr}	-	1	ns

Ratings and Characteristic Curves





SD101AW,SD101BW,SD101CW Surface Mount Schottky Barrier Diodes

Ordering Information

Part No.	Package	Packing Code	Packing
SD101AW,SD101BW,SD101CW	SOD-123	R30	3000pcs/Reel

Disclaimer

Specifications of the products displayed herein are subject to change without notice. JGD or anyone on its behalf, assumes no responsibility or liability for any errors or inaccuracies.

Information contained herein is intended to provide a product description only. No license, express or implied, to any intellectual property rights is granted by this document. Except as provided in JGD's terms and conditions of sale for such products, JGD assumes no liability whatsoever, and disclaims any express or implied warranty, relating to sale and/or use of JGD products including liability or warranties relating to fitness for a particular purpose, merchantability, or infringement of any patent, copyright, or other intellectual property right.

The products shown herein are not designed for use in medical, life-saving, or life-sustaining applications. Customers using or selling these products for use in such applications do so at their own risk and agree to fully indemnify JGD for any damages resulting from such improper use or sale.