

RoHS Compliant Product
A suffix of "-C" specifies halogen & lead-free

FEATURES

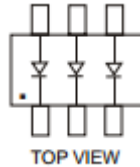
- Low Forward Voltage Drop
- Guard Ring Construction for Transient Protection
- Fast Switching
- Low Leakage Current

MARKING

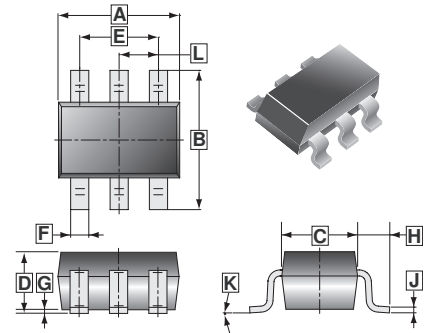


PACKAGE INFORMATION

Package	MPQ	Leader Size
SOT-363	3K	7 inch



SOT-363



REF.	Millimeter		REF.	Millimeter	
	Min.	Max.		Min.	Max.
A	1.80	2.20	G	0.100	REF.
B	1.80	2.45	H	0.525	REF.
C	1.15	1.35	J	0.08	0.25
D	0.80	1.10	K	8°	
E	1.10	1.50	L	0.650	TYP.
F	0.10	0.35			

ABSOLUTE MAXIMUM RATINGS (T_A=25°C unless otherwise specified)

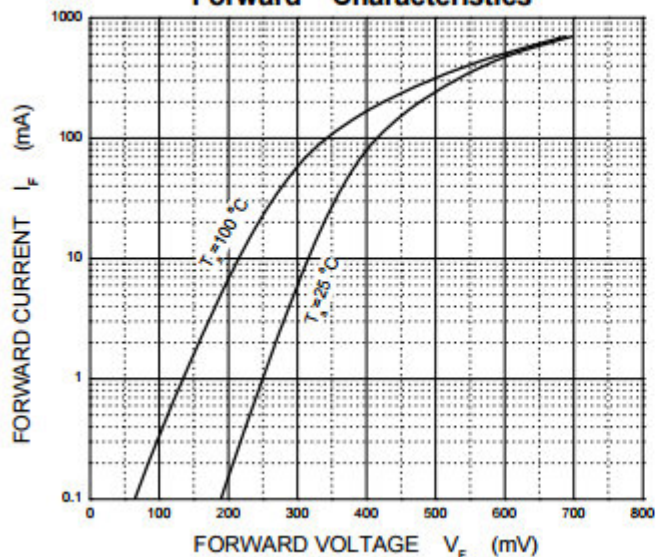
Parameter	Symbol	Ratings	Unit
Peak Repetitive Peak reverse voltage	V _{RRM}	40	V
Working Peak Reverse Voltage	V _{RWM}	40	V
DC Blocking Voltage	V _R	40	V
RMS Reverse Voltage	V _{R(RMS)}	28	V
Average Rectified Current	I _O	175	mA
Forward Current Surge Peak @60Hz, 1 cyc, pre diode	I _{FSM}	1	A
Power Dissipation	P _D	200	mW
Thermal Resistance Junction to Ambient	R _{θJA}	500	°C / W
Storage temperature	T _J , T _{STG}	125, -55~150	°C

ELECTRICAL CHARACTERISTICS (T_A=25°C unless otherwise specified)

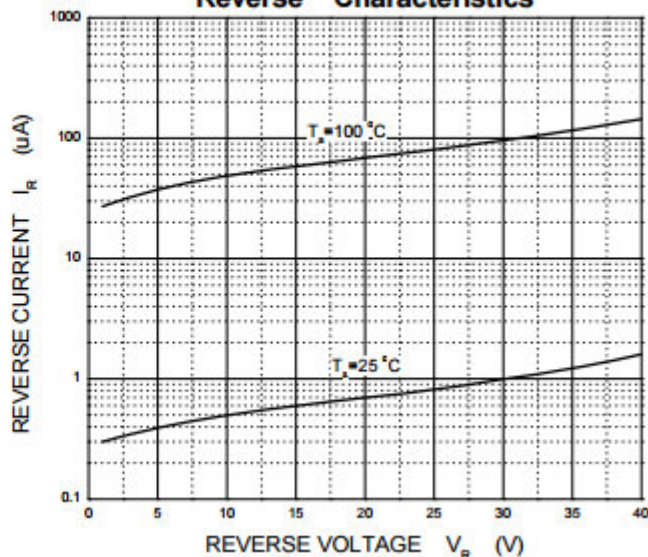
Parameter	Symbol	Min.	Typ.	Max.	Unit	Teat Conditions
Reverse breakdown voltage	V _{(BR)R}	40	-	-	V	I _R =100μA
Forward voltage	V _F	-	-	0.37	V	I _F =20mA
		-	-	0.5		I _F =100mA
Reverse current	I _R	-	-	2	uA	V _R =10V
		-	-	5		V _R =30V
Capacitance between terminals	C _T	-	50	-	pF	V _R =0, f=1MHz
Reveres recovery time	t _{rr}	-	10	-	nS	I _F =I _R =200mA, I _{RR} =0.1X I _R , R _L =100Ω

RATINGS AND CHARACTERISTIC CURVES

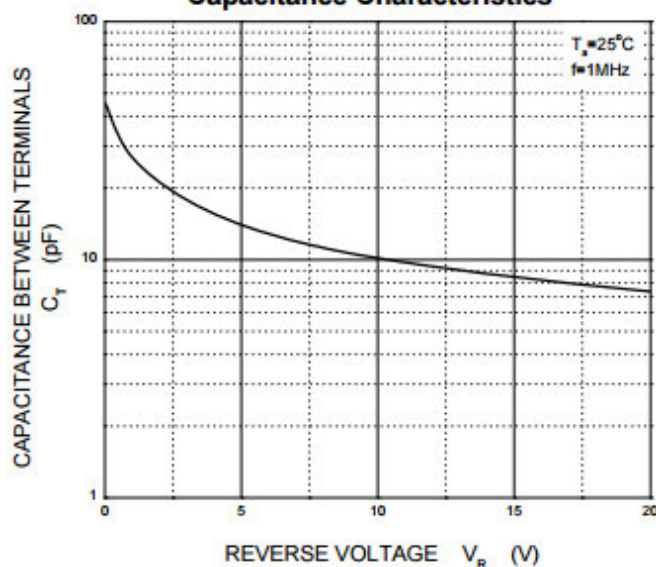
Forward Characteristics



Reverse Characteristics



Capacitance Characteristics



Power Derating Curve

