



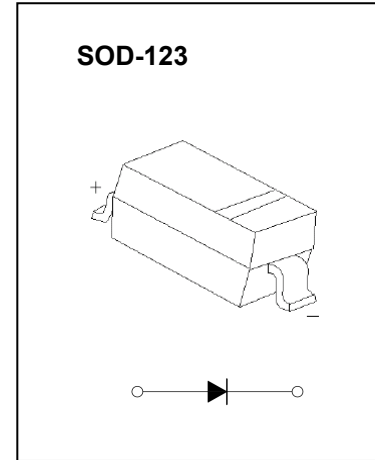
## SOD-123 Plastic-Encapsulate Diodes

### SD103AW-SD103CW SCHOTTKY BARRIER DIODE

#### FEATURES

- Low forward voltage drop
- Guard ring construction for transient protection
- Negligible reverse recovery time
- Low reverse capacitance

MARKING: SD103AW: S4  
 SD103BW: S5  
 SD103CW: S6



#### Maximum Ratings and Electrical Characteristics, Single Diode @Ta=25°C

Parameter	Symbol	SD103AW	SD103BW	SD103CW	Unit
Peak Repetitive Peak Reverse Voltage	$V_{RRM}$				
Working Peak Reverse Voltage	$V_{RWM}$	40	30	20	V
DC Blocking Voltage	$V_R$				
RMS Reverse Voltage	$V_{R(RMS)}$	28	21	14	V
Forward Continuous Current	$I_{FM}$	350			mA
Repetitive Peak Forward Current @t≤1.0s	$I_{FRM}$	1.5			A
Power Dissipation	$P_d$	500			mW
Thermal Resistance Junction to Ambient	$R_{\theta JA}$	250			°C/W
Junction temperature	$T_j$	125			°C
Storage Temperature	$T_{STG}$	-55~+150			°C

#### Electrical Ratings @Ta=25°C

Parameter	Symbol	Min	Typ	Max	Unit	Conditions
Reverse breakdown voltage	SD103AW SD103BW SD103CW	40 30 20			V	$I_R=100\mu A$ $I_R=100\mu A$ $I_R=100\mu A$
Forward voltage	$V_F$			0.37 0.60	V	$I_F=20mA$ $I_F=200mA$
Reverse current	SD103AW SD103BW SD103CW			5.0	$\mu A$	$V_R=30V$ $V_R=20V$ $V_R=10V$
Capacitance between terminals	$C_T$		50		pF	$V_R=0V, f=1.0MHz$
Reverse recovery time	$t_{rr}$		10		ns	$I_F=I_R=200mA$ $I_{rr}=0.1I_R, R_L=100\Omega$