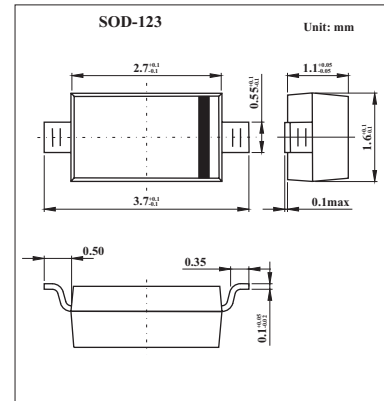


Schottky Barrier Switching Diodes

KD103AW - KD103CW
(SD103AW-SD103CW)

■ Features

- Low forward voltage drop.
- Guard ring construction for transient protection.
- Negligible reverse recovery time.

■ Absolute Maximum Ratings $T_a = 25^\circ\text{C}$

Parameter	Symbol	KD103AW	KD103BW	KD103CW	Unit
Peak repetitive peak reverse voltage	V_{RRM}				
Working peak	V_{RWM}	40	30	20	V
DC blocking voltage	V_R				
RMS reverse voltage	$V_{R(RMS)}$	28	21	14	V
Forward continuous current	I_{FM}	350			mA
Non-Repetitive Peak Forward Surge Current @ $t \leq 1.0\text{s}$	I_{FRM}	1.5			A
Power dissipation	P_d	400			mW
Thermal resistance junction to ambient	$R_{\theta JA}$	300			$^\circ\text{C}/\text{W}$
Storage temperature	T_{stg}	-65 to +125			$^\circ\text{C}$

■ Electrical Characteristics $T_a = 25^\circ\text{C}$

Parameter	Symbol	Test conditions	Min	Typ	Max	Unit
Reverse breakdown voltage	KD103AW	$I_R = 100 \mu\text{A}$	40			V
	KD103BW		30			
	KD103CW		20			
Forward Voltage Drop	V_{FM}	$I_F = 20\text{mA}$			0.37	V
		$I_F = 200\text{mA}$			0.60	
Peak Reverse Current	KD103AW	$V_R = 30\text{V}$			5	μA
	KD103BW	$V_R = 20\text{V}$				
	KD103CW	$V_R = 10\text{V}$				
Total Capacitance	C_T	$V_R = 0\text{V}, f = 1.0\text{MHz}$		50		pF
Reverse Recovery Time	t_{rr}	$I_F = I_R = 200\text{mA}, I_{rr} = 0.1 \times I_R, R_L = 100 \Omega$		10		ns

■ Marking

NO.	KD103AW	KD103BW	KD103CW
Marking	S4	S5 or S4	S6 or S5 or S4