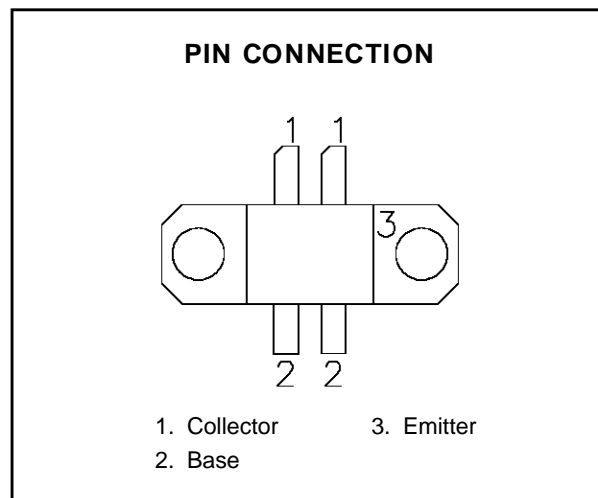
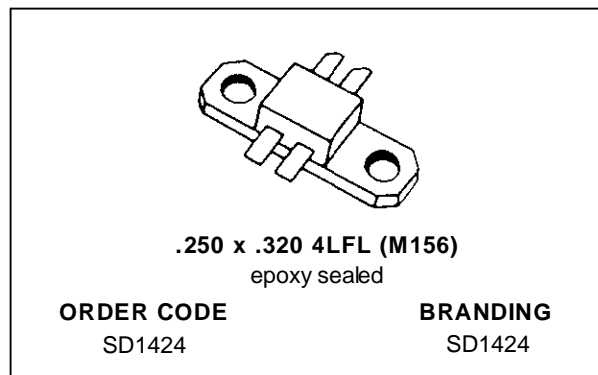


## RF & MICROWAVE TRANSISTORS 800-900 MHz BASE STATION APPLICATIONS

- 800 - 900 MHz
- 24 VOLTS
- COMMON EMITTER
- GOLD METALLIZATION
- INTERNAL INPUT MATCHING
- CLASS AB LINEAR OPERATION
- P<sub>OUT</sub> = 30 W MIN. WITH 7.5 dB GAIN


**DESCRIPTION**

The SD1424 is a gold metallized epitaxial silicon NPN planar transistor using diffused emitter ballast resistors for high linearity Class AB operation in cellular base station application.

**ABSOLUTE MAXIMUM RATINGS** (T<sub>case</sub> = 25°C)

Symbol	Parameter	Value	Unit
V <sub>CB0</sub>	Collector-Base Voltage	48	V
V <sub>CES</sub>	Collector-Emitter Voltage	45	V
V <sub>EBO</sub>	Emitter-Base Voltage	4.0	V
I <sub>c</sub>	Device Current	4	A
P <sub>DISS</sub>	Power Dissipation	87.5	W
T <sub>J</sub>	Junction Temperature	+200	°C
T <sub>STG</sub>	Storage Temperature	- 65 to +150	°C

[www.DataSheet4U.com](http://www.DataSheet4U.com)

**THERMAL DATA**

R <sub>TH(j-c)</sub>	Junction-Case Thermal Resistance	2.0	°C/W
----------------------	----------------------------------	-----	------

# SD1424

## ELECTRICAL SPECIFICATIONS (T<sub>case</sub> = 25°C)

### STATIC

Symbol	Test Conditions		Value			Unit
			Min.	Typ.	Max.	
BV <sub>CBO</sub>	I <sub>C</sub> = 50mA	I <sub>E</sub> = 0mA	48	50	—	V
BV <sub>CEO</sub>	I <sub>C</sub> = 20mA	I <sub>B</sub> = 0mA	25	30	—	V
BV <sub>EBO</sub>	I <sub>E</sub> = 5mA	I <sub>C</sub> = 0mA	3.5	4.0	—	V
I <sub>CBO</sub>	V <sub>CB</sub> = 24V	I <sub>E</sub> = 0mA	—	—	1.0	mA
h <sub>FE</sub>	V <sub>CE</sub> = 10V	I <sub>C</sub> = 100mA	20	—	100	—

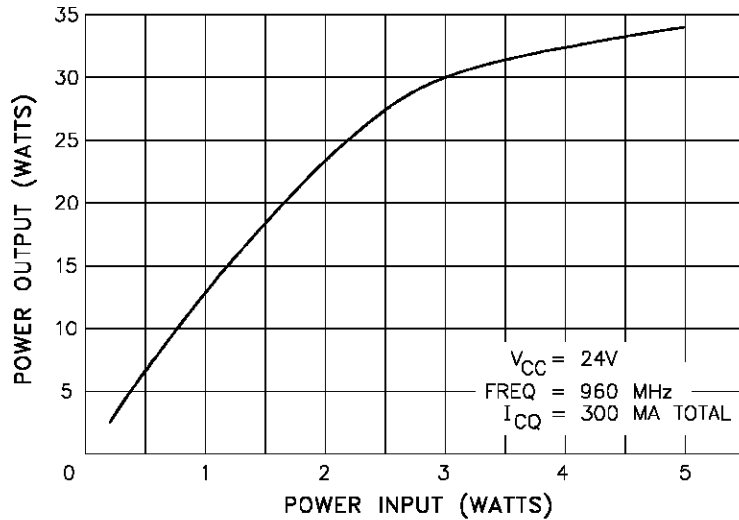
### DYNAMIC

Symbol	Test Conditions			Value			Unit
				Min.	Typ.	Max.	
P <sub>OUT</sub>	f = 960 MHz	P <sub>IN</sub> = 5.3 W	V <sub>CC</sub> = 24 V	30	—	—	W
G <sub>P</sub>	f = 960 MHz	P <sub>OUT</sub> = 30 W	V <sub>CC</sub> = 24 V	7.5	—	—	dB
η <sub>c</sub>	f = 960 MHz	P <sub>OUT</sub> = 30 W	V <sub>CC</sub> = 24 V	45	50	—	%
C <sub>OB</sub>	f = 1 MHz	V <sub>CB</sub> = 24 V	(each side)	—	20	24	pF

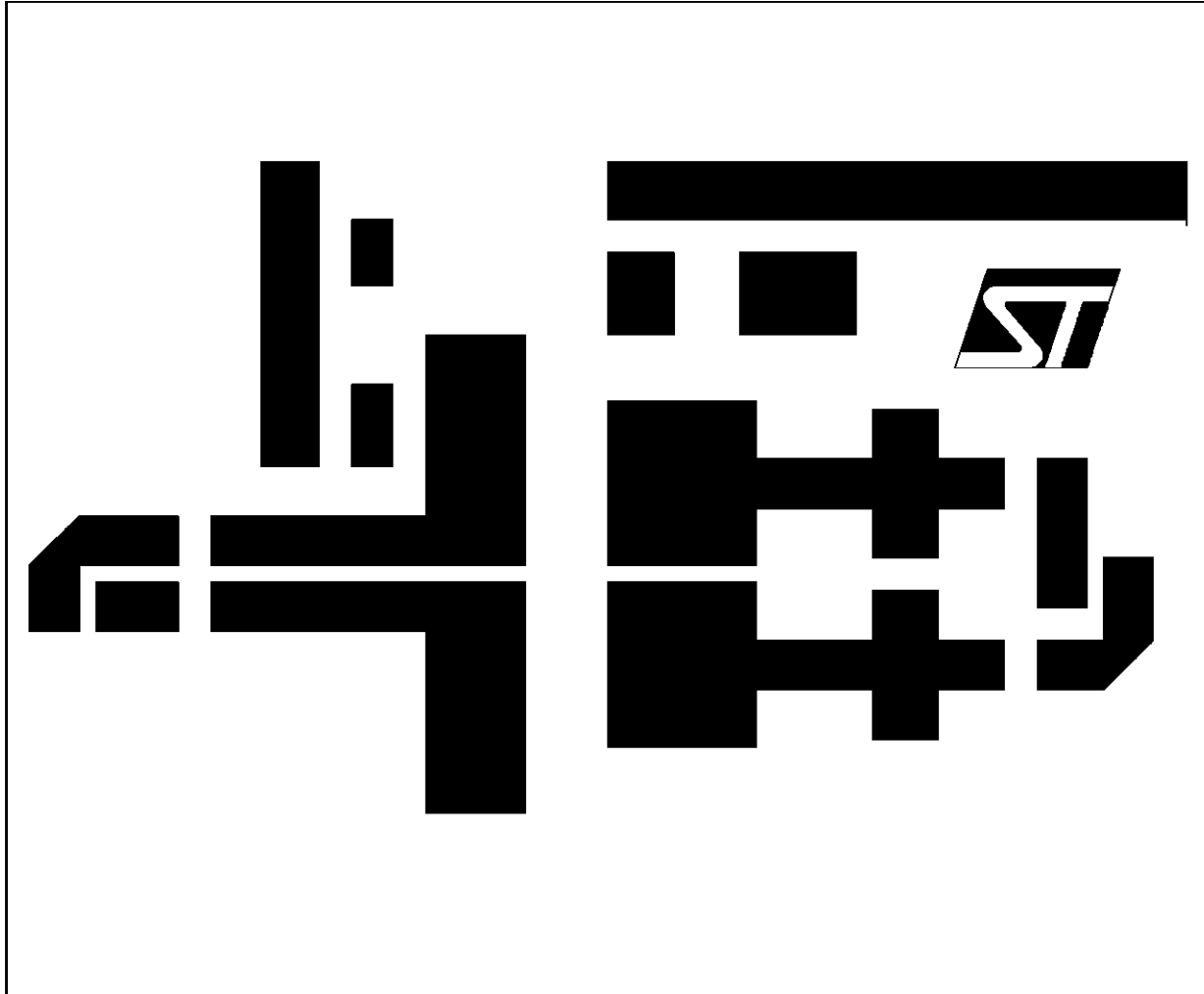
Note: I<sub>CQ</sub> = 150mA

### TYPICAL PERFORMANCE

POWER OUTPUT vs POWER INPUT

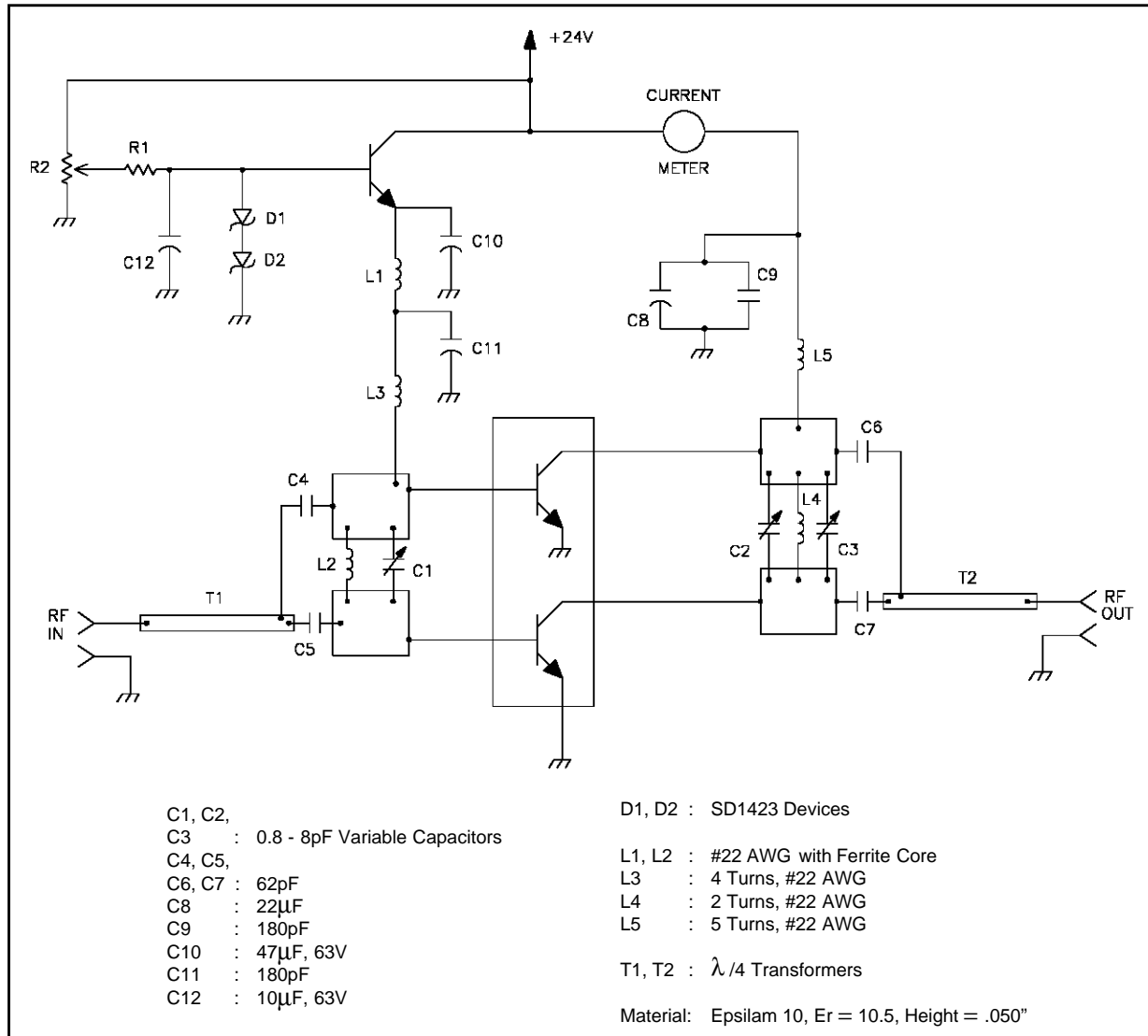


TEST CIRCUIT LAYOUT



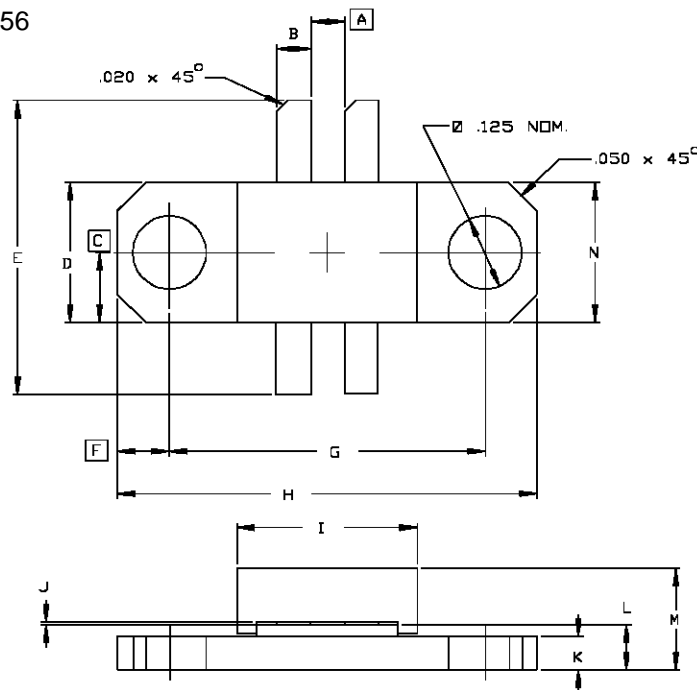
# SD1424

## TEST CIRCUIT



## PACKAGE MECHANICAL DATA

Ref.: Dwg. No.12-0156



SGS-THOMSON MICROELECTRONICS		CONT'D			
	MINIMUM Inches/mm	MAXIMUM Inches/mm		MINIMUM Inches/mm	MAXIMUM Inches/mm
A	.060/1,52		K	.055/1,40	.065/1,65
B	.055/1,40	.065/1,65	L	.075/1,91	.095/2,41
C	.124/3,15		M	.190/4,83	
D	.243/6,17	.253/6,43	N	.245/6,22	.257/6,53
E	.635/16,13	.665/16,89			
F	.092/2,34				
G	.555/14,10	.565/14,35			
H	.739/18,77	.749/19,02			
I	.315/8,00	.327/8,31			
J	.002/0,05	.006/0,15			

Information furnished is believed to be accurate and reliable. However, SGS-THOMSON Microelectronics assumes no responsibility for the consequences of use of such information nor for any infringement of patents or other rights of third parties which may result from its use. No license is granted by implication or otherwise under any patent or patent rights of SGS-THOMSON Microelectronics. Specifications mentioned in this publication are subject to change without notice. This publication supersedes and replaces all information previously supplied. SGS-THOMSON Microelectronics products are not authorized for use as critical components in life support devices or systems without express written approval of SGS-THOMSON Microelectronics.

© 1994 SGS-THOMSON Microelectronics - All Rights Reserved

www.DataSheet4U.com SGS-THOMSON Microelectronics GROUP OF COMPANIES  
 Australia - Brazil - France - Germany - Hong Kong - Italy - Japan - Korea - Malaysia - Malta - Morocco - The Netherlands -  
 Singapore - Spain - Sweden - Switzerland - Taiwan - Thailand - United Kingdom - U.S.A