



SOLID STATE DEVICES, INC.

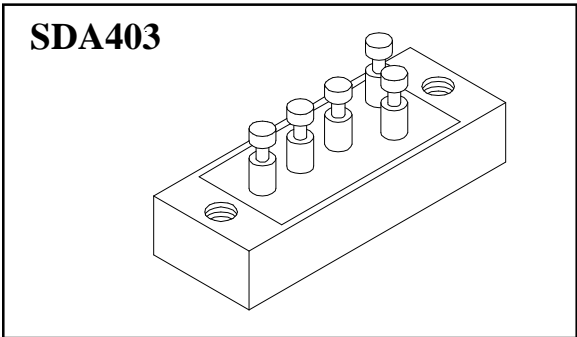
14830 Valley View Blvd * La Mirada, Ca 90638
 Phone: (562) 404-7855 * Fax: (562) 404-1773

**SDA403A
 through
 SDA403G**

Designer's Data Sheet

**6 AMPS
 STANDARD RECOVERY
 THREE PHASE BRIDGE
 RECTIFIER ASSEMBLY**

- FEATURES:**
- Up to 1000 V Blocking Voltage
 - Average Output Current 6 Amps
 - Low Reverse Leakage Current
 - Constructed with Void-free, Hermetically Sealed Discretes
 - Aluminum Case for Maximum Thermal Conductivity
 - Electrically Insulated Aluminum Case
 - TX and TXV Level Screening Available
 - Fast and Ultra Fast Recovery Versions Available. Consult Factory.



Maximum Ratings		SYMBOL	VALUE	UNITS
Peak Repetitive Reverse and DC Blocking Voltage	SDA403A	V _{RRM} V _{VRM} V _R	50	Volts
	SDA403B		100	
	SDA403C		200	
	SDA403D		400	
	SDA403E		600	
	SDA403F		800	
	SDA403G		1000	
	Average Rectified Forward Current (Resistive load, 60Hz, Sine Wave, T _C = 55°C)			
Peak Surge Current (8.3 ms Pulse, Half Sine Wave, T _A = 25°C)		I _{FSM}	30	Amps
Operating and Storage Temperature		T _{OP} & T _{stg}	-55 TO +150	°C
Maximum Junction Temperature		T _J	175	
Maximum Thermal Resistance Junction to Case		q _{JC}	8.5	°C/W

NOTE: All specifications are subject to change without notification. SCD's for these devices should be reviewed by SSDI prior to release.

DATA SHEET # : RA0005B

SDA403A through SDA403G



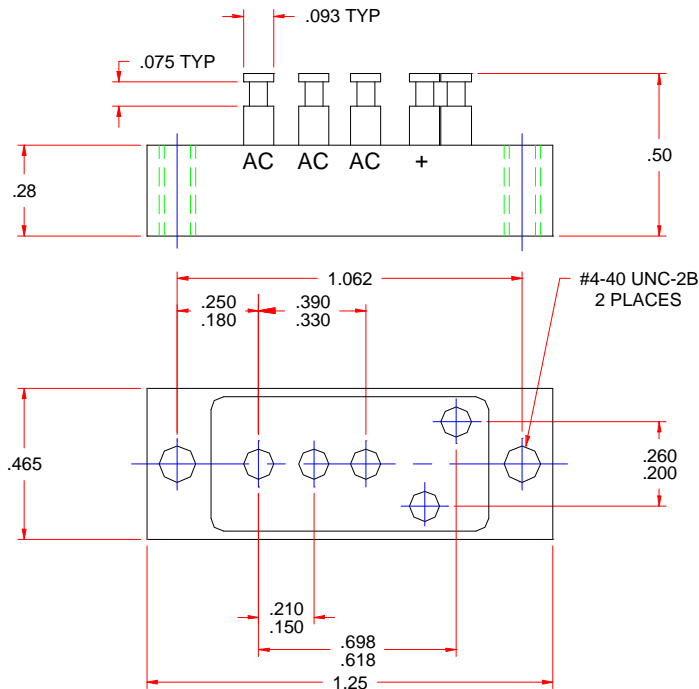
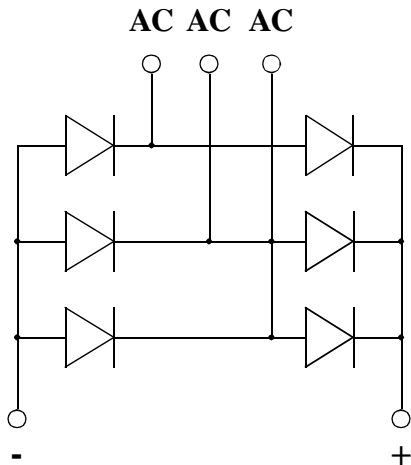
SOLID STATE DEVICES, INC.

14830 Valley View Blvd * La Mirada, Ca 90638
Phone: (562) 404-7855 * Fax: (562) 404-1773

Electrical Characteristics ^{1/} (per leg)	SYMBOL	VALUE	UNITS
Instantaneous Forward Voltage Drop ($I_F = 3A, 300 - 500\mu\text{sec pulse}$)	V_{F1}	1.2	Vdc
Reverse Leakage Current (Rated $V_R, 300\mu\text{s pulse minimum}$)	I_{R1}	3	mA
Reverse Leakage Current (Rated $V_R, T_A = 100^\circ\text{C}, 300\mu\text{s pulse minimum}$)	I_{R2}	100	mA
Reverse Recovery Time ($I_F = 0.5A, I_R = 1.0A, I_{RR} = 0.25A$)	t_{RR}	5	msec

^{1/} $T_A = 25^\circ\text{C}$, Unless otherwise specified

CASE OUTLINE: SDA403



Tolerances: (Unless otherwise specified)

.xx: ± .03
.xxx: ± .010

TEMPERATURE DERATING CURVE

