



Solid State Devices, Inc.

14830 Valley View Blvd * La Mirada, Ca 90638
 Phone: (562) 404-7855 * Fax: (562) 404-1773
 ssdi@ssdi-power.com * www.ssdi-power.com

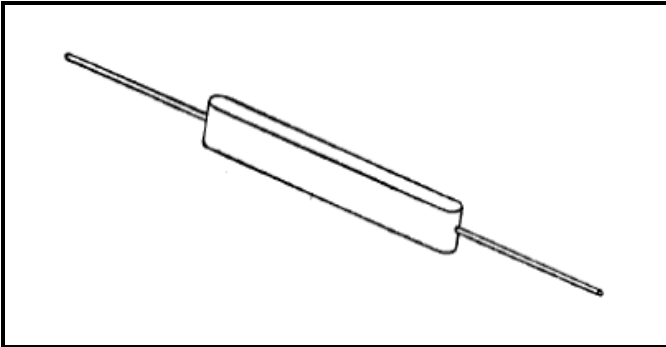
SDAH2500 thru SDAH15000

**2 AMPS
 2500 – 15000 VOLTS
 STANDARD RECOVERY
 HIGH CURRENT - HIGH VOLTAGE
 RECTIFIER**

Designer's Data Sheet

FEATURES:

- Average Output Current 2 Amps
- PIV 2500 to 15000 Volts
- Low Leakage Current
- Low Forward Voltage Drop
- Corona Free
- Superior Thermal Shock Resistance
- Available in Fast, Ultra Fast, and Hyper Fast versions. Consult Factory.



ELECTRICAL CHARACTERISTICS

Part Number	Peak Inverse Voltage (per leg)	Average DC Output Current $T_C = \text{Case Temp}$		Reverse Recovery Time	Peak Recurrent Forward Current	Maximum Forward Voltage (per leg)	Maximum Reverse Current (per leg) @ PIV		Case Size		
		$I_{F(AV)}$					I_R		A	B	C
Symbol	PIV	$I_{F(AV)}$		$t_{rr}^{2/}$	I_{FRM}	V_F	I_R		INCHES		
Units	Volts	Amps		μs	Amps	Volts	μA				
Conditions		50°C	100°C		25°C	$I_F = 1.0 A$	25°C	100°C	A	B	C
SDAH2500	2500	2	1.2	5	150	3	1	75	1.5	.38	.69
SDAH5000	5000	2	1.2	5	150	6	1	75	2.5	.38	.69
SDAH7500	7500	2	1.2	5	150	8	1	75	3.5	.38	.69
SDAH10000	10000	2	1.2	5	150	11	1	75	4.5	.38	.69
SDAH12500	12500	2	1.2	5	150	13.5	1	75	5.5	.38	.69
SDAH15000	15000	2	1.2	5	150	16	1	75	6.5	.38	.69

NOTES:

* Pulse Test: Pulse Width = 300 μ sec, Duty Cycle = 2%

1. Unless Otherwise Specified, All Electrical Characteristics @25°C
2. Reverse Recovery Test Conditions: $I_F = 0.5A$, $I_R = 1A$, $I_{RR} = 0.25A$, $T_A = 25°C$

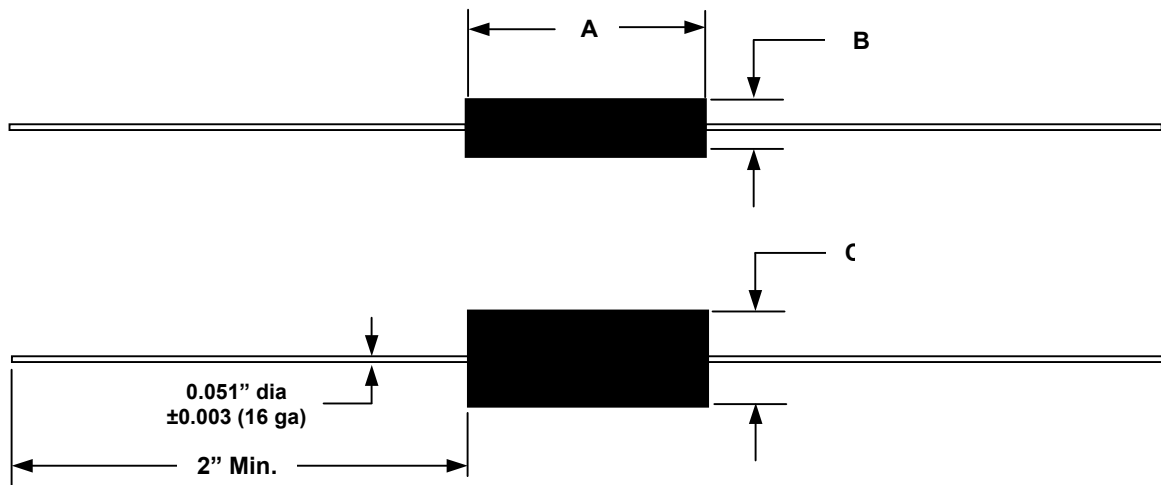


Solid State Devices, Inc.

14830 Valley View Blvd * La Mirada, Ca 90638
Phone: (562) 404-7855 * Fax: (562) 404-1773
ssdi@ssdi-power.com * www.ssdi-power.com

SDAH2500 thru SDAH15000

PACKAGE OUTLINE: SDAH2500 thru SDAH15000



*For information on curves, contact the Factory Representative for Engineering Assistance.