



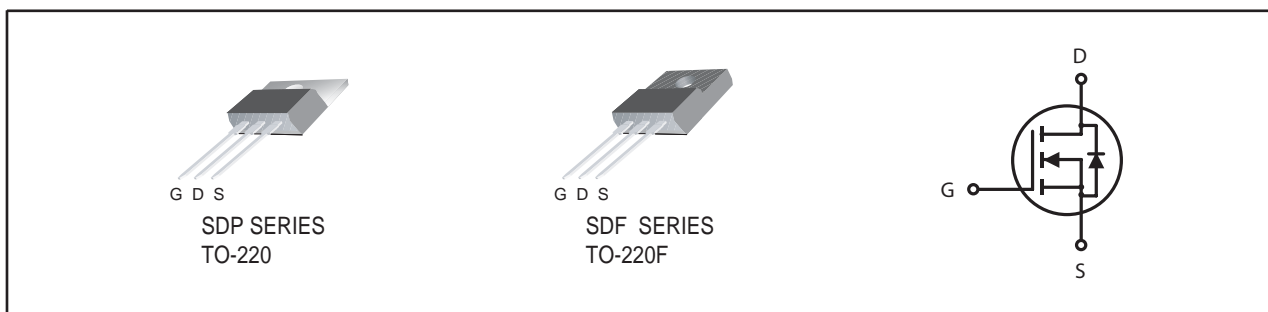
N-Channel Enhancement Mode Field Effect Transistor

PRODUCT SUMMARY

V _{DSS}	I _D	R _{DS(ON)} (Ω) Typ
500V	18A	0.25 @ V _{GS} =10V

FEATURES

- Super high dense cell design for low R_{DS(ON)}.
- Rugged and reliable.
- TO-220 and TO-220F Package.



ORDERING INFORMATION

Ordering Code	Package	Marking Code	Delivery Mode	RoHS Status
SDP18N50HZ	TO-220	SDP18N50	Tube	Halogen Free
SDP18N50PZ	TO-220	18N50	Tube	Pb Free
SDF18N50HZ	TO-220F	SDF18N50	Tube	Halogen Free
SDF18N50PZ	TO-220F	18N50	Tube	Pb Free

ABSOLUTE MAXIMUM RATINGS (T_C=25°C unless otherwise noted)

Symbol	Parameter	SDP18N50	SDF18N50	Units	
V _{DS}	Drain-Source Voltage	500		V	
V _{GS}	Gate-Source Voltage	±30	±30	V	
I _D	Drain Current-Continuous ^a	T _C =25°C	18	18	A
		T _C =100°C	10.8	10.8	A
I _{DM}	-Pulsed ^a	72	72	A	
E _{AS}	Single Pulse Avalanche Energy ^c	990		mJ	
P _D	Maximum Power Dissipation	T _C =25°C	236	38	W
		T _C =100°C	94	14.1	W
T _J , T _{STG}	Operating Junction and Storage Temperature Range	-55 to 150		°C	

THERMAL CHARACTERISTICS

Symbol	Parameter	SDP18N50	SDF18N50	Units
R _{θJC}	Thermal Resistance, Junction-to-Case	0.53	3.3	°C/W
R _{θJA}	Thermal Resistance, Junction-to-Ambient	62.5	62.5	°C/W

SDP18N50

SDF18N50

Ver 1.1

ELECTRICAL CHARACTERISTICS (T_C=25°C unless otherwise noted)

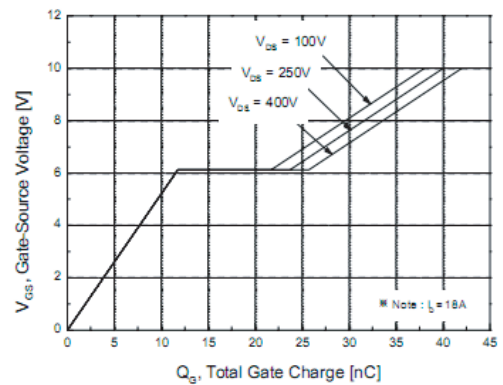
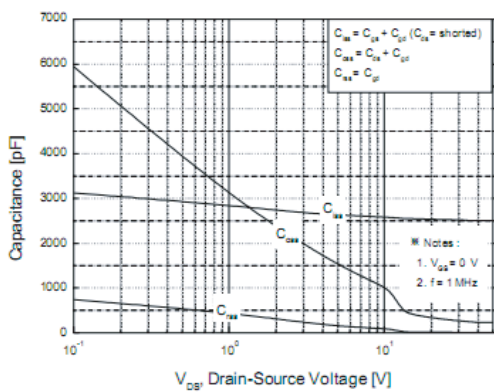
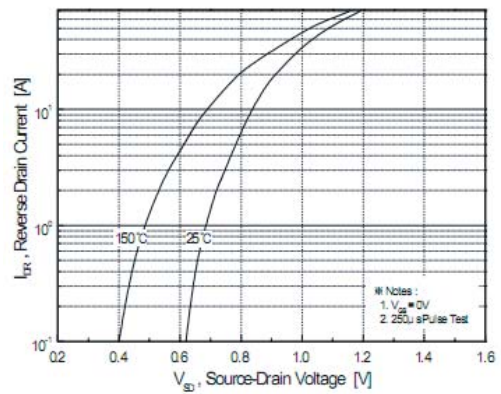
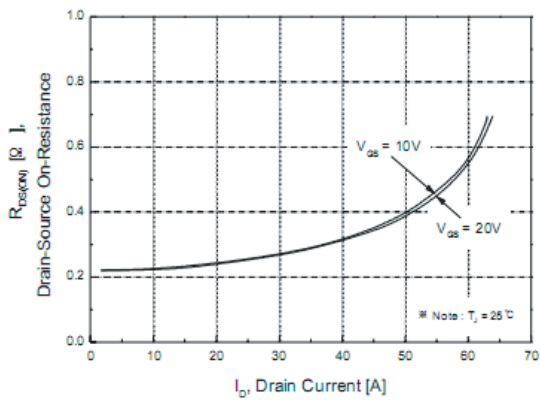
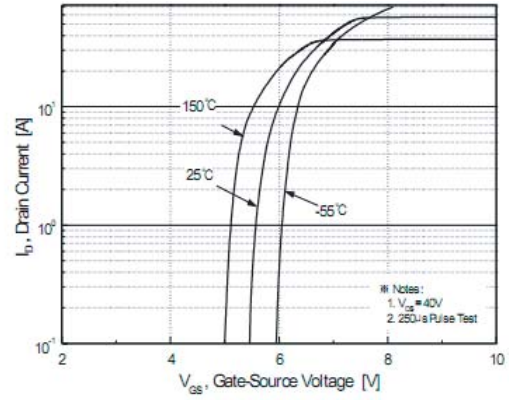
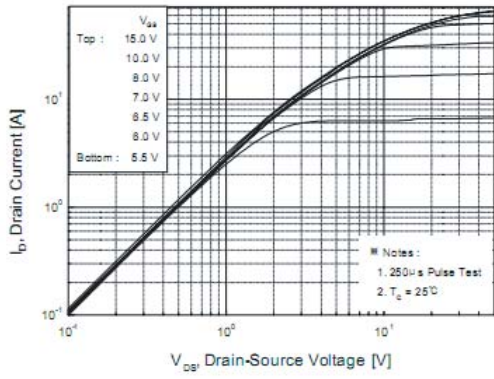
Symbol	Parameter	Conditions	Min	Typ	Max	Units
OFF CHARACTERISTICS						
BV _{DSS}	Drain-Source Breakdown Voltage	V _{GS} =0V , I _D =250uA	500			V
I _{DSS}	Zero Gate Voltage Drain Current	V _{DS} =400V , V _{GS} =0V			1	uA
I _{GSS}	Gate-Body Leakage Current	V _{GS} = ±30V , V _{DS} =0V			±100	nA
ON CHARACTERISTICS						
V _{GS(th)}	Gate Threshold Voltage	V _{DS} =V _{GS} , I _D =250uA	3		5	V
R _{DS(ON)}	Drain-Source On-State Resistance	V _{GS} =10V , I _D =9.0A		0.25	0.32	ohm
DYNAMIC CHARACTERISTICS^b						
C _{iss}	Input Capacitance	V _{DS} =25V, V _{GS} =0V f=1.0MHz		2500		pF
C _{oss}	Output Capacitance			400		pF
C _{rss}	Reverse Transfer Capacitance			40		pF
SWITCHING CHARACTERISTICS^b						
t _{D(ON)}	Turn-On Delay Time	V _{DD} =250V I _D =1A R _{GEN} = 25 ohm		70		ns
t _r	Rise Time			190		ns
t _{D(OFF)}	Turn-Off Delay Time			100		ns
t _f	Fall Time			100		ns
Q _g	Total Gate Charge	V _{DS} =400V, I _D =1A, V _{GS} =10V		50		nC
Q _{gs}	Gate-Source Charge	V _{DS} =400V, I _D =1A, V _{GS} =10V		14		nC
Q _{gd}	Gate-Drain Charge			22		nC
DRAIN-SOURCE DIODE CHARACTERISTICS AND MAXIMUM RATINGS						
V _{SD}	Diode Forward Voltage	V _{GS} =0V, I _S =18A			1.5	V
Notes						
<p>a. Drain current limited by maximum junction temperature.</p> <p>b. Guaranteed by design, not subject to production testing.</p> <p>c. Starting T_J=25°C, L=5.5mH, V_{DD} = 50V.</p>						

Dec,24,2013

SDP18N50

SDF18N50

Ver 1.1



Dec,24,2013

SDP18N50

SDF18N50

Ver 1.1

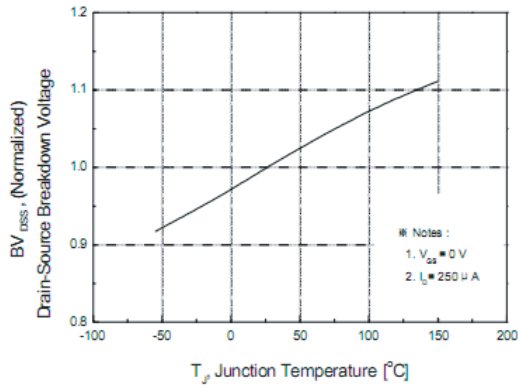


Figure 7. Breakdown Voltage Variation vs Temperature

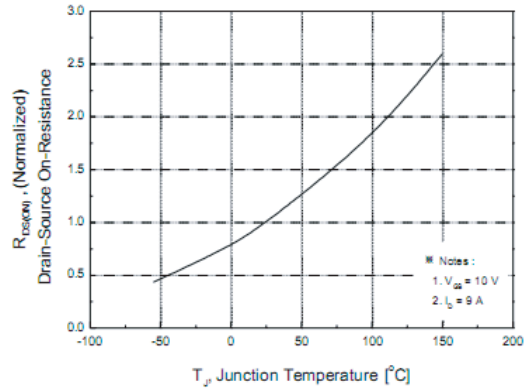


Figure 8. On-Resistance Variation vs Temperature

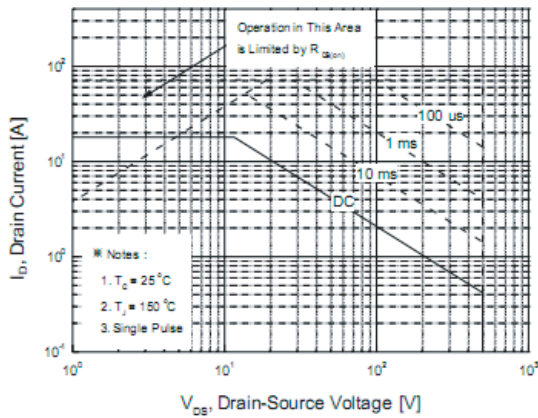


Figure 9-1. Maximum Safe Operating Area for TO220

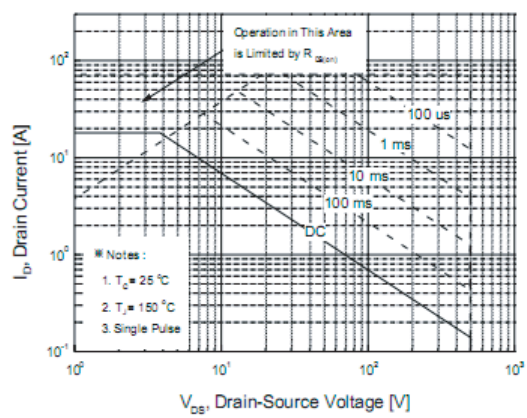


Figure 9-2. Maximum Safe Operating Area for TO220F

Dec.24,2013

SDP18N50

SDF18N50

Ver 1.1

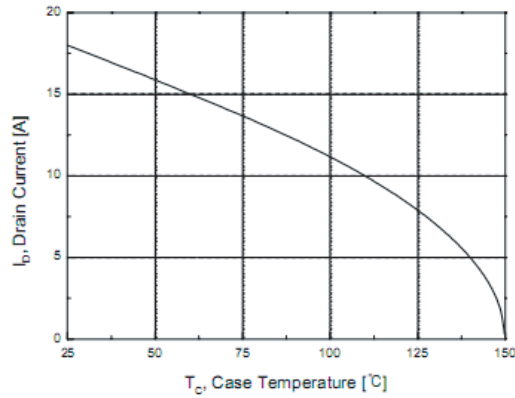


Figure 10-1. Maximum Drain Current vs Case Temperature

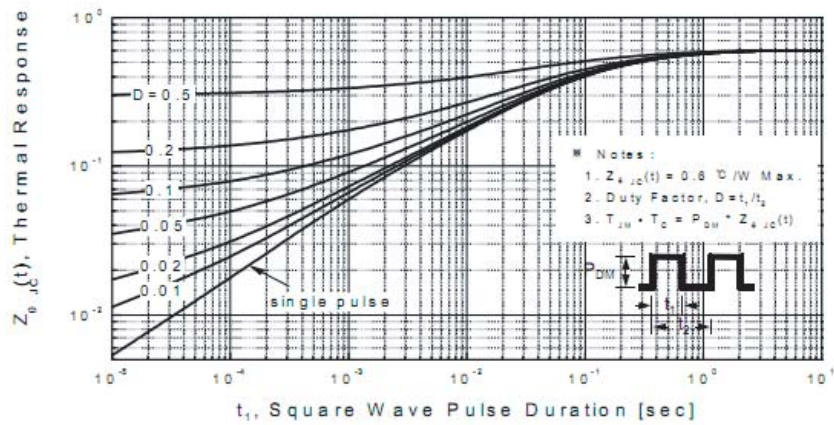


Figure 11-1. Transient Thermal Response Curve for TO220

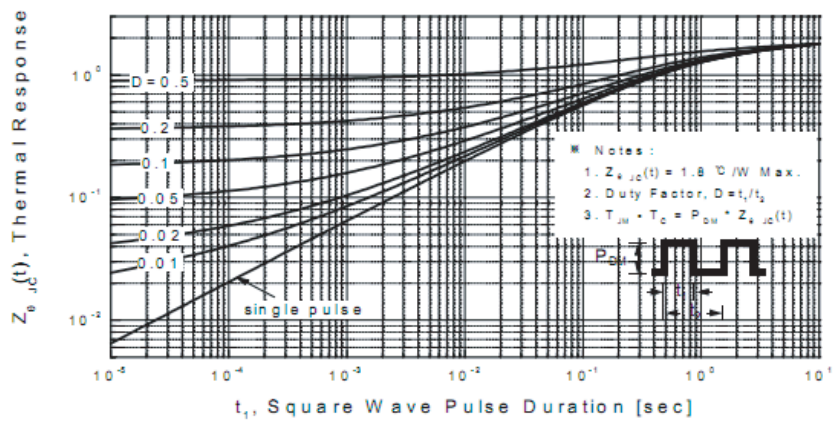


Figure 11-2. Transient Thermal Response Curve for TO220F

Dec,24,2013

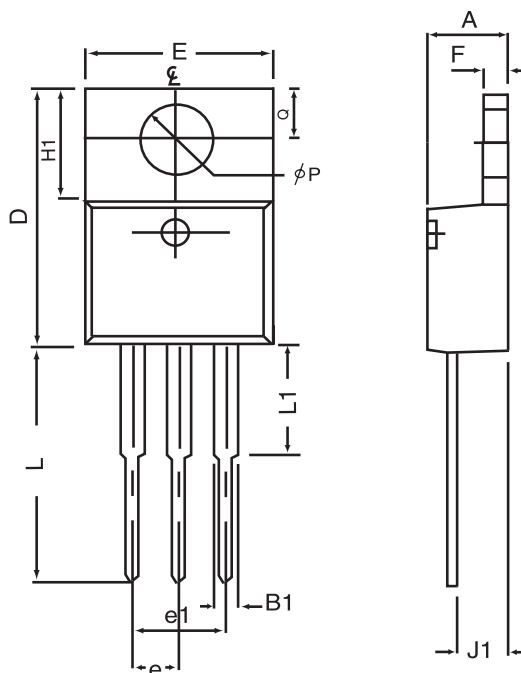
SDP18N50

SDF18N50

Ver 1.1

PACKAGE OUTLINE DIMENSIONS

TO-220



SYMBOLS	MILLIMETERS		INCHES	
	MIN	MAX	MIN	MAX
A	4.32	4.80	0.170	0.189
B1	1.27	1.65	0.050	0.630
D	14.6	16.00	0.575	0.610
E	9.70	10.41	0.382	0.410
e	2.34	2.74	0.092	0.108
e1	4.68	5.48	0.184	0.216
F	1.14	1.40	0.045	0.055
H1	5.97	6.73	0.235	0.265
J1	2.20	2.79	0.087	0.110
L	12.88	14.22	0.507	0.560
L1	3.00	6.35	0.120	0.250
ϕP	3.50	3.94	0.138	0.155
Q	2.54	3.05	0.100	0.120

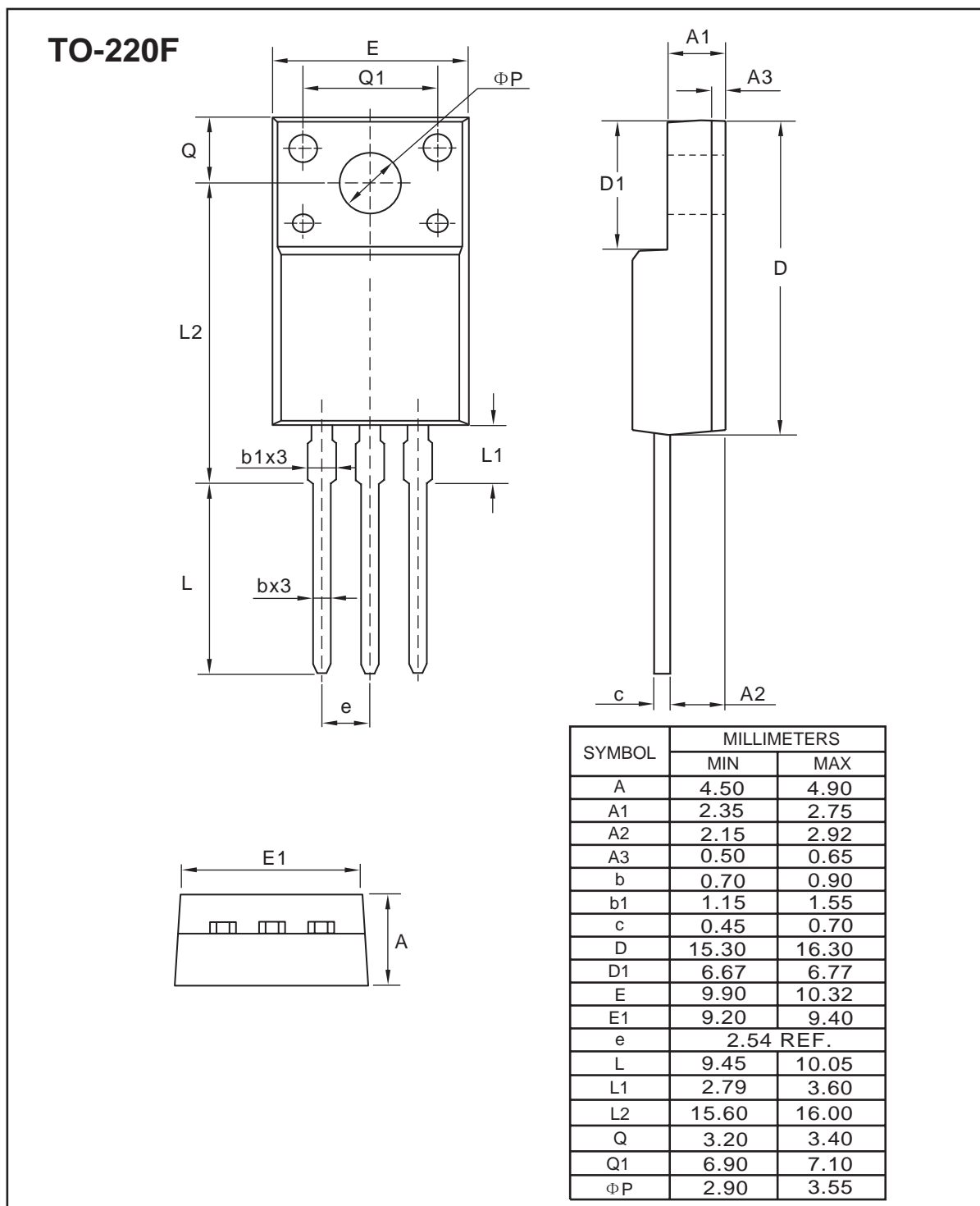
Dec,24,2013

SDP18N50

SDF18N50

Ver 1.1

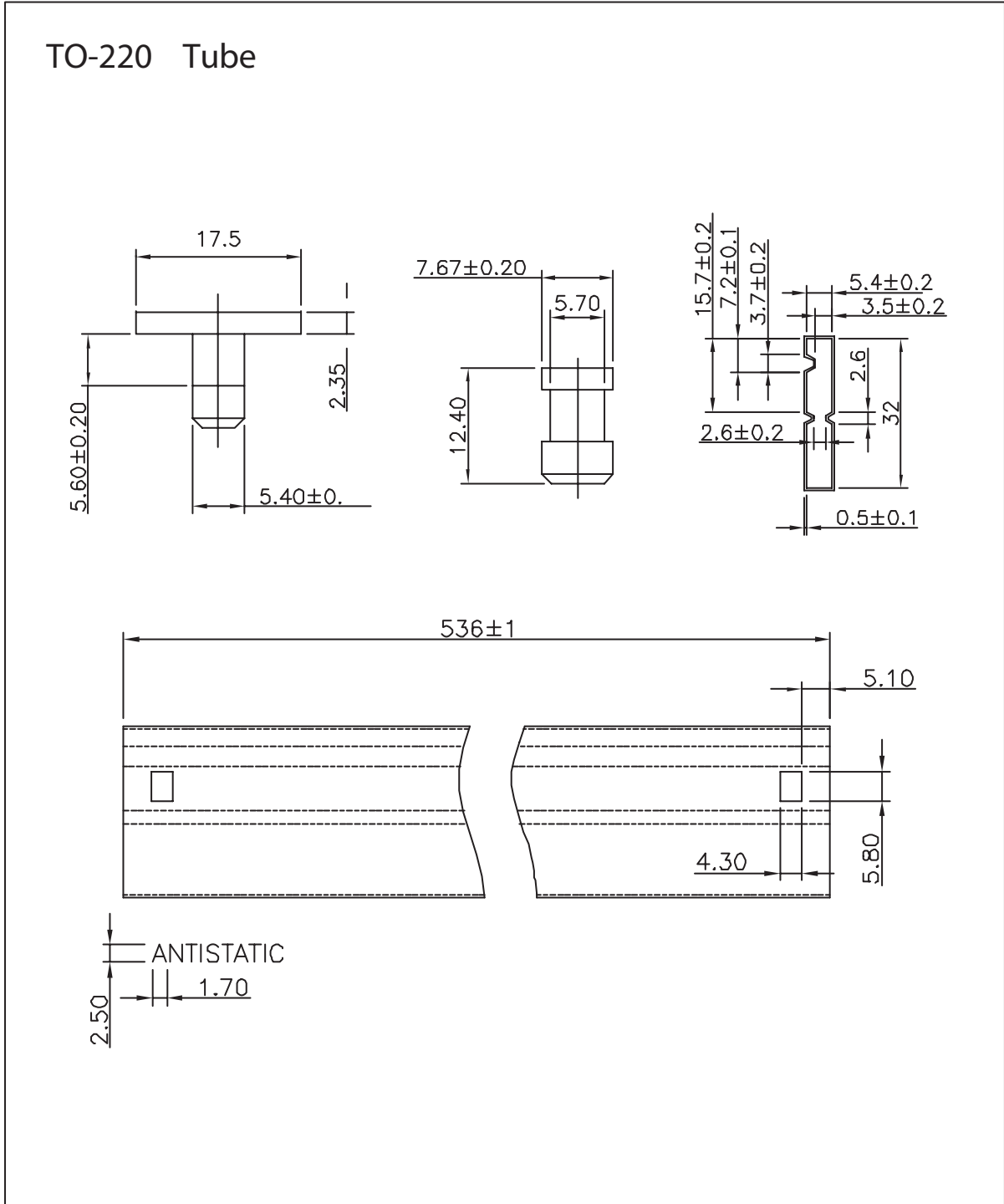
PACKAGE OUTLINE DIMENSIONS



Dec,24,2013

SDP18N50 SDF18N50

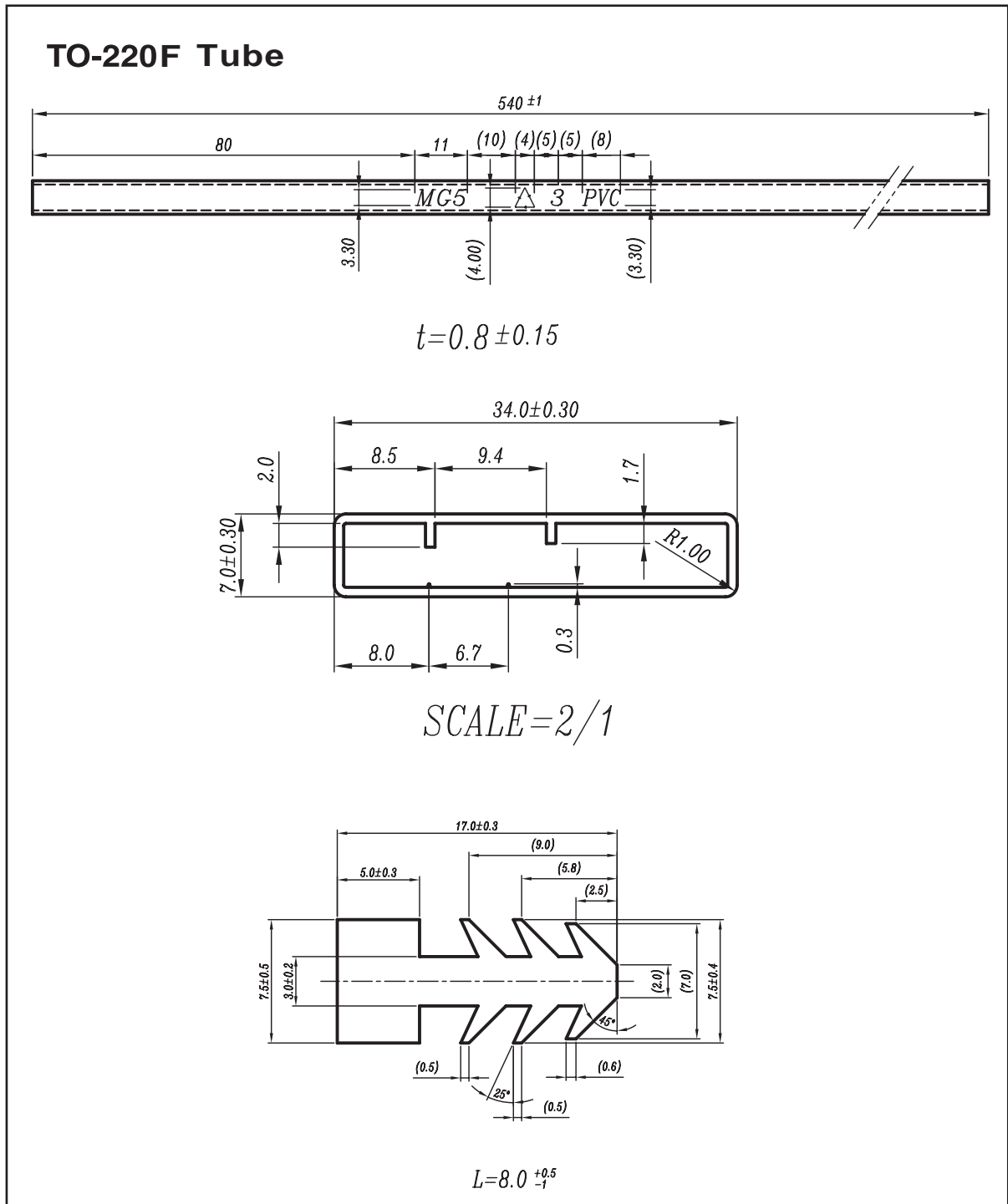
Ver 1.1



Dec,24,2013

SDP18N50 SDF18N50

Ver 1.1



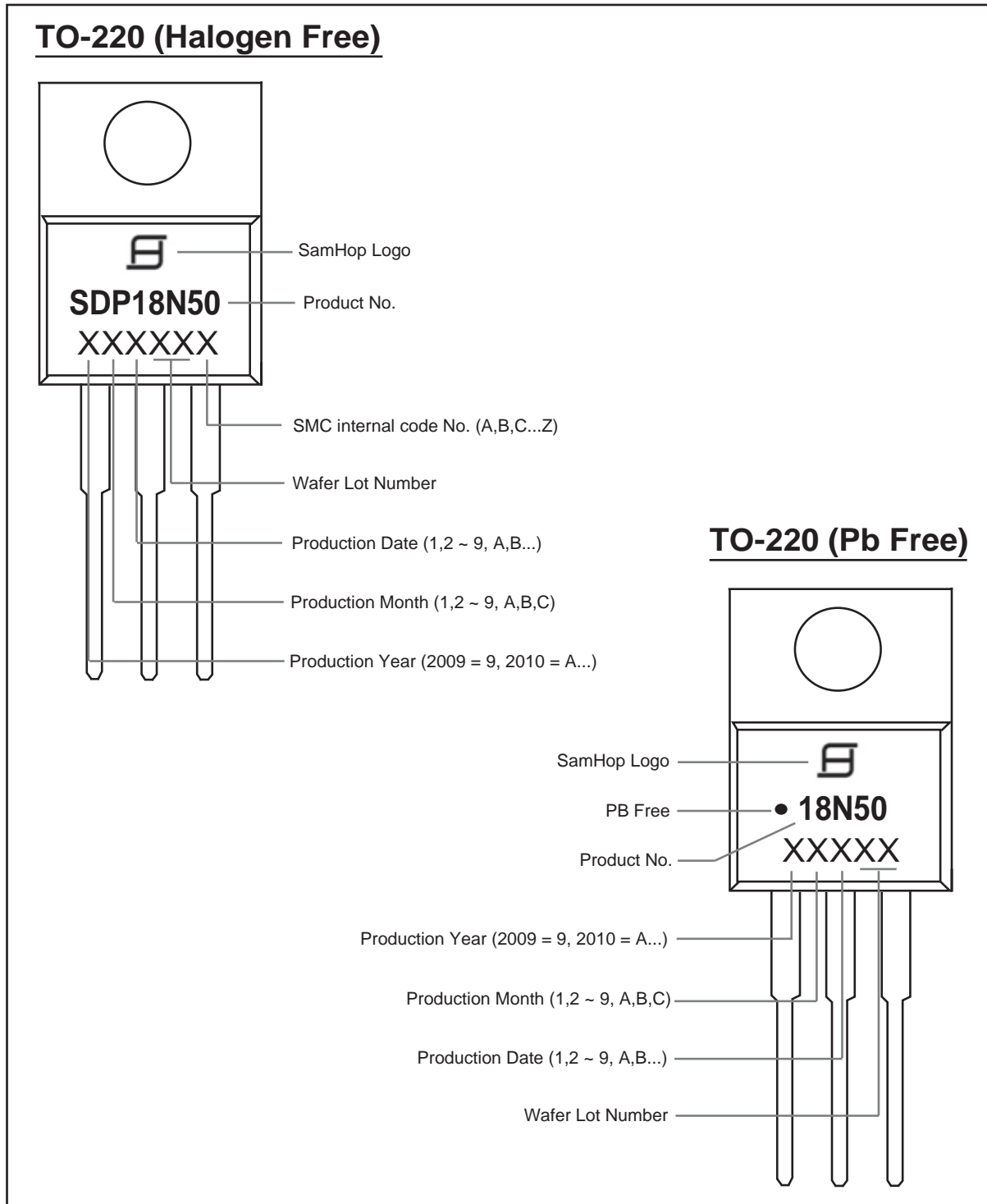
Dec,24,2013

SDP18N50

SDF18N50

Ver 1.1

TOP MARKING DEFINITION



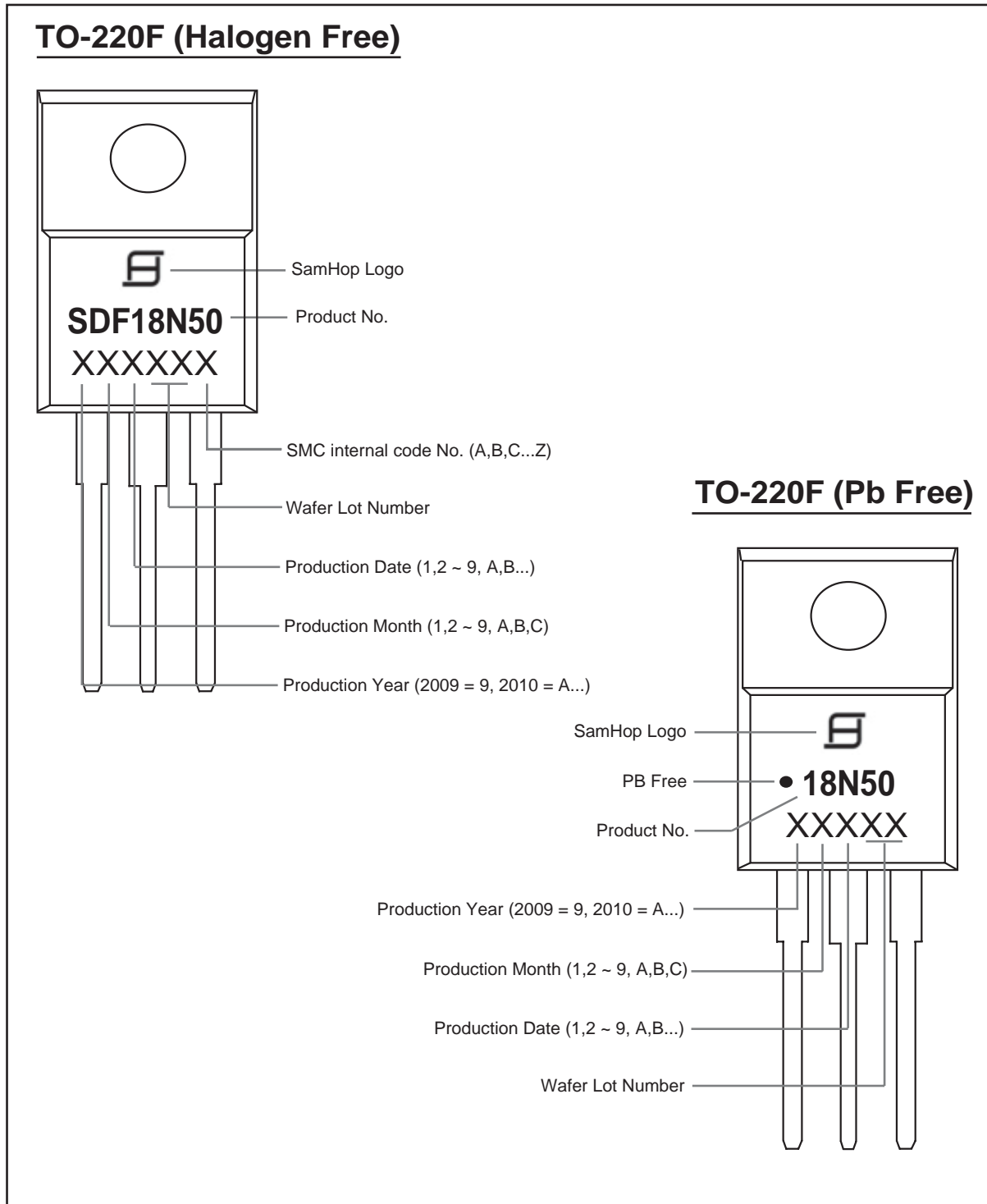
Dec,24,2013

SDP18N50

SDF18N50

Ver 1.1

TOP MARKING DEFINITION



Dec,24,2013