



SOLID STATE DEVICES, INC.

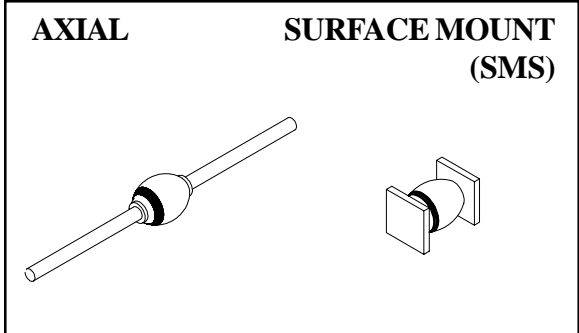
14830 Valley View Blvd * La Mirada, Ca 90638
 Phone: (562) 404-7855 * Fax: (562) 404-1773
 ssdi@ssdi-power.com * www.ssdi-power.com

**SDH20UF & UFSMS
 thru
 SDH60UF & UFSMS**

Designer's Data Sheet

**1 - 1.5 AMPS
 2000 - 6000 VOLTS
 ULTRA FAST RECOVERY
 HIGH VOLTAGE
 RECTIFIER**

- FEATURES:**
- Ultra Fast Recovery: 90 nsec Maximum
 - PIV to 6000 Volts
 - Hermetically Sealed Axial and Surface Mount Package
 - Void-Free Construction
 - Metallurgically Bonded
 - 175°C Maximum Operating Temperature
 - Replacement for 1N6512 thru 1N6518 and 1N6520 thru 1N6526 in Many Applications.
 - TX, TXV, and Space Level Screening Available
 - Available in Fast and Hyper Fast versions. Contact Factory.



ELECTRICAL CHARACTERISTICS

Part Number	Peak Inverse Voltage	Average Rectified Current		Maximum Reverse Current		Maximum Forward Voltage	Maximum Surge Current (1 Cycle)	Maximum Reverse Recovery Time	Maximum Junction Capacitance	Typical Thermal Impedance	
		I_0		I_R @ PIV						θ_{JE}	θ_{JL}
Symbol	PIV	I_0		I_R @ PIV		V_F ^{2/}	I_{FSM}	t_{RR} ^{5/}	C_J	$^{\circ}C/W$	
Units	Volts	A		μA		Volts	Amps	nsec	pF	$^{\circ}C/W$	
Conditions		25°C	100°C	25°C	100°C	25°C	25°C	25°C	$V_R = 100V$ $f_r = 1MHZ$		$L=1/8"$
SDH20UF	2000	1.5	1.0	1.0	25	7.5	60	90	10	4	8
SDH25UF	2500	1.5	1.0	1.0	25	7.5	60	90	10	4	8
SDH30UF	3000	1.5	1.0	1.0	25	7.5	60	90	10	4	8
SDH40UF	4000	1.0	0.5	1.0	25	10.5	40	90	8	4	8
SDH50UF	5000	1.0	0.5	1.0	25	10.5	40	90	8	4	8
SDH60UF	6000	1.0	0.5	1.0	25	10.5	40	90	8	4	8

- NOTES:**
1. Operating and testing over 10,000 V/inch may require encapsulation or immersion in suitable dielectric material.
 2. $I_F = I_0$; Maximum forward voltage measured with instantaneous forward pulse of 300 μ sec minimum.
 3. Maximum lead/end tab temperature for soldering is 250°C, 3/8" from case for 5 sec maximum.
 4. Operating and Storage temperature: -65 to +175°C.
 5. Reverse Recovery Test Conditions: $I_F = 0.5A$, $I_R = 1.0A$, $I_{RR} = 0.25A$, $T_A = 25^{\circ}C$.

NOTE: All specifications are subject to change without notification. SCD's for these devices should be reviewed by SSDI prior to release.

DATA SHEET # : RC0059C

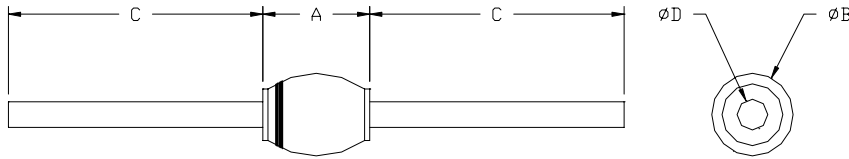
**SDH20UF & UFSMS
thru
SDH60UF & UFSMS**



SOLID STATE DEVICES, INC.

14830 Valley View Blvd * La Mirada, Ca 90638
Phone: (562) 404-7855 * Fax: (562) 404-1773
ssdi@ssdi-power.com * www.ssdi-power.com

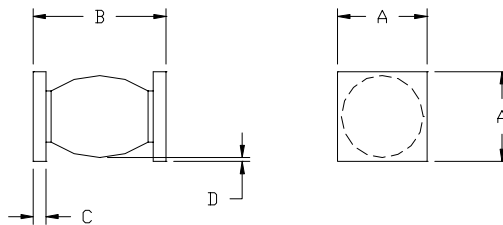
PACKAGE OUTLINE: AXIAL RECTIFIER



DIMENSIONS

DIM	MIN.	MAX.
A	0.230"	0.270"
B	--	0.180"
C	1.00"	--
D	0.047"	0.053"

CASE OUTLINE: SURFACE MOUNT SQUARE TAB (SMS)



DIMENSIONS

DIM	MIN.	MAX.
A	0.195"	0.205"
B	0.280"	0.320"
C	0.020"	0.030"
D	0.002"	--

NOTES:

Consult manufacturing for operating curves.