

# SMD POWER INDUCTORS

MODEL NO. : SDT-1204P SERIES (CDRH124B COMPATIBLE)

**FEATURES:**

- \* SUPERIOR QUALITY FOR AN AUTOMATED PRODUCTION LINE.
- \* PICK AND PLACE COMPATIBLE.
- \* TAPE AND REEL PACKING.

**APPLICATION :**

- \* NOTEBOOK COMPUTERS. \* PDA. \*ROGIC IC POWER SUPPLY

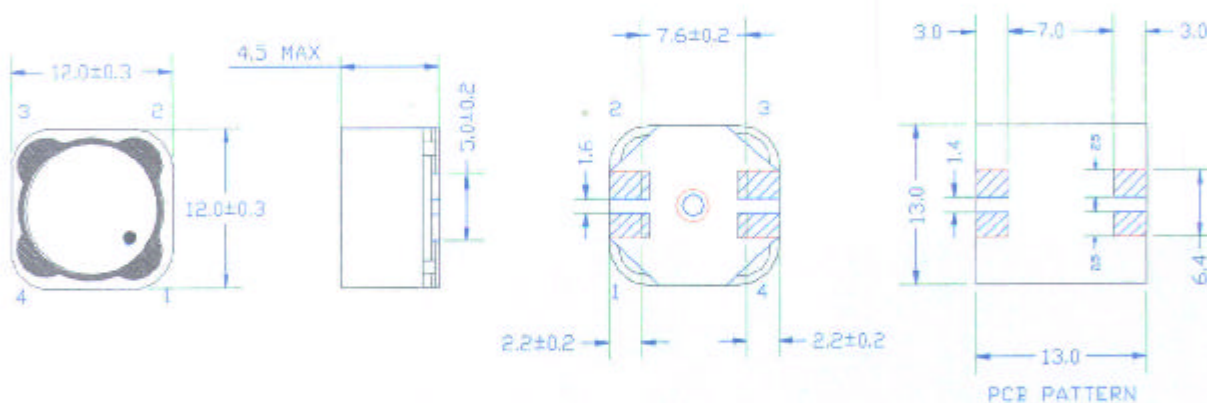


**ELECTRICAL SPECIFICATION:**

MODEL NO	INDUCTANCE ( $\mu\text{H} \pm 30\%$ ) PRI	TURN RATIO PRI : SEC	RATED CURRENT (ADC)		DCR MAX ( $\Omega$ )	
			PRI	SEC	PRI	SEC
SDT-1204P-9R0-121	9.0	1:2.1	3.6	0.20	0.040	0.45

NOTE(1): TEST FREQUENCY: 1 kHz, 1 VRMS.

**PHYSICAL DIMENSION(UNIT : mm)**



**TEST CIRCUIT :**

