

DESCRIPTION

The SE26T30B05E is designed to protect sensitive electronics from damage or latch-up due to ESD and other voltage-induced transient events. Each device will protect up to five lines. It is available with operating voltages of 5V. It is unidirectional device and may be used on lines where the signal polarities are above ground.

TVS diodes are solid-state devices designed specifically for transient suppression. They feature large cross-sectional area junctions for conducting high transient currents. They offer desirable characteristics for board level protection including fast response time, low operating and clamping voltage and no device degradation.

The SE26T30B05E may be used to meet the immunity requirements of IEC 61000-4-2, level 4. The low cost SOT23-6 package makes them ideal for use in portable electronics such as cell phones, PDA's, and notebook computers.



SOT-23-6 PACKAGE

FEATURES

- >Small package for use in portable electronics
- >Protects five I/O lines
- >Working voltages: 5V
- >Low leakage current
- >Low operating and clamping voltages
- >Solid-state silicon avalanche technology

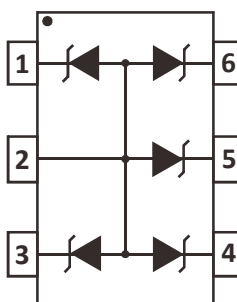
APPLICATIONS

- >Cell phone Handsets and Accessories
- >Microprocessor Based Equipment
- >Personal Digital Assistants (PDA's)
- >Notebooks, Desktops, and Servers
- >Portable Instrumentation
- >Set Top Box
- >Peripherals

IEC COMPATIBILITY

- >IEC 61000-4-2(ESD)±15KV(air),±8KV(contact)
- >IEC61000-4-4 (EFT) 40A (5/50ns)
- >IEC61000-4-5 (Lightning) 12A (8/20μs)

PIN CONFIGURATIONS



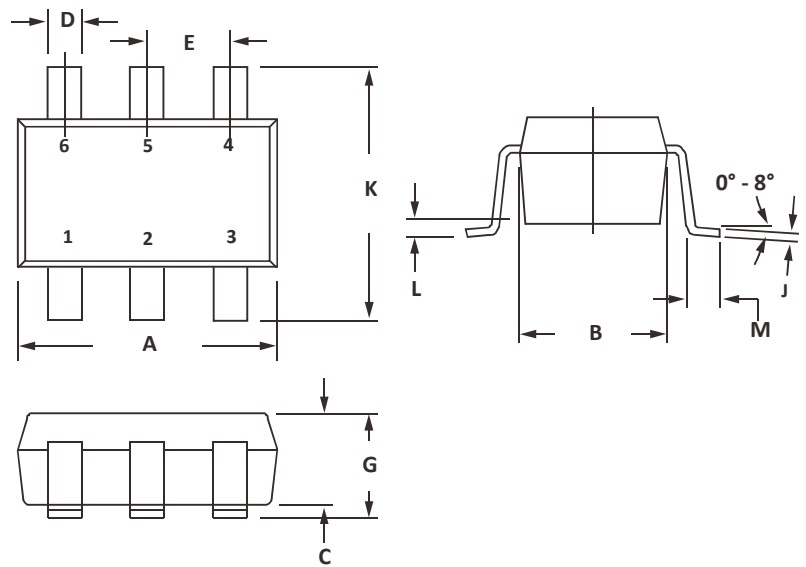
TYPICAL DEVICE CHARACTERISTICS

MAXIMUM RATINGS @ 25°C UNLESS OTHERWISE SPECIFIED			
PARAMETER	SYMBOL	VALUE	UNIT
Peak Pulse Power (tp=8/20μs waveform)	PPP	300	Watts
Lead Soldering Temperature	T _L	260(10 sec.)	°C
Operating Temperature Range	T _J	-55~125	°C
Storage Temperature Range	T _{STG}	-55~150	°C

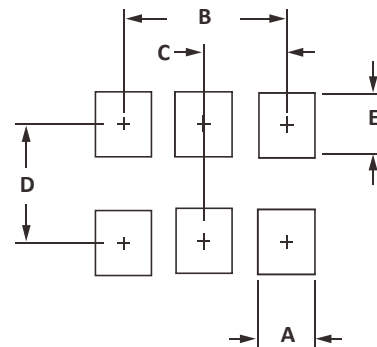
ELECTRICAL CHARACTERISTICS PER LINE @ 25°C UNLESS OTHERWISE SPECIFIED									
PART NUMBER	DEVICE MARKING	V _{RWM} (V) Max.	V _B (V) Min.	I _T (mA)	V _C @1A Max.	V _C		I _R (μA) Max.	C _T (pF) Max.
						Max.	@A		
SE26T30B05E	TC5	5.0	6.0	1	9.8	15	24	5	200

SOT-23-6 PACKAGE INFORMATION

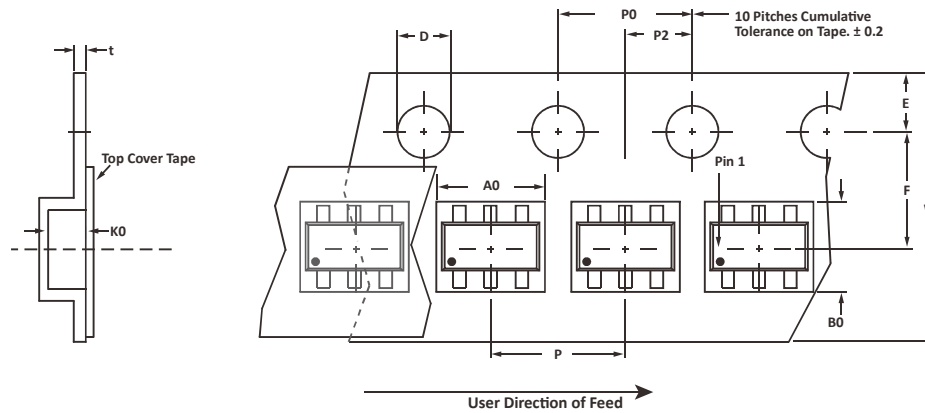
OUTLINE DIMENSIONS				
DIM	MILLIMETERS		INCHES	
	MIN	MAX	MIN	MAX
A	2.80	3.05	0.110	0.120
B	1.50	1.75	0.059	0.070
C	0.90	1.30	0.036	0.051
D	0.30	0.40	0.012	0.016
E	0.85	1.05	0.033	0.040
G	0.90	1.45	0.036	0.057
J	0.09	0.20	0.003	0.008
K	2.60	3.00	0.102	0.118
L	0.0	0.15	0.0	0.006
M	0.30	0.60	0.012	0.024



PAD LAYOUT DIMENSIONS		
DIM	MILLIMETERS	INCHES
	NOMINAL	NOMINAL
A	0.70	0.028
B	1.90	0.074
C	0.95	0.037
D	2.40	0.094
E	1.00	0.039



TAPE AND REEL



SPECIFICATIONS

REEL DIA.	TAPE WIDTH	A0	B0	K0	D	E	F	W	P0	P2	P	tmax
178mm (7")	8mm	3.20 ± 0.10	3.20 ± 0.10	1.65 ± 0.10	1.50 ± 0.10	1.75 ± 0.10	3.50 ± 0.05	8.00 ± 0.30	4.00 ± 0.10	2.00 ± 0.05	4.00 ± 0.10	0.25

NOTES

1. Dimensions are in millimeters.
2. Surface mount product is taped and reeled in accordance with EIA-481.
3. Suffix - T7 = 7" Reel - 3,000 pieces per 8mm tape.

ORDERING INFORMATION

BASE PART NUMBER	LEAD FREE SUFFIX	TAPE SUFFIX	QTY/REEL	REEL SIZE	TUBE QTY
SE26T30B05E	-LF	-T7	3,000	7"	n/a

This device is only available in a Lead-Free configuration.



CONTACT US

Headquarters

A Building Caohejing I&E Park Pujiang Minhang Shanghai
China

Hotline

400-021-5756

Web

<http://www.semiwill.com>

By Telephone

General: 86-21-3463-7173

Sales: 86-21-3463-7172

Customer Service: 86-21-3463-7173-8810/8826

Technical Support: 86-21-3463-7173-8811

By Email

Sales: sales08@semiwill.com

Customer Service: sales17@semiwill.com

Technical Support: fae01@semiwill.com

By Fax

General: 86-21-3965-0654

Sales: 86-21-3463-7458

COPYRIGHT ©Semiwill 2009 - This literature is subject to all applicable copyright laws and is not for resale in any manner.

SPECIFICATIONS: Semiwill reserves the right to change the electrical and or mechanical characteristics described herein without notice.

DESIGN CHANGES : Semiwill reserves the right to discontinue product lines without notice and that the final judgement concerning selection and specifications is the buyer's and that in furnishing engineering and technical assistance. Semiwill assumes no responsibility with respect to the selection or specifications of such products. Semiwill makes no warranty, representation or guarantee regarding the suitability of its products for any particular purpose, nor does Semiwill assume any liability arising out of the application or use of any product or circuit and specifically disclaims any and all liability without limitation special, consequential or incidental damages.

LIFE SUPPORT POLICY: Semiwill products are not authorized for use in life support systems without written consent from the factory.

