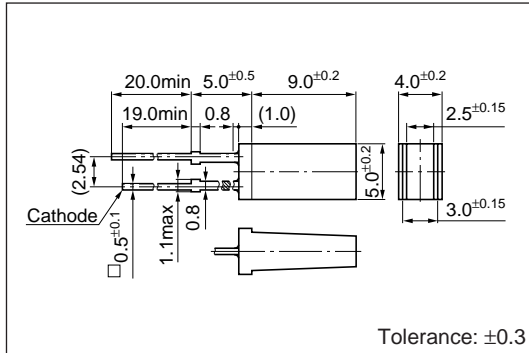


2.5×5 Rectangular LED

SEL1022 Series

External Dimensions (Unit: mm)



Absolute maximum ratings (Ta=25°C)

Symbol	Unit	Rating	Condition
I _F	mA	30	
ΔI _F	mA/°C	-0.45	Above 25°C
I _{FP}	mA	100	f=1kHz, tw≤100μs
V _R	V	3	
Top	°C	-30 to +85	
Tstg	°C	-30 to +100	

Electrical Optical characteristics (Ta=25°C)

Emitting color	Part Number	Lens color	Forward voltage		Reverse current		Intensity		Peak wavelength		Spectrum half width		Chip material
			V _F (V)		I _R (μA)	V _R (V)	I _v (mcd)	I _F (mA)	λ _P (nm)	I _F (mA)	Δλ (nm)	I _F (mA)	
			typ	max	max	Condition I _F (mA)	typ	Condition I _F (mA)	typ	Condition I _F (mA)	typ	Condition I _F (mA)	
Red	SEL1222R	Diffused red	1.9	2.5	50	3	9.0	20	630	10	35	10	GaAsP
Amber	SEL1822D	Diffused orange	1.9	2.5	50	3	4.8	10	610	10	35	10	
Orange	SEL1922D	Diffused orange	1.9	2.5	50	3	4.5	10	587	10	33	10	
Yellow	SEL1722Y	Diffused yellow	2.0	2.5	50	3	7.8	10	570	10	30	10	GaP
	SEL1722K	Transparent yellow					12						
Green	SEL1422G	Diffused green	2.0	2.5	50	3	7.2	20	560	10	20	10	