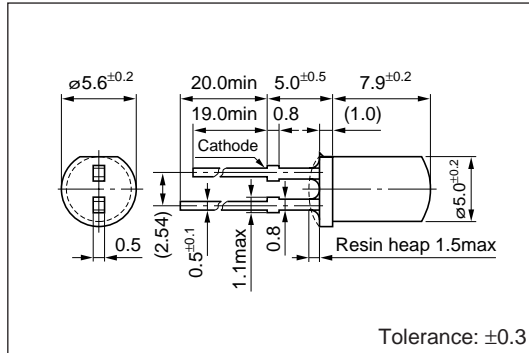


5 ϕ Cylindrical LED

SEL1011 Series

External Dimensions (Unit: mm)



Absolute maximum ratings (Ta=25°C)

Symbol	Unit	Rating	Condition
I _F	mA	30	
ΔI_F	mA/°C	-0.45	Above 25°C
I _{FP}	mA	100	f=1kHz, tw≤100μs
V _R	V	3	
Top	°C	-30 to +85	
Tstg	°C	-30 to +100	

Electrical Optical characteristics (Ta=25°C)

Emitting color	Part Number	Lens color	Forward voltage			Reverse current			Intensity		Peak wavelength		Spectrum half width		Chip material		
			V _F (V)		Condition	I _R (μA)	Condition	V _R (V)	I _v (mcd)	Condition	I _F (mA)	λ _P (nm)	Condition	Δλ (nm)		Condition	I _F (mA)
			typ	max	I _F (mA)	max		typ	I _F (mA)	typ	I _F (mA)	typ	I _F (mA)				
Deep red	SEL1111R	Diffused red	2.0	2.5	10	50	3	1.4	10	700	10	100	10	GaP			
Red	SEL1211R	Diffused red	1.9	2.5	10	50	3	12	20	630	10	35	10	GaAsP			
Amber	SEL1811D	Diffused orange	1.9	2.5	10	50	3	8.0	10	610	10	35	10				
Orange	SEL1911D	Diffused orange	1.9	2.5	10	50	3	8.0	10	587	10	33	10				
Yellow	SEL1711Y	Diffused yellow	2.0	2.5	10	50	3	13	10	570	10	30	10	GaP			
Green	SEL1411G	Diffused green	2.0	2.5	10	50	3	30	20	560	10	20	10				