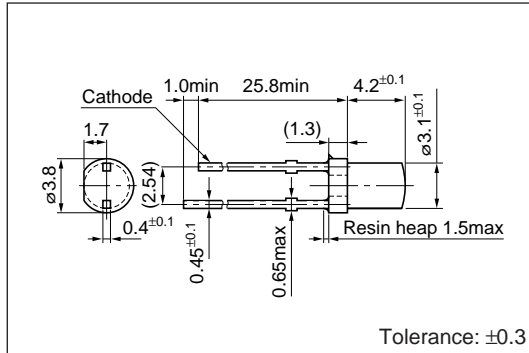


# 3 $\phi$ Cylindrical LED

## SEL2011 Series

### External Dimensions (Unit: mm)



### Absolute maximum ratings (Ta=25°C)

Symbol	Unit	Rating	Condition
$I_F$	mA	30	
$\Delta I_F$	mA/°C	-0.45	Above 25°C
$I_{FP}$	mA	100	f=1kHz, tw $\leq$ 100 $\mu$ s
$V_R$	V	3	
Top	°C	-30 to +85	
Tstg	°C	-30 to +100	

### Electrical Optical characteristics (Ta=25°C)

Emitting color	Part Number	Lens color	Forward voltage			Reverse current			Intensity		Peak wavelength		Spectrum half width		Chip material
			$V_F$ (V)		Condition $I_F$ (mA)	$I_R$ ( $\mu$ A)	Condition $V_R$ (V)	$I_v$ (mcd)	Condition $I_F$ (mA)	$\lambda_P$ (nm)	Condition $I_F$ (mA)	$\Delta\lambda$ (nm)	Condition $I_F$ (mA)		
			typ	max										typ	
Deep red	SEL2111R	Diffused red	2.0	2.5	10	50	3	0.7	10	700	10	100	10	GaP	
Orange	SEL2911D	Diffused orange	1.9	2.5	10	50	3	3.3	10	587	10	33	10	GaAsP	
Green	SEL2411G	Diffused green	2.0	2.5	10	50	3	18	20	560	10	20	10	GaP	