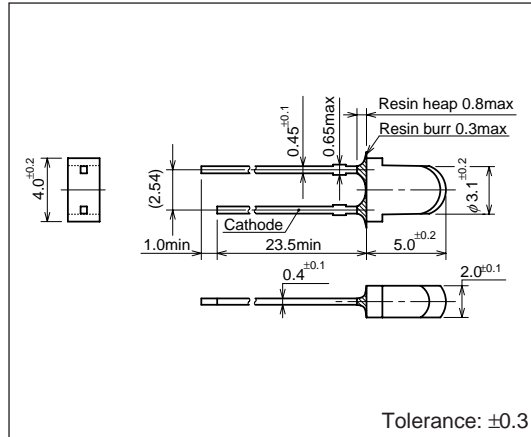


# 3.1 $\phi$ Bow-shaped LED

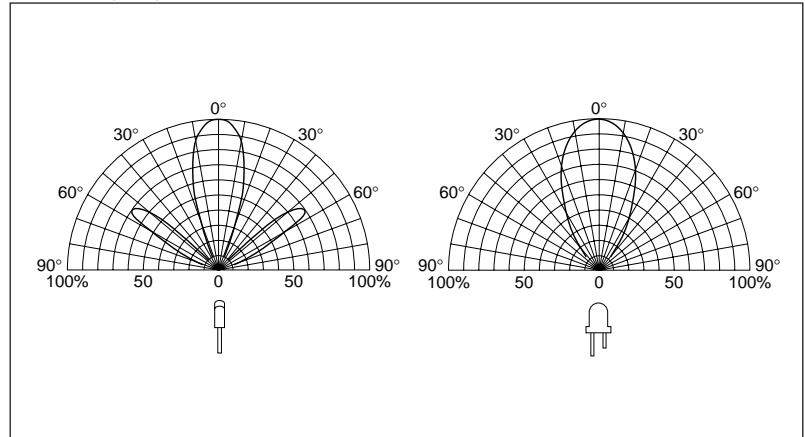
## SEL4028 Series

### External Dimensions

(Unit: mm)



### Directivity (Typical)



### Absolute maximum ratings (Ta=25°C)

Symbol	Unit	Rating	Condition
$I_F$	mA	30	
$\Delta I_F$	mA/°C	-0.45	Above 25°C
$I_{FP}$	mA	100	$f=1\text{kHz}$ , $t_w \leq 100\mu\text{s}$
$V_R$	V	3	
Top	°C	-30 to +85	
Tstg	°C	-30 to +100	

### Electrical Optical characteristics (Ta=25°C)

Emitting color	Part Number	Lens color	Forward voltage			Reverse current		Intensity		Peak wavelength		Spectrum half width		Chip material
			$V_F$ (V)		Condition $I_F$ (mA)	$I_R$ ( $\mu\text{A}$ ) max	$V_R$ (V)	$I_v$ (mcd) typ	Condition $I_F$ (mA)	$\lambda_P$ (nm) typ	Condition $I_F$ (mA)	$\Delta\lambda$ (nm) typ	Condition $I_F$ (mA)	
			typ	max										
High-intensity red	SEL4628C-S	Clear	1.7	2.2	10	100	3	200	20	660	10	30	10	GaAlAs
Red	SEL4228C	Clear	1.9	2.5	10	50	3	27	20	630	10	35	10	GaAsP
Amber	SEL4828A	Transparent orange	1.9	2.5	10	50	3	14	10	610	10	35	10	
Orange	SEL4928A	Transparent orange	1.9	2.5	10	50	3	14	10	587	10	33	10	
Yellow	SEL4728K	Transparent yellow	2.0	2.5	10	50	3	30	10	570	10	30	10	GaP
Green	SEL4428E	Transparent green	2.0	2.5	10	50	3	63	20	560	10	20	10	
Deep green	SEL4428B-TG	Transparent dark blue	2.0	2.5	10	50	3	18	20	558	10	20	10	
Pure green	SEL4528C	Clear	2.0	2.5	10	50	3	30	20	555	10	20	10	