

# 3.1 $\phi$ Bow-shaped LED (Direct Mount)

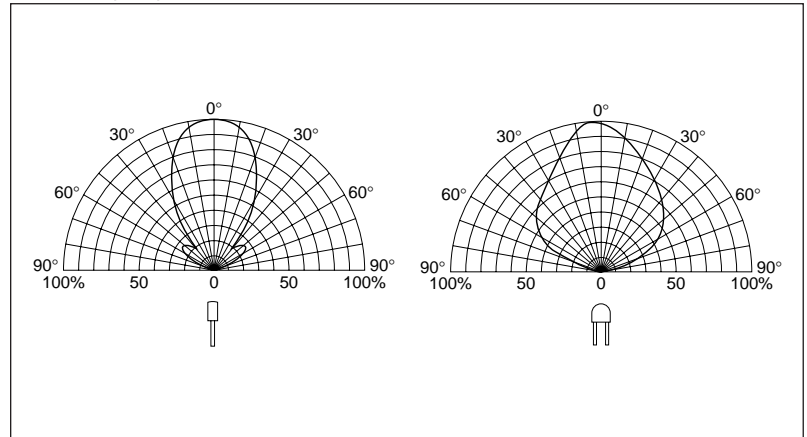
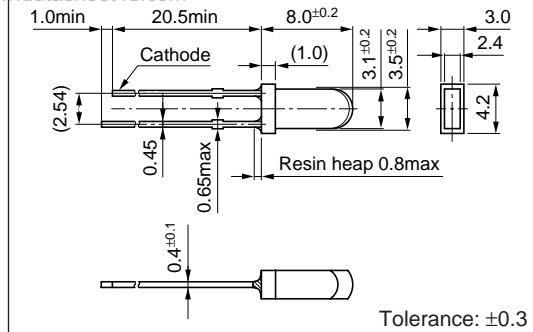
## SEL4029 Series

### External Dimensions

(Unit: mm)

### Directivity (Typical)

www.datasheet4u.com



### Absolute maximum ratings (Ta=25°C)

Symbol	Unit	Rating	Condition
$I_F$	mA	30	
$\Delta I_F$	mA/°C	-0.45	Above 25°C
$I_{FP}$	mA	100	$f=1\text{kHz}$ , $t_w \leq 100\mu\text{s}$
$V_R$	V	3	
Top	°C	-30 to +85	
Tstg	°C	-30 to +100	

### Electrical Optical characteristics (Ta=25°C)

Emitting color	Part Number	Lens color	Forward voltage		Reverse current		Intensity		Peak wavelength		Spectrum half width		Chip material	
			$V_F$		$I_R$	Condition	$I_v$	Condition	$\lambda_P$	Condition	$\Delta\lambda$	Condition		
			(V)	$I_F$										( $\mu\text{A}$ )
			typ	max	(mA)	max	(V)	typ	(mA)	typ	(mA)	typ	(mA)	
Red	SEL4229R	Diffused red	1.9	2.5	10	50	3	21	20	630	10	35	10	GaAsP
Amber	SEL4829A	Transparent orange	1.9	2.5	10	50	3	18	10	610	10	35	10	
Orange	SEL4929A	Transparent orange	1.9	2.5	10	50	3	18	10	587	10	33	10	
Yellow	SEL4729KH	Transparent yellow	2.0	2.5	10	50	3	60	10	570	10	30	10	GaP
Green	SEL4429E	Transparent green	2.0	2.5	10	50	3	60	20	560	10	20	10	