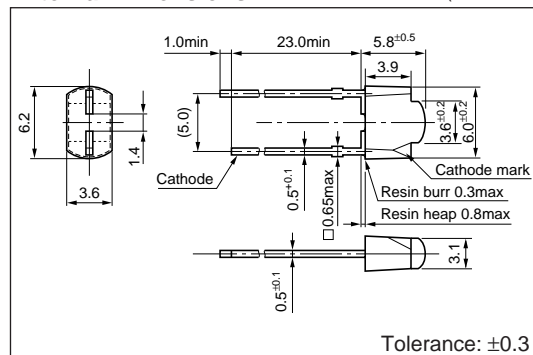


# 5-mm Pitch Lead Bow-shaped LED (Direct Mount)

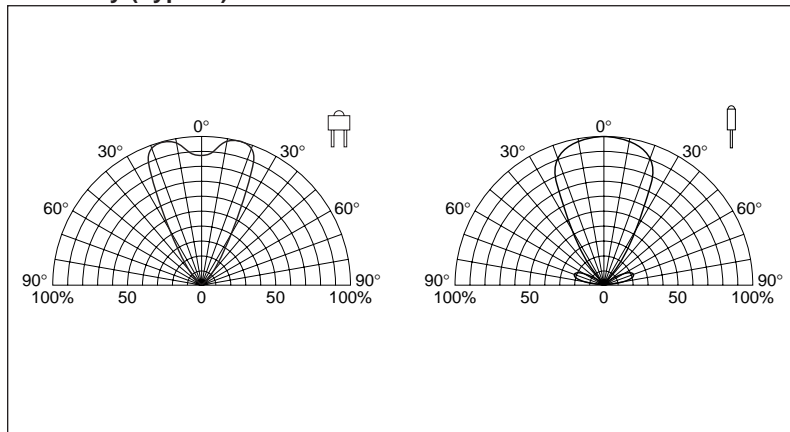
## SEL5023 Series

### External Dimensions

(Unit: mm)



### Directivity (Typical)



### Absolute maximum ratings (Ta=25°C)

Symbol	Unit	Rating				Condition
		GaP/GaAsP	AlGaInP	InGaN	GaN	
I <sub>F</sub>	mA	30				
ΔI <sub>F</sub>	mA/°C	-0.45				Above 25°C
I <sub>FP</sub>	mA	100			70	f=1kHz, tw≤100μs
V <sub>R</sub>	V	3	4	5		
Top	°C	-30 to +85		-25 to +80		
T <sub>stg</sub>	°C	-30 to +100				

### Electrical Optical characteristics (Ta=25°C)

Emitting color	Part Number	Lens color	Forward voltage			Reverse current		Intensity		Peak wavelength		Spectrum half width		Chip material
			V <sub>F</sub> (V)		Condition I <sub>F</sub> (mA)	I <sub>R</sub> (μA)	Condition V <sub>R</sub> (V)	I <sub>v</sub> (mcd)	Condition I <sub>F</sub> (mA)	λ <sub>P</sub> (nm)	Condition I <sub>F</sub> (mA)	Δλ (nm)	Condition I <sub>F</sub> (mA)	
			typ	max		max		typ		typ		typ		
Red	SEL5223S	Transparent red	1.9	2.5	10	50	3	25	20	630	10	35	10	GaAsP
Amber	SEL5823A	Transparent orange	1.9	2.5	10	50	3	35	20	610	10	35	10	
Orange	SEL5923A	Transparent orange	1.9	2.5	10	50	3	35	20	587	10	33	10	
Yellow	SEL5723C	Clear	2.0	2.5	10	50	3	60	20	570	10	30	10	GaP
Green	SEL5423E	Transparent green	2.0	2.5	10	50	3	40	20	560	10	20	10	
Pure green	SEL5523C	Clear	2.0	2.5	10	50	3	13	20	555	10	20	10	
Blue	SEL5E23C	Clear	4.0	4.8	10	10	5	20	20	430	10	65	10	GaN

### ●Ultra-high-intensity series

Emitting color	Part Number	Lens color	Forward voltage			Reverse current		Intensity		Peak wavelength		Spectrum half width		Chip material
			V <sub>F</sub> (V)		Condition I <sub>F</sub> (mA)	I <sub>R</sub> (μA)	Condition V <sub>R</sub> (V)	I <sub>v</sub> (mcd)	Condition I <sub>F</sub> (mA)	λ <sub>P</sub> (nm)	Condition I <sub>F</sub> (mA)	Δλ (nm)	Condition I <sub>F</sub> (mA)	
			typ	max		max		typ		typ		typ		
Red	SELS5223C	Clear	2.0	2.5	10	100	4	100	20	635	10	15	10	AlGaInP
Amber	SELS5823C	Clear	2.0	2.5	10	100	4	130	20	615	10	15	10	
Amber	SELU5823C	Clear	2.0	2.5	10	100	4	185	20	615	10	15	10	
Light amber	SELS5B23C	Clear	2.0	2.5	10	100	4	135	20	600	10	15	10	
Orange	SELS5923C	Clear	2.0	2.5	10	100	4	145	20	590	10	15	10	
Yellow	SELU5723C	Clear	2.0	2.5	10	100	4	155	20	572	10	15	10	
Blue	SELU5E23C	Clear	3.6	4.0	10	10	5	110	10	470	10	35	10	InGaN