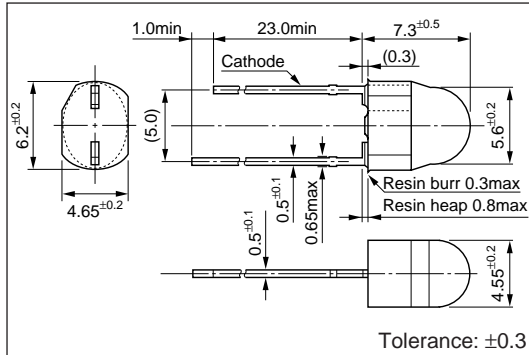


5-mm Pitch Lead Egg-shaped LED (Direct Mount)

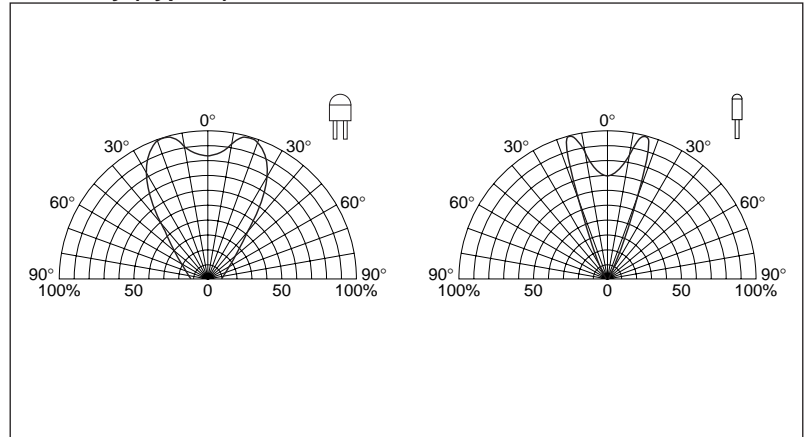
SEL5055 Series

External Dimensions

(Unit: mm)



Directivity (Typical)



Absolute maximum ratings (Ta=25°C)

Symbol	Unit	Rating	Condition
I_F	mA	30	
ΔI_F	mA/°C	-0.45	Above 25°C
I_{FP}	mA	100	f=1kHz, tw≤100μs
V_R	V	3	
Top	°C	-30 to +85	
Tstg	°C	-30 to +100	

Electrical Optical characteristics (Ta=25°C)

Emitting color	Part Number	Lens color	Forward voltage		Reverse current		Intensity		Peak wavelength		Spectrum half width		Chip material	
			V_F (V)	Condition I_F (mA)	I_R (μA) max	Condition V_R (V)	I_v (mcd) typ	Condition I_F (mA)	λ_P (nm) typ	Condition I_F (mA)	$\Delta\lambda$ (nm) typ	Condition I_F (mA)		
														typ
Red	SEL5255S	Transparent red	1.9	2.5	10	50	3	35	20	630	10	35	10	GaAsP
Orange	SEL5955A	Transparent orange	1.9	2.5	10	50	3	25	20	587	10	33	10	
Yellow	SEL5755C	Clear	2.0	2.5	10	50	3	140	20	570	10	30	10	