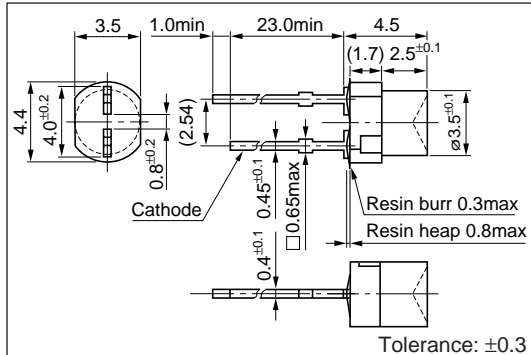


# 3 $\phi$ Inverted-cone LED for surface illumination (Direct Mount)

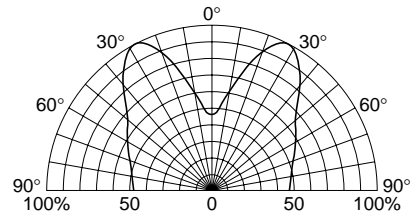
## SEL6013 Series

### External Dimensions

(Unit: mm)



### Directivity (Typical)



### Absolute maximum ratings (Ta=25°C)

Symbol	Unit	Rating	Condition
I <sub>F</sub>	mA	30	
ΔI <sub>F</sub>	mA/°C	-0.45	Above 25°C
I <sub>FP</sub>	mA	100	f=1kHz, tw≤100μs
V <sub>R</sub>	V	3	
Top	°C	-30 to +85	
Tstg	°C	-30 to +100	

### Electrical Optical characteristics (Ta=25°C)

Emitting color	Part Number	Lens color	Forward voltage		Reverse current		Intensity		Peak wavelength		Spectrum half width		Chip material	
			V <sub>F</sub> (V)		I <sub>R</sub> (μA)	V <sub>R</sub> (V)	I <sub>v</sub> (mcd)	I <sub>F</sub> (mA)	λ <sub>P</sub> (nm)	Δλ (nm)	I <sub>F</sub> (mA)			
			typ	max	Condition I <sub>F</sub> (mA)	max	typ	Condition I <sub>F</sub> (mA)	typ	Condition I <sub>F</sub> (mA)				
Green	SEL6413E	Transparent green	2.0	2.5	10	50	3	14	20	560	10	20	10	GaP
Pure green	SEL6513C	Clear	2.0	2.5	10	50	3	5.0	20	555	10	20	10	