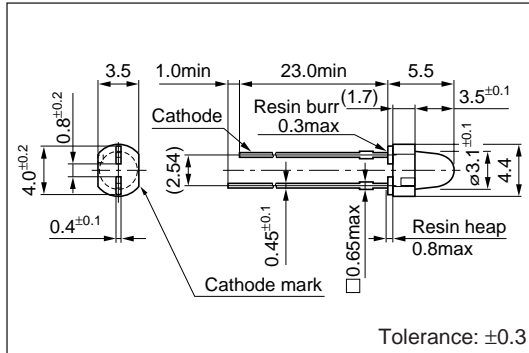


3 ϕ Round Narrow-directivity LED (Direct Mount)

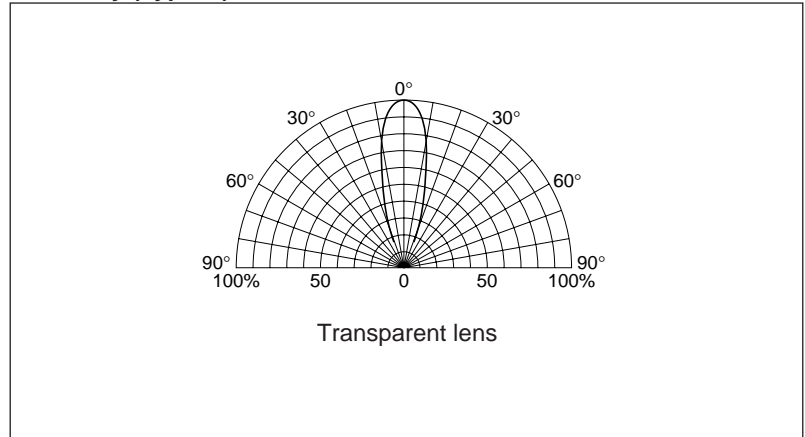
SEL6015 Series

External Dimensions

(Unit: mm)



Directivity (Typical)



Absolute maximum ratings (Ta=25°C)

Symbol	Unit	Rating	Condition
I_F	mA	30	
ΔI_F	mA/°C	-0.45	Above 25°C
I_{FP}	mA	100	f=1kHz, tw \leq 100 μ s
V_R	V	3	
Top	°C	-30 to +85	
Tstg	°C	-30 to +100	

Electrical Optical characteristics (Ta=25°C)

Emitting color	Part Number	Lens color	Forward voltage		Reverse current		Intensity		Peak wavelength		Spectrum half width		Chip material	
			V_F (V)	Condition I_F (mA)	I_R (μ A) max	Condition V_R (V)	I_v (mcd) typ	Condition I_F (mA)	λ_P (nm) typ	Condition I_F (mA)	$\Delta\lambda$ (nm) typ	Condition I_F (mA)		
														typ
Red	SEL6215S	Transparent red	1.9	2.5	10	50	3	45	20	630	10	35	10	GaAsP
Orange	SEL6915A	Transparent orange	1.9	2.5	10	50	3	60	20	587	10	33	10	
Yellow	SEL6715C	Clear	2.0	2.5	10	50	3	90	20	570	10	30	10	
Green	SEL6415E	Transparent green	2.0	2.5	10	50	3	81	20	560	10	20	10	GaP
Pure green	SEL6515C	Clear	2.0	2.5	10	50	3	44	20	555	10	20	10	