



## SEP8736-002

### SEP Series AlGaAs Infrared Emitting Diode, Side-looking Plastic Package

*Representative photograph, actual product appearance may vary.*

*Due to regional agency approval requirements, some products may not be available in your area. Please contact your regional Honeywell office regarding your product of choice.*

#### Features

- Side-looking plastic package
- 10 ° (nominal) beam angle
- 880 nm wavelength
- Enhanced coupling distance
- Mechanically and spectrally matched to SDP8436 phototransistor

#### Description

The SEP8736 is an aluminum gallium arsenide infrared emitting diode molded in a side-emitting smoke gray plastic package. The body and integral lens design combines the mounting advantage of a side-emitting package with the narrow emission pattern of a T-1 style device. The SEP8736 IRED is designed for those applications which require longer coupling distances than standard side-emitting devices can provide, such as touch screens. The IRED is also especially well suited to applications in which adjacent channel crosstalk could be a problem.



## SEP8736-002

### SEP Series AlGaAs Infrared Emitting Diode, Side-looking Plastic Package

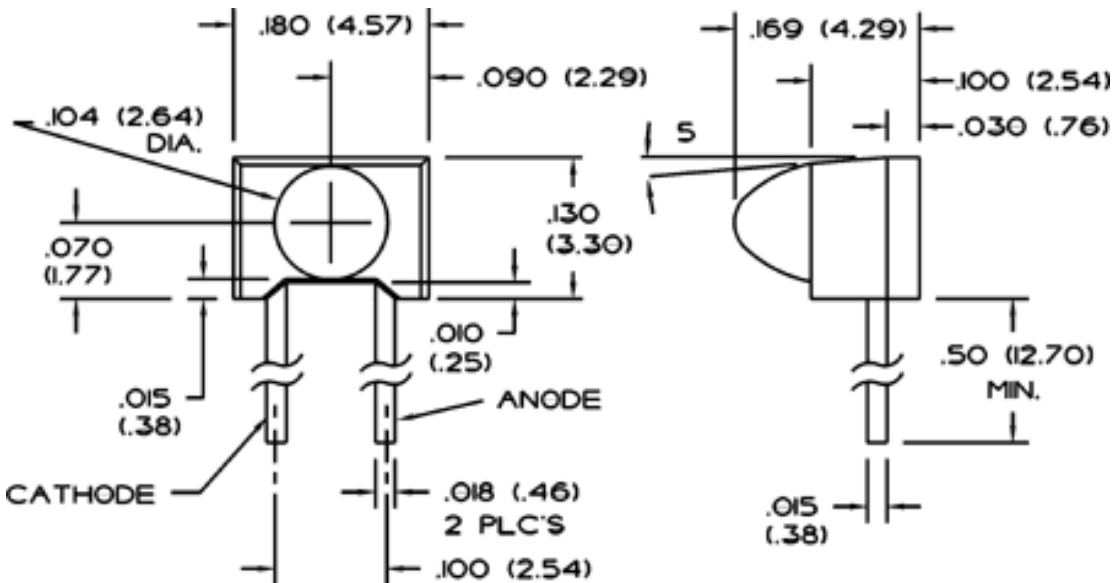
Product Specifications	
Product Type	IR Component
Power Output	1.2 - 3.0 mW/cm <sup>2</sup>
Beam Angle (Degree)	10
Package Style	Side-Emitting
Package Components	Plastic
Forward Current	20 mA
Continuous Forward Current	50 mA
Forward Voltage	1.7 V
Reverse Breakdown Voltage	3 V

<b>Output Wavelength</b>	880 nm
<b>Spectral Bandwidth</b>	80 nm
<b>Spectral Shift With Temperature</b>	0.2 nm/°C
<b>Rise and Fall Time</b>	0.7 μs
<b>Power Dissipation</b>	100 mW
<b>Operating Temperature Range</b>	-40 °C to 85 °C [-40 °F to 185 °F]
<b>Availability</b>	Global
<b>Product Name</b>	Infrared Emitting Diode

# Honeywell

## SEP8736-002

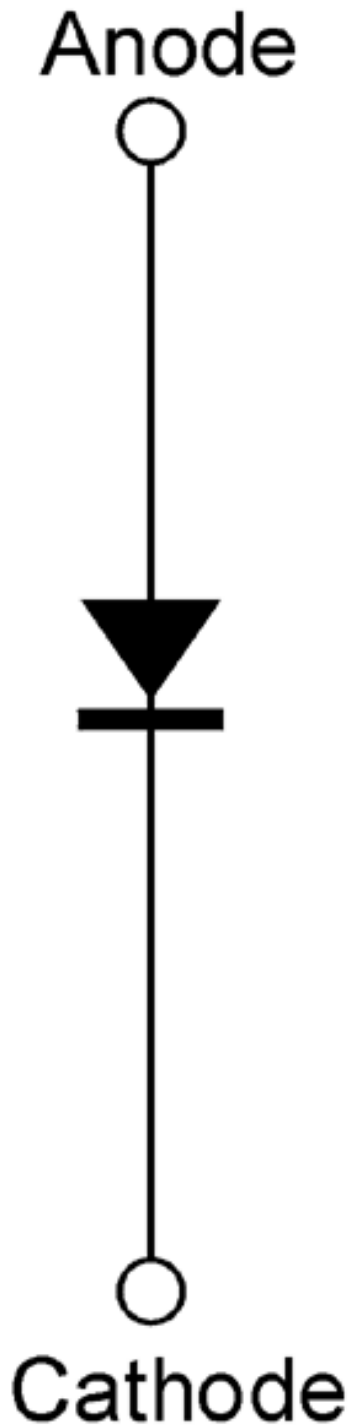
SEP Series AlGaAs Infrared Emitting Diode, Side-looking Plastic Package



# Honeywell

## SEP8736-002

SEP Series AlGaAs Infrared Emitting Diode, Side-looking Plastic Package



**Honeywell**

---

**SEP8736-002**

**SEP Series AlGaAs Infrared Emitting Diode, Side-looking Plastic Package**

** WARNING**

**PERSONAL INJURY**

DO NOT USE these products as safety or emergency stop devices, or in any other application where failure of the product could result in personal injury.

**Failure to comply with these instructions could result in death or serious injury.**

** WARNING**

**MISUSE OF DOCUMENTATION**

- The information presented in this product sheet (or catalog) is for reference only. DO NOT USE this document as product installation information.
- Complete installation, operation and maintenance information is provided in the instructions supplied with each product.

**Failure to comply with these instructions could result in death or serious injury.**

© Copyright Honeywell Inc.1998-2004 All rights reserved.