

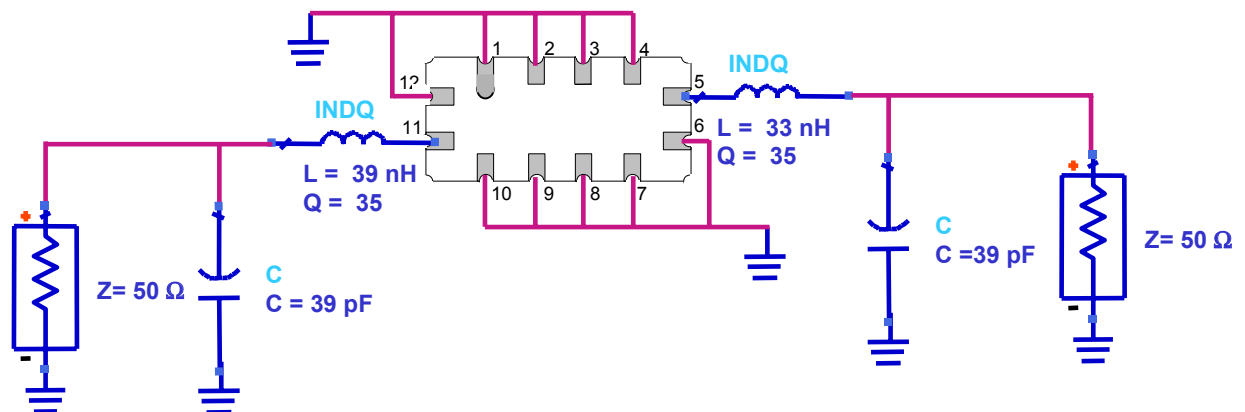
Model SF1003

• Specifications



	Unit	Min.	Typical	Max
Center Frequency, F_c	MHz		140	
Insertion Loss	dB		21.4	23.0
3 dB Bandwidth	MHz	9.5	9.8	
40 dB Bandwidth	MHz		12.0	15.0
Group Delay Ripple	P-P nsec		66	150
Passband Ripple	P-P dB		0.8	1.5
Phase Linearity	Degree		7.0	10.0
Package	mm ³	13.3 x 6.5 x 2.0		

• Matching Circuit



MtronPTI reserves the right to make changes to the product(s) and service(s) described herein without notice. No liability is assumed as a result of their use or application.

Please see www.mtronpti.com for our complete offering and detailed datasheets. Contact us for your application specific requirements: MtronPTI 1-800-762-8800.