

15A Ultra Fast Recovery Rectifier-600V

PRIMARY CHARACTERISTICS	
V_{RRM}	600V
I_F	15A
$V_F@I_F=15A(TYP)$	1.4V
$T_{J,Max}$	150°C

ITO-220A PACKAGE

Marking : SF1560


FEATURES

- Low power loss, high efficiency
- Low forward voltage, high current capability
- High surge capability
- Ultra fast recovery time, high voltage
- Moisture Sensitivity Level 1

MECHANICAL DATA

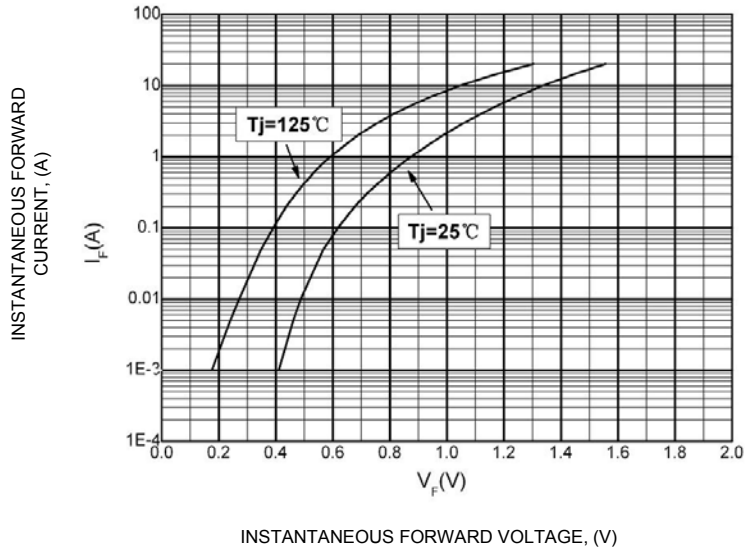
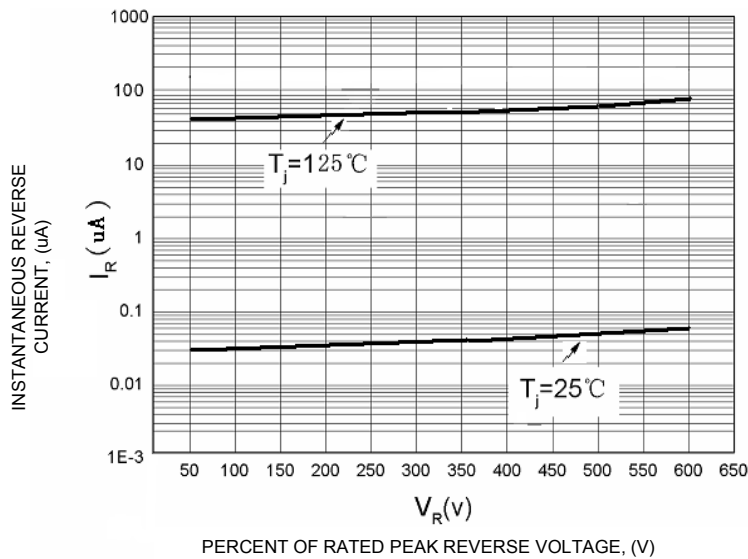
- Case : Molded plastic, ITO-220A
- Polarity : Shown above
- Terminals : Plated terminals, solderable per MIL-STD-750, Method 2026
- Epoxy : UL94-V0 rated flame retardant

MAXIMUM RATINGS AND ELECTRICAL CHARACTERISTICS

Ratings at 25°C ambient temperature unless otherwise specified.

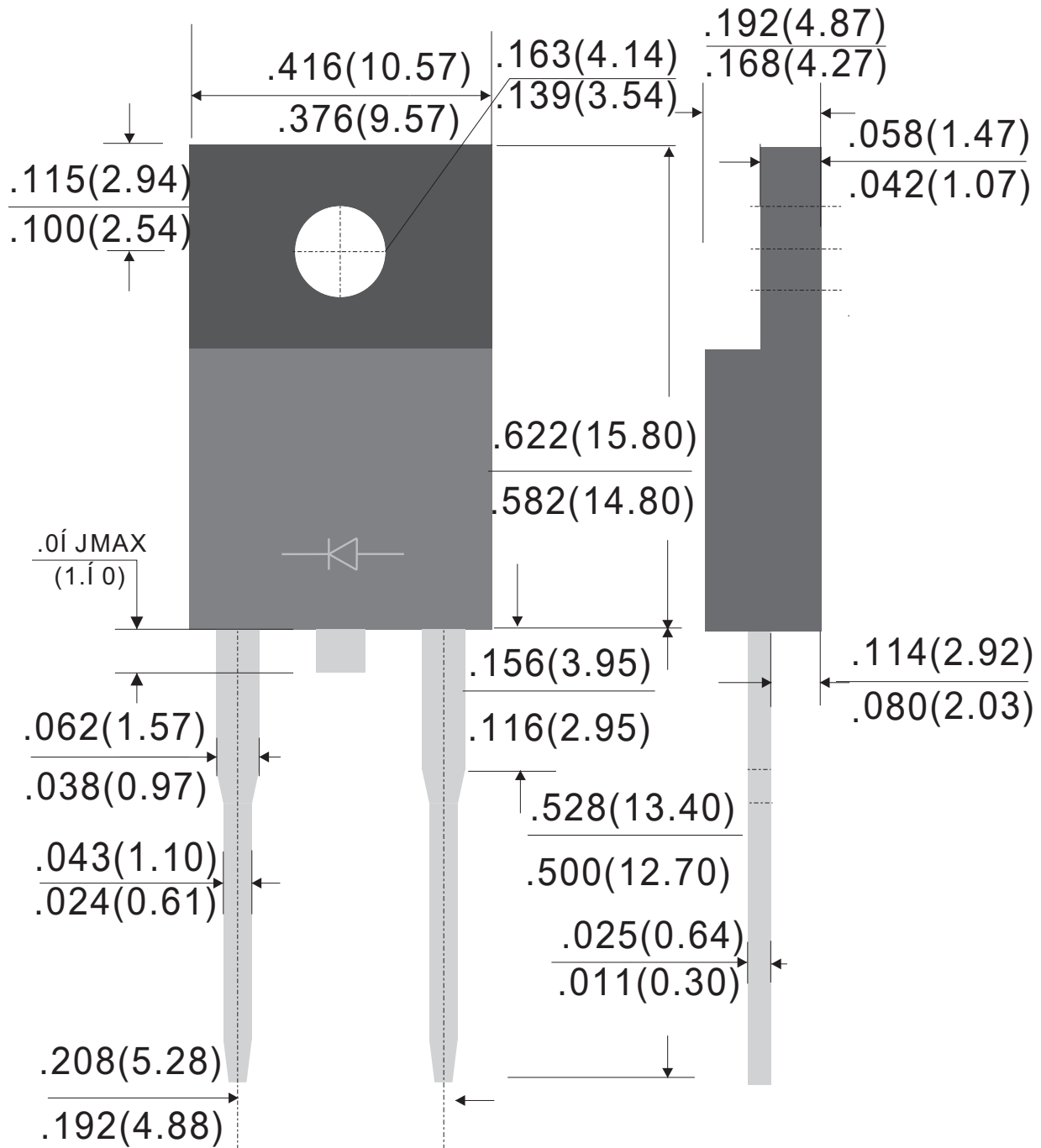
PARAMETER		SYMBOL	SF1560			UNIT	
Device marking code		Note	SF1560			---	
Maximum Repetitive Peak Reverse Voltage		V_{RRM}	600			V	
Average Rectified Output Current See Fig.1		I_F	15			A	
Peak Forward Surge Current 8.3ms single half sine-wave		I_{FSM}	150			A	
Storage temperature range		T_{STG}	-55 to +150			°C	
Operating junction temperature range		T_J	-55 to +150			°C	
PARAMETER	TEST CONDITIONS		SYMBOL	Min.	Typ.	Max.	UNIT
Breakdown voltage	$I_R=50\mu A$	$T_J=25^\circ C$	V_B	600	---	---	V
Forward Voltage	$I_F=15A$	$T_J=25^\circ C$ $T_J=125^\circ C$	V_F	---	1.40 1.20	1.80 1.60	V
Leakage Current	$V_R=600V$	$T_J=25^\circ C$ $T_J=125^\circ C$	I_R	---	---	50 500	μA
Reverse recovery time	$I_F=0.5A$ $I_{rr}=0.25A$ $I_R=1.0A$	$T_J=25^\circ C$	t_{rr}	---	27	35	ns
THERMAL CHARACTERISTIC			SYMBOL	Typical			UNIT
Typical thermal resistance_Junction to Case			$R_{\theta JC}$	4.5			°C/W
Typical thermal resistance_Junction to Lead			$R_{\theta JL}$	5.5			°C/W

RATING AND CHARACTERISTIC CURVES

TYPICAL FORWARD CHARACTERISTICS

TYPICAL REVERSE CHARACTERISTICS


Outline Drawing

ITO-220A



Dimensions in inches and (millimeters)

Rev.E-2

Ordering Information:

Device PN	Packing
SF1560 - ⁽¹⁾ G ⁽²⁾ -WS	Tube Packing:50pcs/Tube

Note: 1. Packing code: Empty is Tube Packing

2. RoHS product for packing code suffix "G", Halogen free product for packing code suffix "H" .

*****Disclaimer*****

WILLAS reserves the right to make changes without notice to any product specification herein, to make corrections, modifications, enhancements or other changes. WILLAS or anyone on its behalf assumes no responsibility or liability for any errors or inaccuracies. Data sheet specifications and its information contained are intended to provide a product description only. "Typical" parameters which may be included on WILLAS data sheets and/ or specifications can and do vary in different applications and actual performance may vary over time. WILLAS does not assume any liability arising out of the application or use of any product or circuit.

This is the preliminary specification. WILLAS products are not designed, intended or authorized for use in medical, life-saving implant or other applications intended for life-sustaining or other related applications where a failure or malfunction of component or circuitry may directly or indirectly cause injury or threaten a life without expressed written approval of WILLAS. Customers using or selling WILLAS components for use in such applications do so at their own risk and shall agree to fully indemnify WILLAS Inc and its subsidiaries harmless against all claims, damages and expenditures.