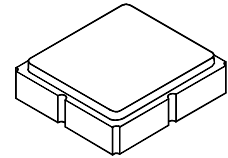


Preliminary



SF2036E

**1880 MHz
SAW Filter**



SM3030-6

- **Low Insertion Loss**
- **3.0 X 3.0 mm Surface-Mount Case**


Absolute Maximum Ratings

Rating	Value	Units
Maximum Incident Power in Passband	+10	dBm
Max. DC voltage between any 2 terminals	5	V
Operating Temperature	-30 to +85	°C
Storage Temperature	-40 to +85	°C
Max Soldering Profile	265°C for 10 s	

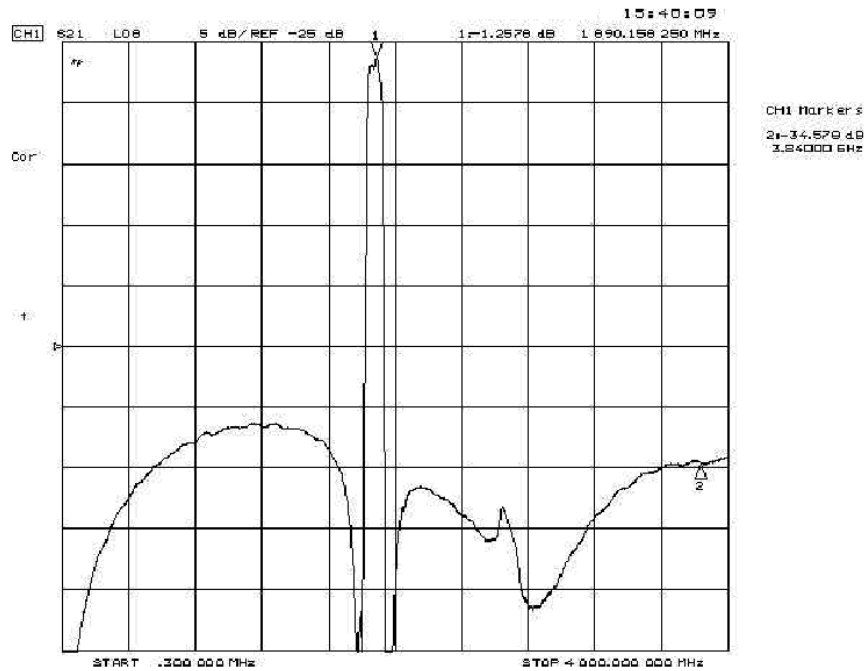
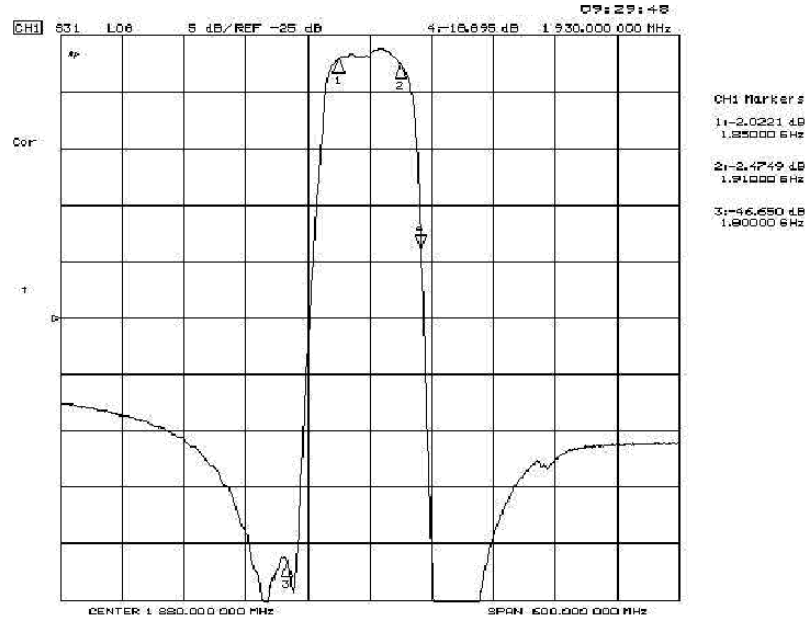
Electrical Characteristics

Characteristic	Sym	Notes	Min	Typ	Max	Units
Center Frequency	f_c			1880		MHz
Insertion Loss	IL	1850~1910 MHz		2.45	4.0	dB
Amplitude Ripple (p-p)		1850~1910 MHz		1.2	2.5	
Attenuation (Reference level from 0 dB)		D.C.~1660 MHz	20	32		dB
		1660~1721 MHz	30	35		dB
		1721~1800 MHz	20	37		dB
		1930~1990 MHz	7	19		dB
		2000~2040 MHz	25	37		dB
		2040~2480 MHz	31	38		dB
		3700~3820 MHz	25	35		dB
Input/Output Return Loss (1850~1910 MHz)			7.4	13		dB
Source Impedance	Z_S			50		Ω
Load Impedance	Z_L			50		Ω
Case Style	SM3030-6 3 x 3 mm Nominal Footprint					
Lid Symbolization (Y=year, WW=week, S=shift) See note 4	510 YWWS					

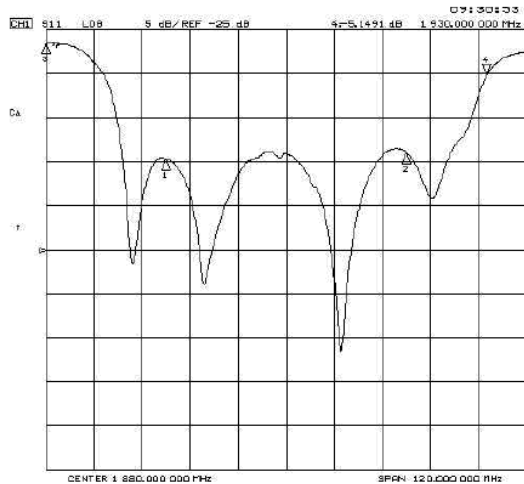
Notes:

1. US and international patents may apply.
2. RFM, stylized RFM logo, and RF Monolithics, Inc. are registered trademarks of RF Monolithics, Inc.
3. ©Copyright 1999, RF Monolithics Inc.
4. Electrostatic Sensitive Device. Observe precautions for handling. 

Frequency Characteristics :
Transfer function



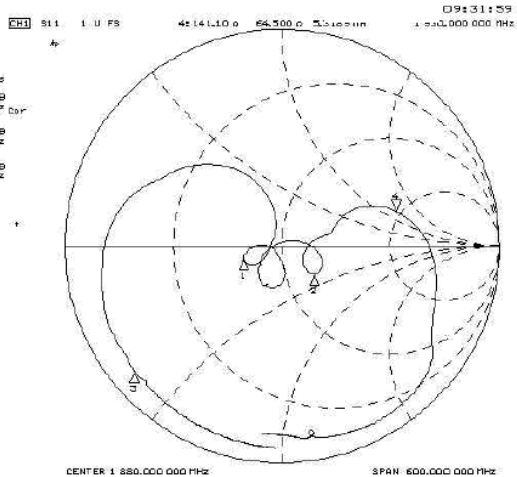
S11



CH1 Markers
 1=-1.4639 dB
 1.89000 GHz

2=-1.3870 dB
 1.91000 GHz

3=-1.3689 dB
 1.93000 GHz

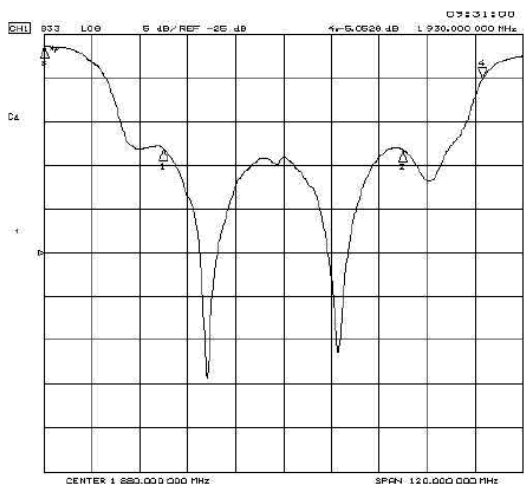


CH1 Markers
 1=134.939 a
 -4.3281 a
 1.89000 GHz

2=65.307 a
 -17.477 a
 1.91000 GHz

3=13.2109 a
 -18.410 a
 1.93000 GHz

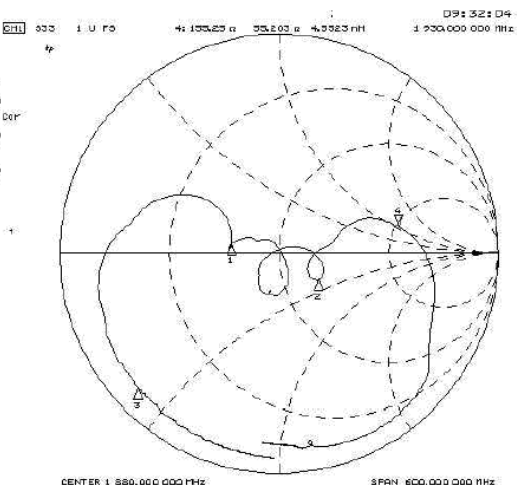
S22



CH1 Markers
 1=-13.186 dB
 1.89000 GHz

2=-17.236 dB
 1.91000 GHz

3=-13.764 dB
 1.93000 GHz

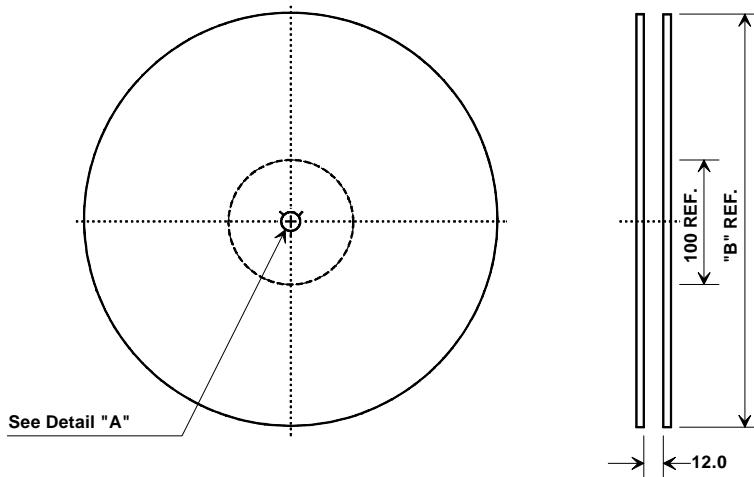


CH1 Markers
 1=132.140 a
 -5.9961 a
 1.89000 GHz

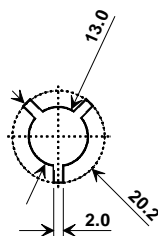
2=65.670 a
 -17.236 a
 1.91000 GHz

3=13.3535 a
 -23.100 a
 1.93000 GHz

Tape and Reel Specifications

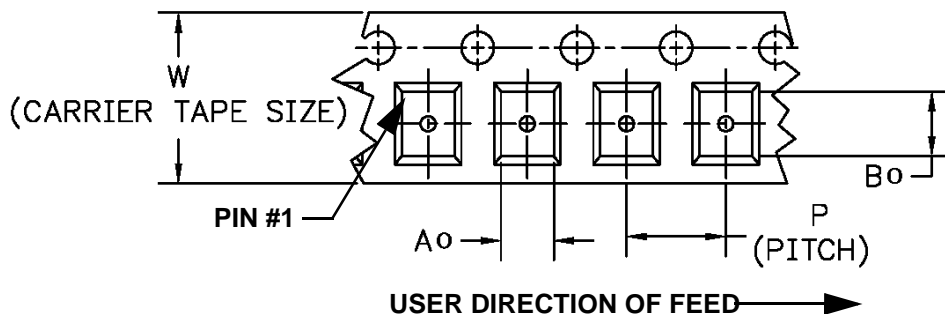
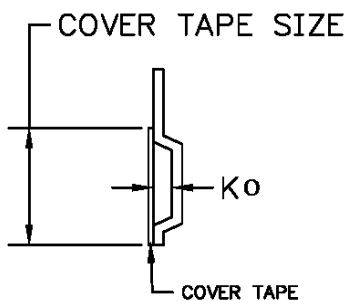


"B "		Quantity Per Reel
Inches	millimeters	
7	178	500
13	330	2000



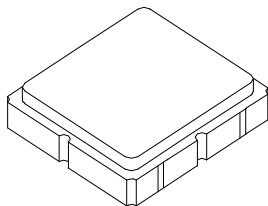
COMPONENT ORIENTATION and DIMENSIONS

Carrier Tape Dimensions	
Ao	3.35 mm
Bo	3.35 mm
Ko	1.4 mm
Pitch	8.0 mm
W	12.0 mm



SM3030-6 Case

6-Terminal Ceramic Surface-Mount Case 3.0 X 3.0 mm Nominal Footprint



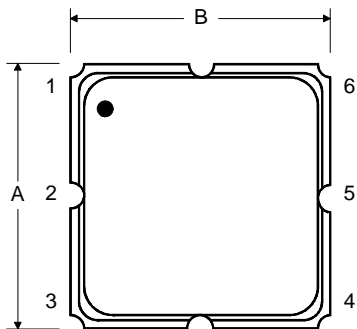
Case Dimensions

Dimension	mm			Inches		
	Min	Nom	Max	Min	Nom	Max
A		3.0			0.118	
B		3.0			0.118	
C		1.1			0.051	
D		0.9			0.035	
E		2.8			0.100	
F		1.6			0.063	
G		0.85			0.033	
H		1.5			0.059	
I		0.6			0.024	
J		1.3			0.051	

Electrical Connections

Connection		Terminals
Port 1	Single Ended Input	2
Port 2	Single Ended Output	5
	Ground	All others
Single Ended Operation Only		
Dot indicates Pin 1		

TOP VIEW



BOTTOM VIEW

