

Preliminary



SF2142G

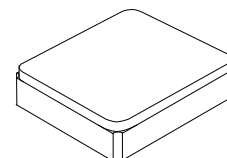
867.5 MHz SAW Filter

- 2.5 x 2.0 x 1.05 mm Surface-Mount Case
- No Matching Circuit Required
- Complies with Directive 2002/95/EC (RoHS)



Absolute Maximum Ratings

Rating	Value	Units
Input Power Level	13	dB
DC voltage	3	V
Storage Temperature	-40 to +95	°C
Max Soldering Profile	265°C for 10 s	



SM2520-4

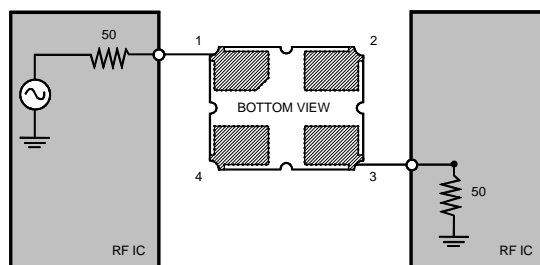
Electrical Characteristics

Characteristic	Sym	Notes	Min	Typ	Max	Units
Center Frequency	f_C		867.5			MHz
Insertion Loss	855 ~ 880 MHz	IL		2.6	3.5	dB
Amplitude Ripple (p-p)	855 ~ 880 MHz			0.9	1.7	
VSWR	855 ~ 880 MHz			1.5	2	
Attenuation (Reference level from 0 dB)	100 ~ 815 MHz		40	48		dB
	815 ~ 830 MHz		38	45		
	898 ~ 901 MHz		15	24		
	915 ~ 925 MHz		30	42		
	925 ~ 2330 MHz		28	38		
	2330 ~ 3000 MHz		20	31		
Source impedance	Z_S			50		Ω
Load impedance	Z_L			50		Ω
Operating Temperature	T_A		-30		+85	°C

Single Ended Input / Output, Impedance match	No matching network required for operation at 50 ohms
Lid Symbolization (2J=SF2142G Y=year, W=week)	2J, YW

Electrical Connections

Connection	Terminals
Input	1
Output	3
Ground	All others



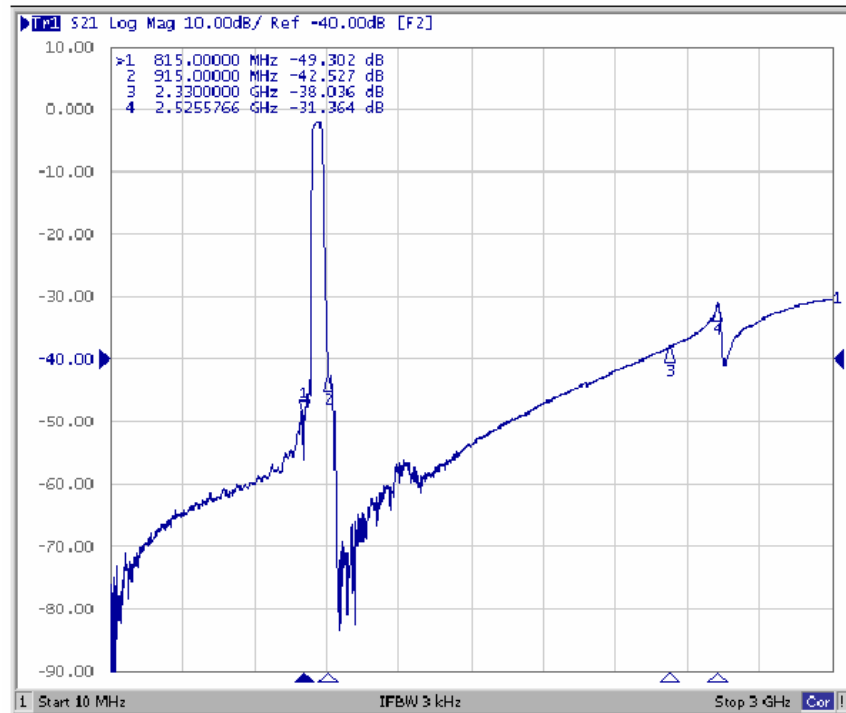
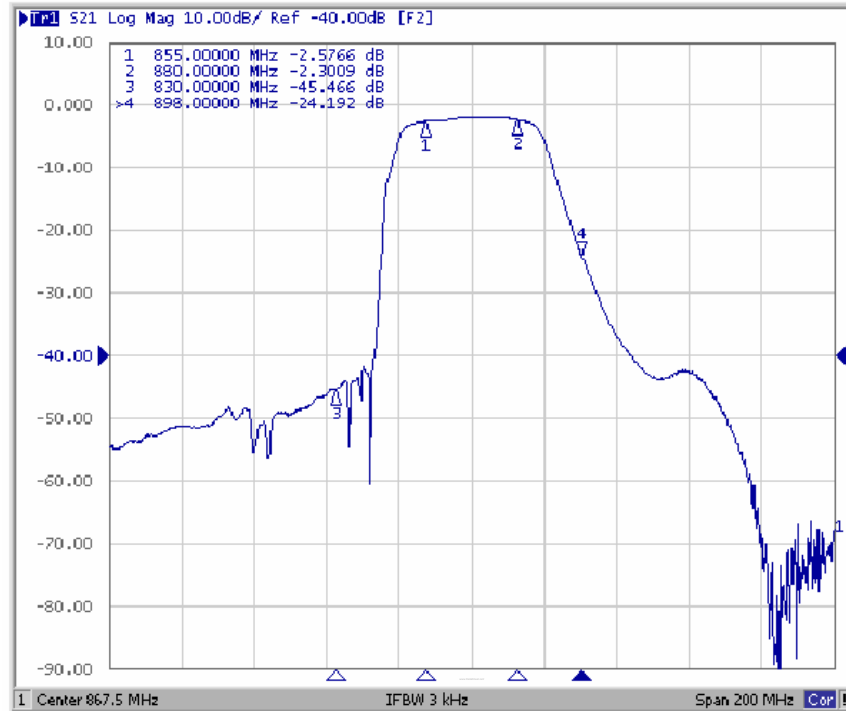
Notes:

1. US and international patents may apply.
2. RFM, stylized RFM logo, and RF Monolithics, Inc. are registered trademarks of RF Monolithics, Inc.
3. ©Copyright 1999, RF Monolithics Inc.
4. Electrostatic Sensitive Device. Observe precautions for handling.

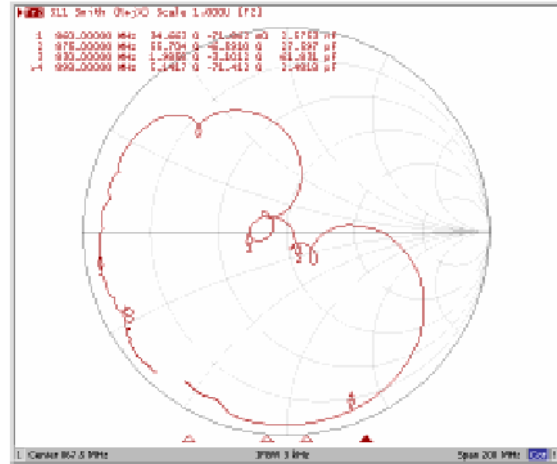
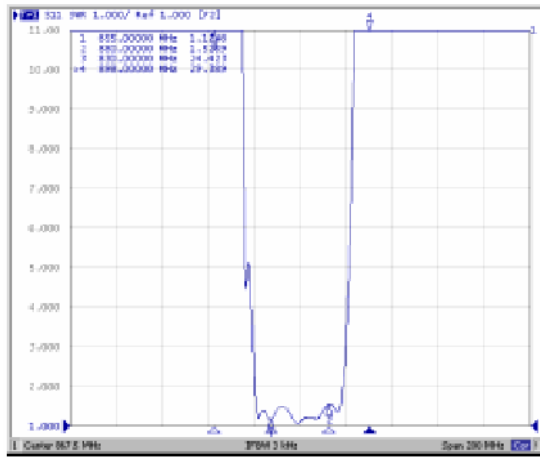


F. Frequency Characteristics :

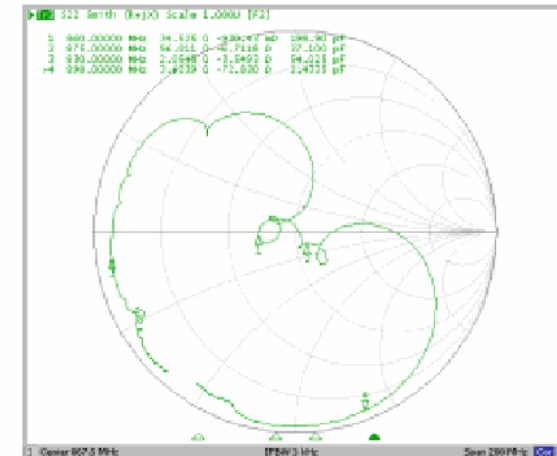
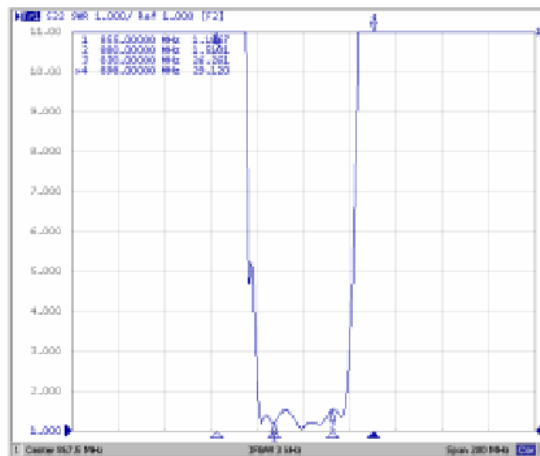
Transfer function



S11 VSWR

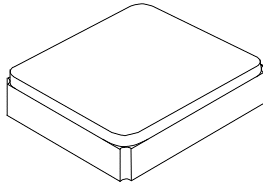


S22 VSWR



SM2520-4 Case

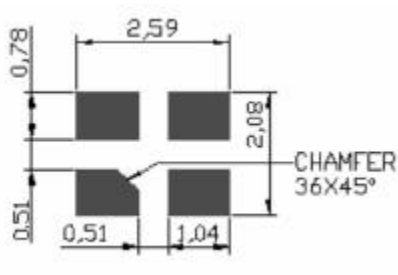
4-Terminal Ceramic Surface-Mount Case 2.5 X 2.0 mm Nominal Footprint



Case Dimensions

Dimension	mm		
	Nom		
A		2.0	
B		2.5	
C		1.0	
E		0.95	
F		0.70	
G		0.60	

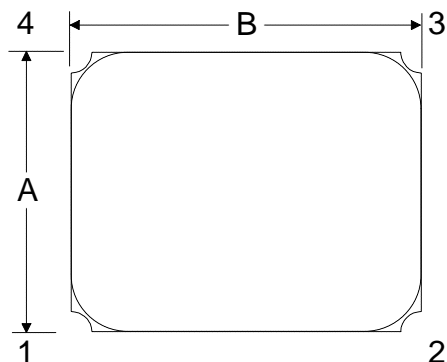
PCB Foot Print



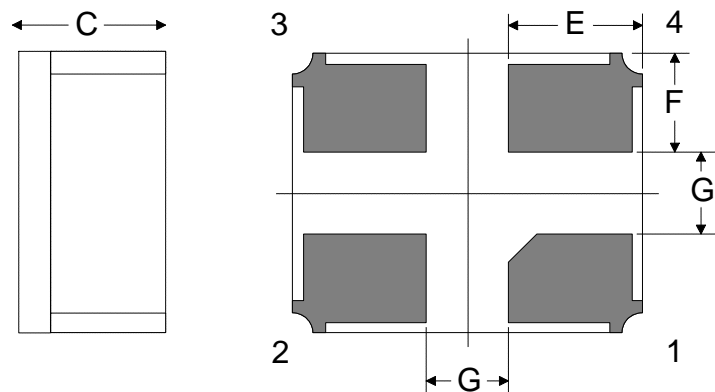
Electrical Connections

Connection		Terminals
Port 1	Single Ended Input	1
Port 2	Single Ended Output	3
	Ground	All others
Single Ended Operation Only		

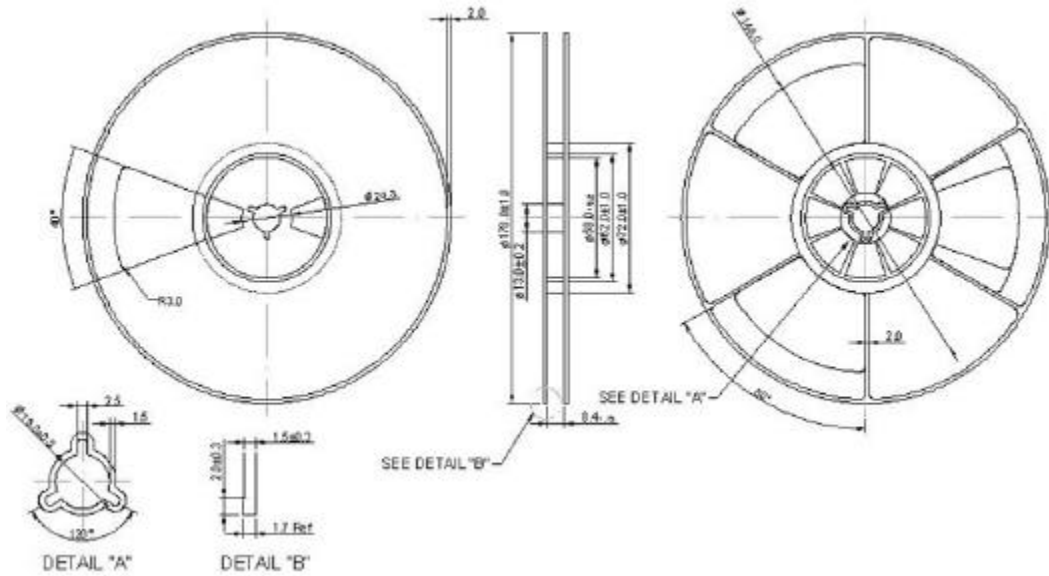
TOP VIEW



BOTTOM VIEW



Reel Dimension



Tape Dimension

