

GLASS PASSIVATED RECTIFIERS

VOLTAGE RANGE: 50 --- 600 V

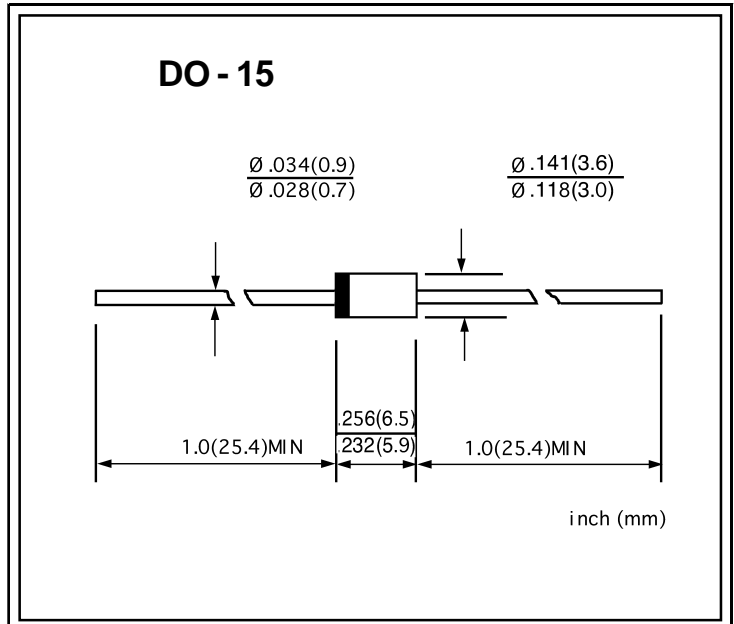
CURRENT: 2.0 A

FEATURES

- ◇ Low cost
- ◇ Glass passivated junction
- ◇ Low forward voltage drop
- ◇ High current capability
- ◇ Easily cleaned with alcohol, Isopropanol and similar solvents
- ◇ The plastic material carries U/L recognition 94V-0

MECHANICAL DATA

- ◇ Case: JEDEC DO--15, molded plastic
- ◇ Terminals: Axial lead, solderable per MIL-STD-202, Method 208
- ◇ Polarity: Color band denotes cathode
- ◇ Weight: 0.014 ounces, 0.39 grams
- ◇ Mounting position: Any



MAXIMUM RATINGS AND ELECTRICAL CHARACTERISTICS

Ratings at 25°C ambient temperature unless otherwise specified.

Single phase, half wave, 60 Hz, resistive or inductive load. For capacitive load, derate by 20%.

		SF21 G	SF22 G	SF23 G	SF24 G	SF25 G	SF26 G	SF27 G	SF28 G	UNITS
Maximum recurrent peak reverse voltage	V_{RRM}	50	100	150	200	300	400	500	600	V
Maximum RMS voltage	V_{RMS}	35	70	105	140	210	280	350	420	V
Maximum DC blocking voltage	V_{DC}	50	100	150	200	300	400	500	600	V
Maximum average forward rectified current 9.5mm lead length, @ $T_A=75^\circ C$	$I_{F(AV)}$	2.0								A
Peak forward surge current 8.3ms single half-sine-wave superimposed on rated load @ $T_J=125^\circ C$	I_{FSM}	50								A
Maximum instantaneous forward voltage @ 2.0A	V_F	0.95			1.3		1.7			V
Maximum reverse current @ $T_A=25^\circ C$ at rated DC blocking voltage @ $T_A=125^\circ C$	I_R	5.0 50.0								μA
Maximum reverse recovery time (Note1)	t_{rr}	35								ns
Typical junction capacitance (Note2)	C_J	60				30				pF
Typical thermal resistance (Note3)	$R_{\theta JA}$	20								$^\circ C/W$
Operating junction temperature range	T_J	- 55 ----- + 175								$^\circ C$
Storage temperature range	T_{STG}	- 55 ----- + 175								$^\circ C$

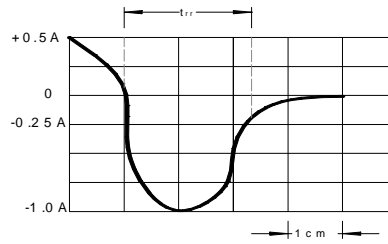
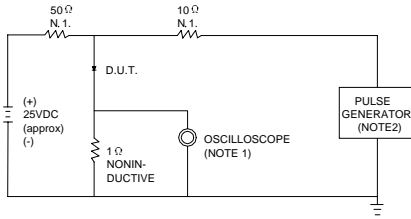
NOTE: 1. Measured with $I_F=0.5A$, $I_R=1A$, $I_{rr}=0.25A$.

2. Measured at 1.0MHz and applied reverse voltage of 4.0V DC.

3. Thermal resistance from junction to ambient.

www.galaxycn.com

FIG.1 -- TEST CIRCUIT DIAGRAM AND REVERSE RECOVERY TIME CHARACTERISTIC



NOTES:1.RISE TIME = 7ns MAX.INPUT IMPEDANCE = 1MΩ .22pF.
2.RISE TIME =10ns MAX.SOURCE IMPEDANCE=50 Ω .

SET TIME BASE FOR 10 ns/cm

FIG.2 -- TYPICAL FORWARD CHARACTERISTIC

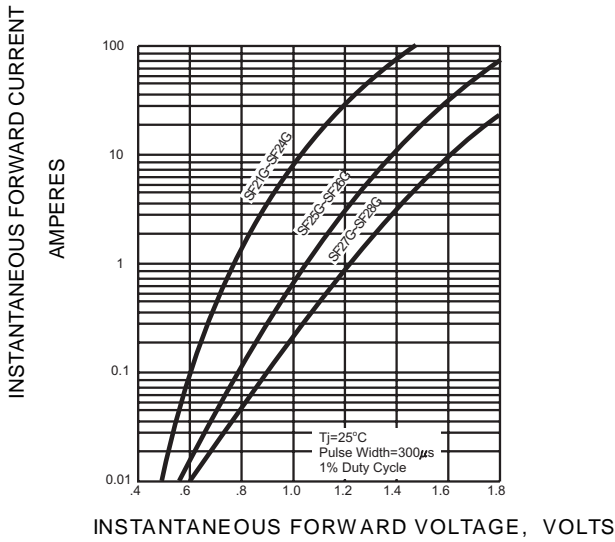


FIG.3 -- FORWARD DERATING CURVE

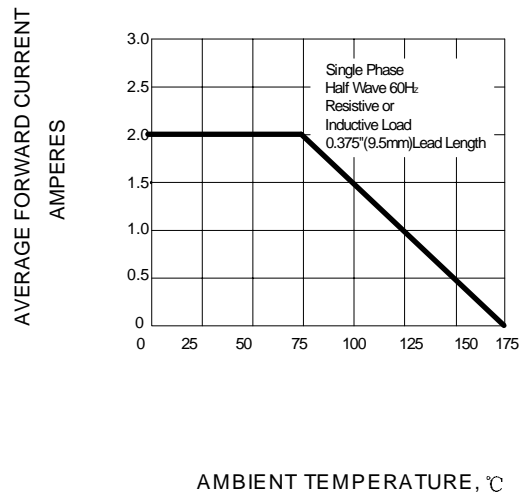


FIG.4 -- TYPICAL JUNCTION CAPACITANCE

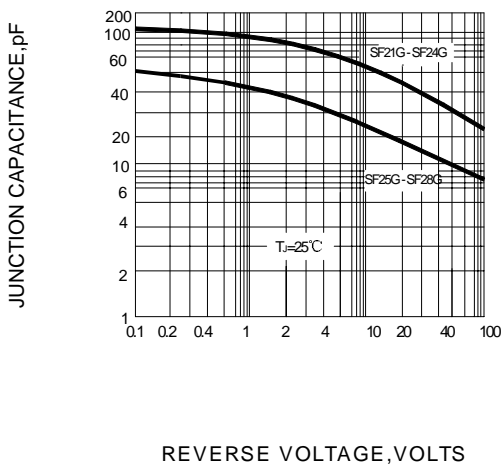


FIG.5 -- PEAK FORWARD SURGE CURRENT

