

# SHINDENGEN

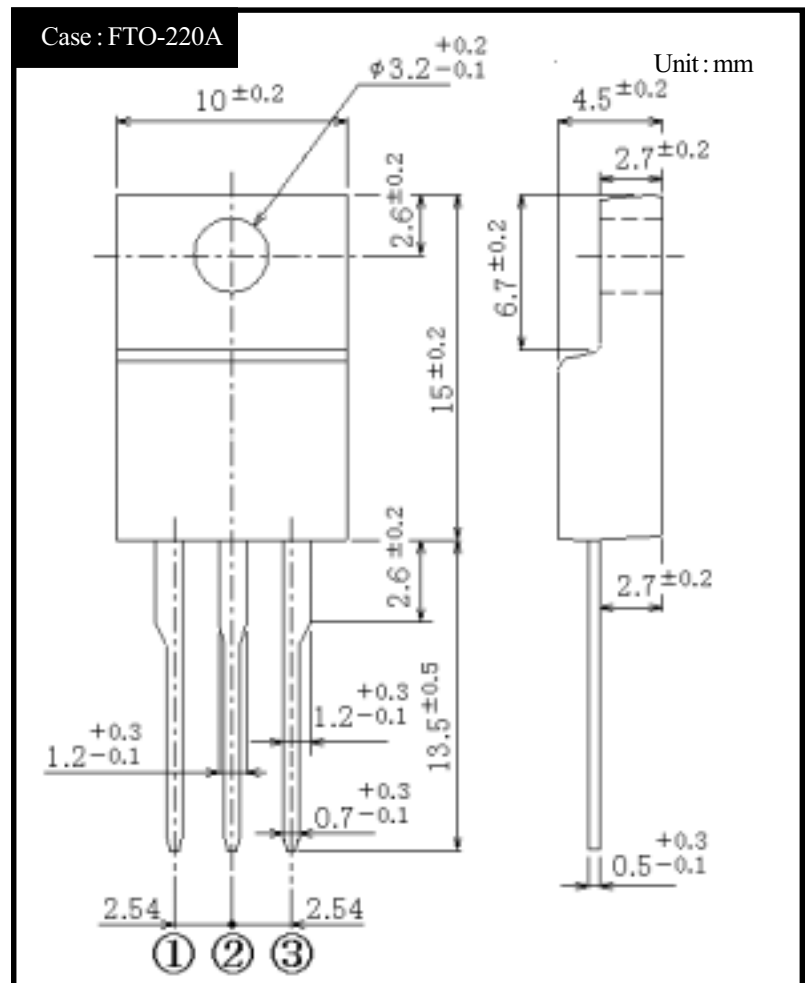
## Schottky Rectifiers (SBD)

Dual

# SF30NC15M

## 150V 30A

### OUTLINE DIMENSIONS



www.DataSheet4U.com

### RATINGS

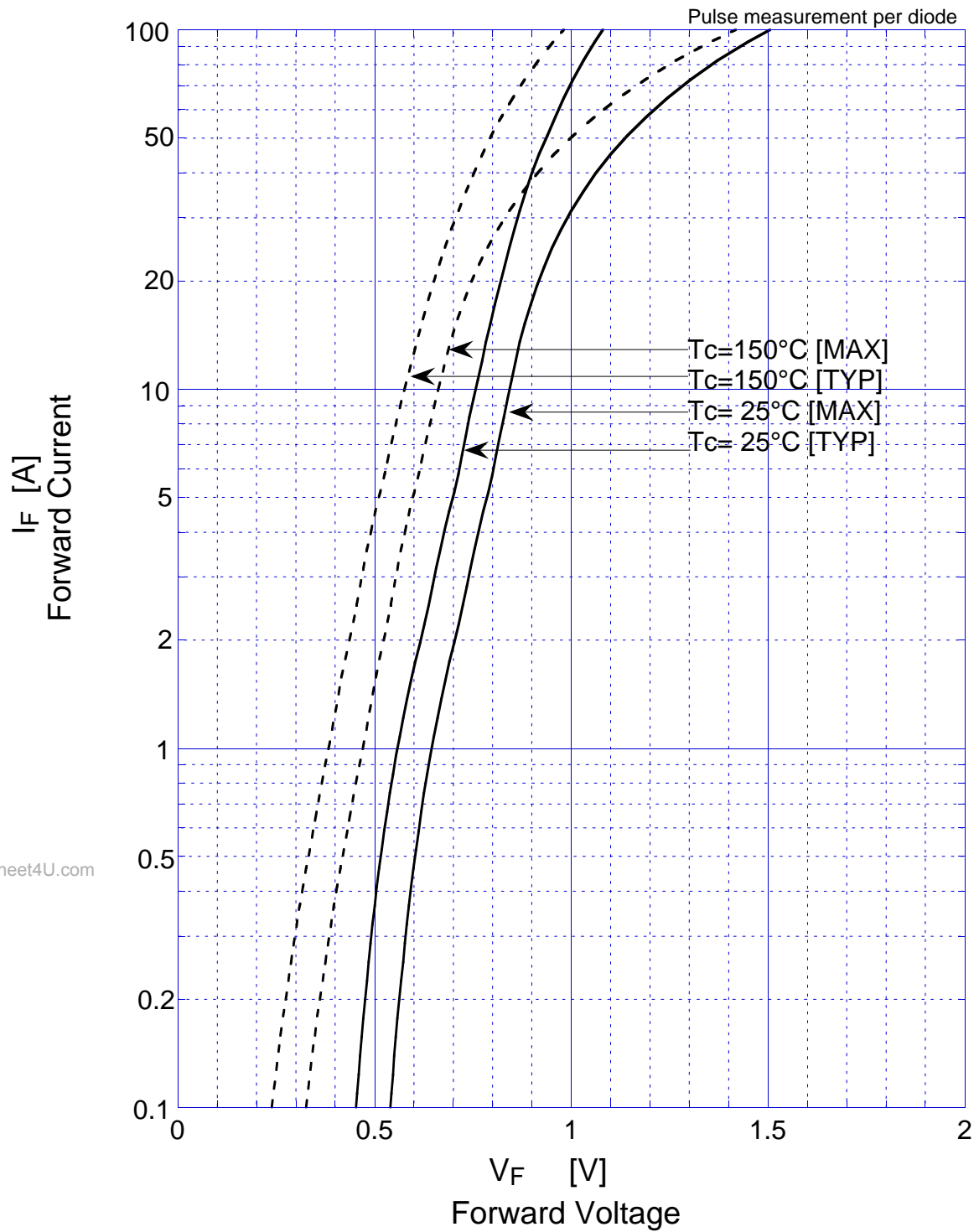
Absolute Maximum Ratings ( $T_c=25^\circ\text{C}$  unless otherwise specified)

Item	Symbol	Conditions	Ratings	Units
Storage Temperature	$T_{stg}$		-55 to 150	$^\circ\text{C}$
Operating Junction Temperature	$T_j$		150	$^\circ\text{C}$
Maximum Reverse Voltage	$V_{RM}$		150	V
Average Rectified Forward Current	$I_o$	50Hz sine wave, Resistance load, Rating for each diode $I_o/2$ , $T_c=107^\circ\text{C}$	30	A
Peak Surge Forward Current	$I_{FSM}$	50Hz sine wave, Non-repetitive 1 cycle peak value, $T_j=25^\circ\text{C}$	300	A
Dielectric Strength	$V_{dis}$	Terminals to case, AC 1 minute	2	kV
Mounting Torque	TOR	(Recommended torque : $0.3\text{N}\cdot\text{m}$ )	0.5	$\text{N}\cdot\text{m}$

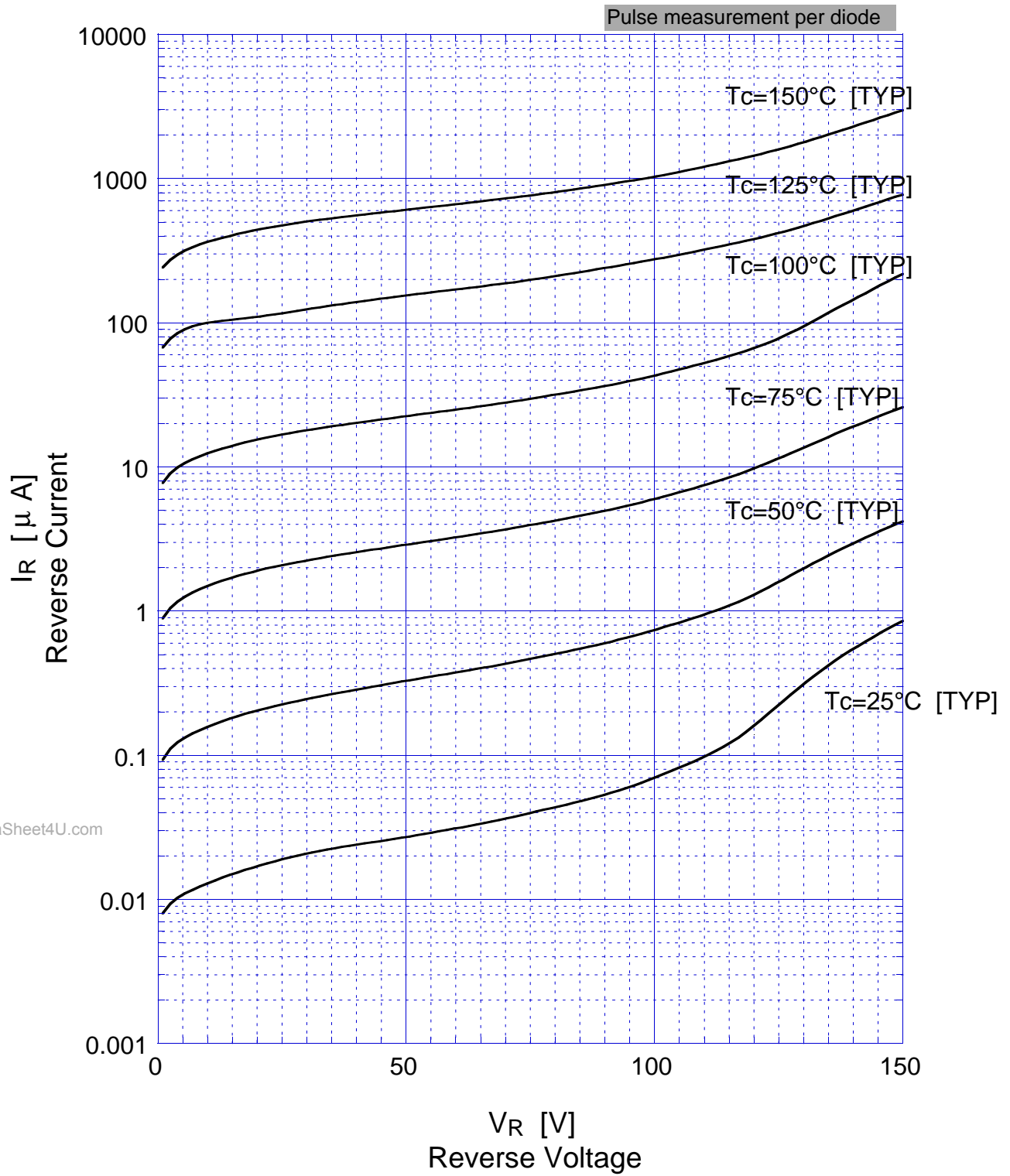
Electrical Characteristics ( $T_c=25^\circ\text{C}$  unless otherwise specified)

Item	Symbol	Conditions	Ratings	Unit
Forward Voltage	$V_F$	$I_F=15\text{A}$ , Pulse measurement, Rating of per diode	Max. 0.88	V
Reverse Current	$I_R$	$V_R=150\text{V}$ , Pulse measurement, Rating of per diode	Max. 0.5	mA
Junction Capacitance	$C_j$	$f=1\text{MHz}$ , $V_R=10\text{V}$ , Rating of per diode	Typ. 300	pF
Thermal Resistance	$\theta_{jc}$	junction to case	Max. 1.6	$^\circ\text{C}/\text{W}$

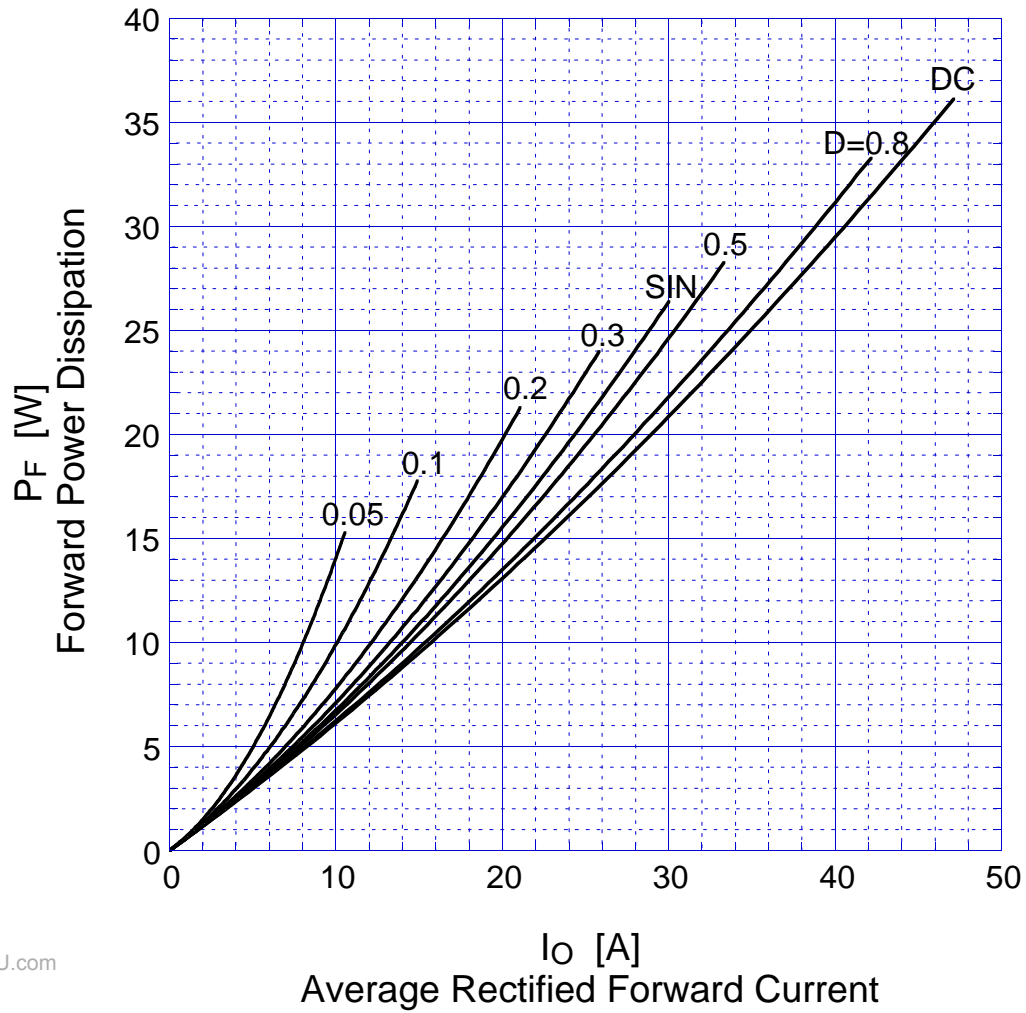
# SF30NC15M Forward Voltage



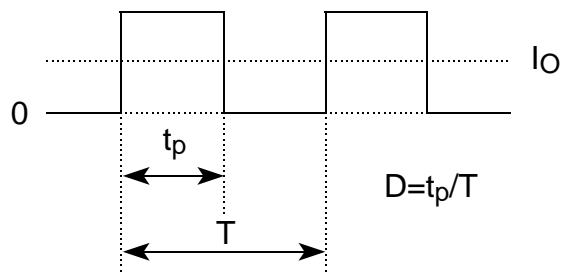
# SF30NC15M Reverse Current



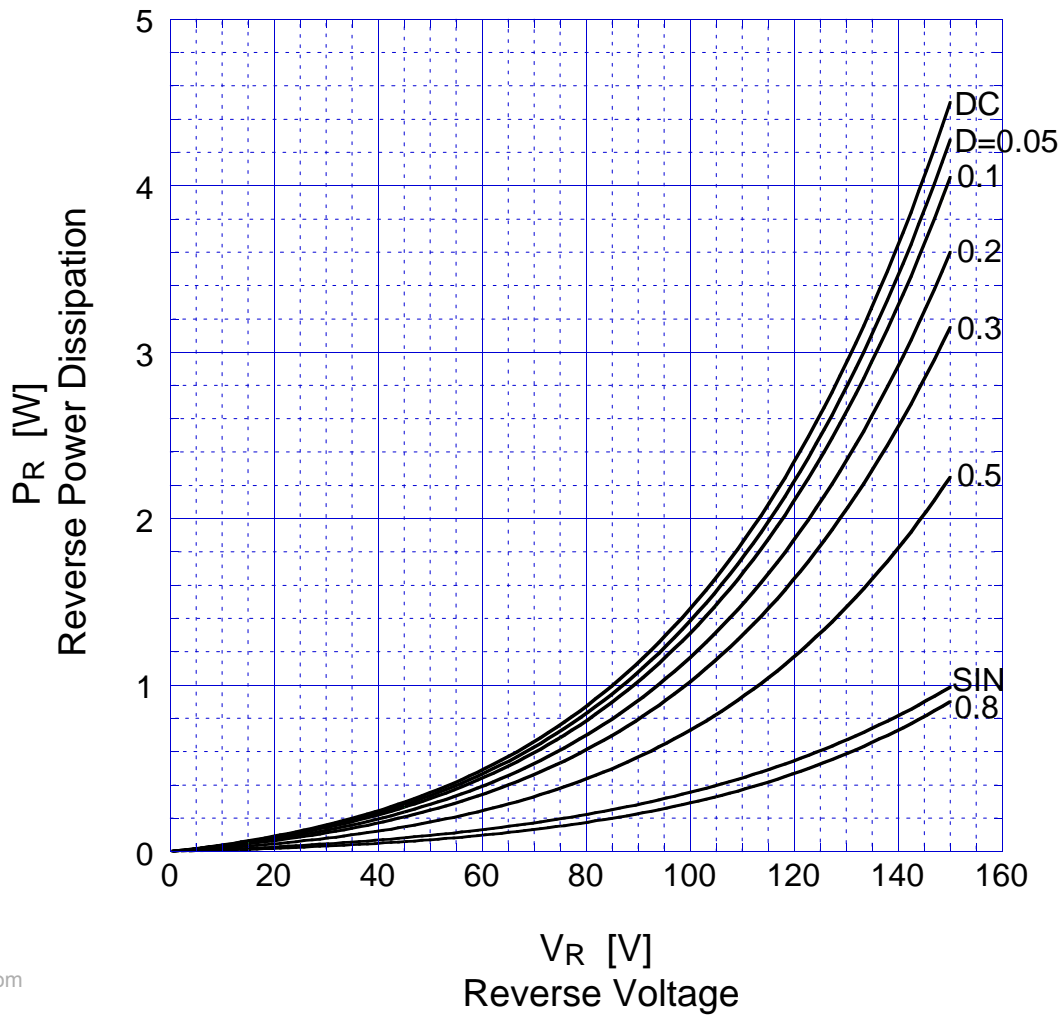
## SF30NC15M Forward Power Dissipation



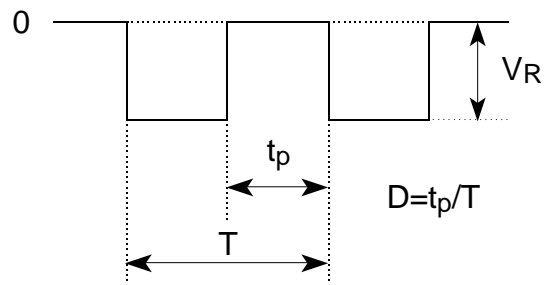
$T_j = 150^\circ\text{C}$



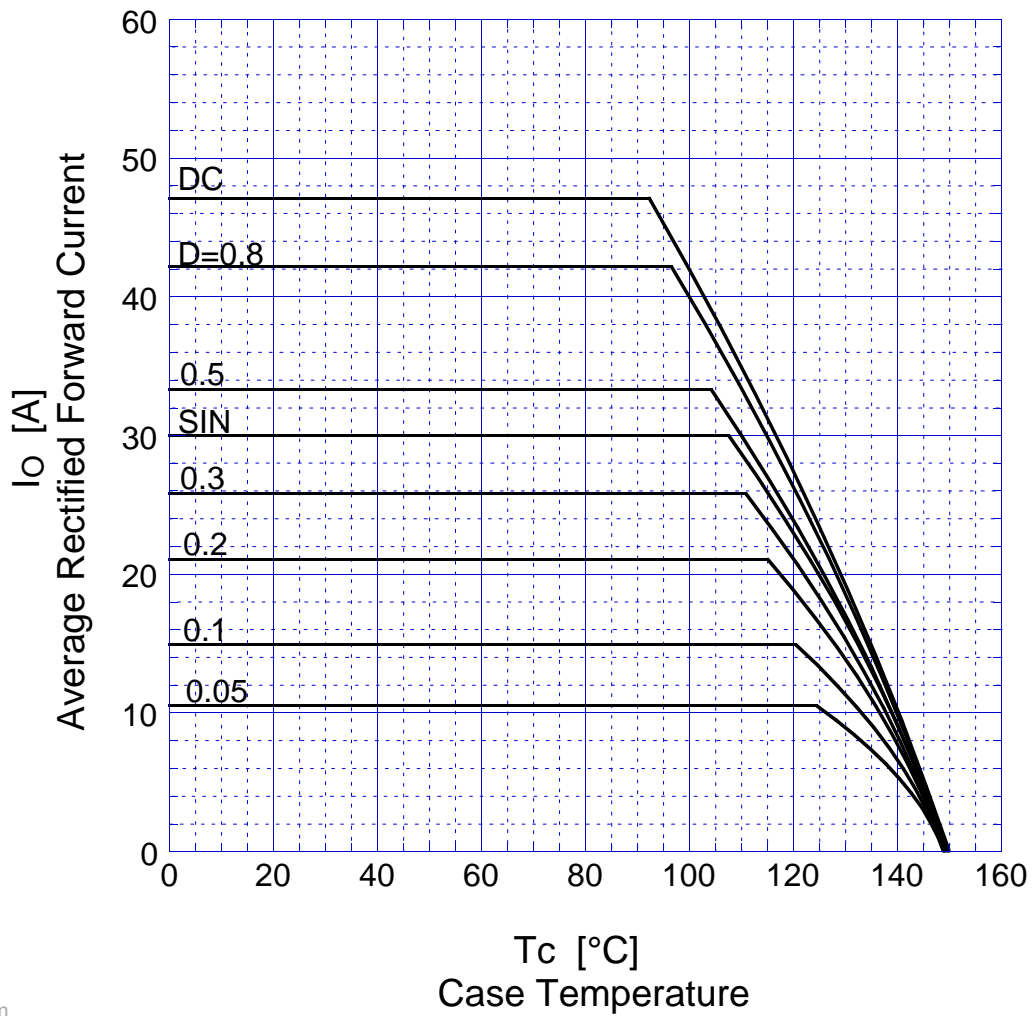
# SF30NC15M Reverse Power Dissipation



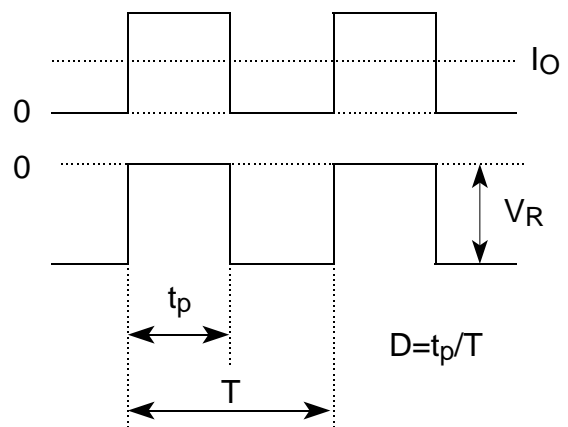
$T_j = 150^\circ\text{C}$



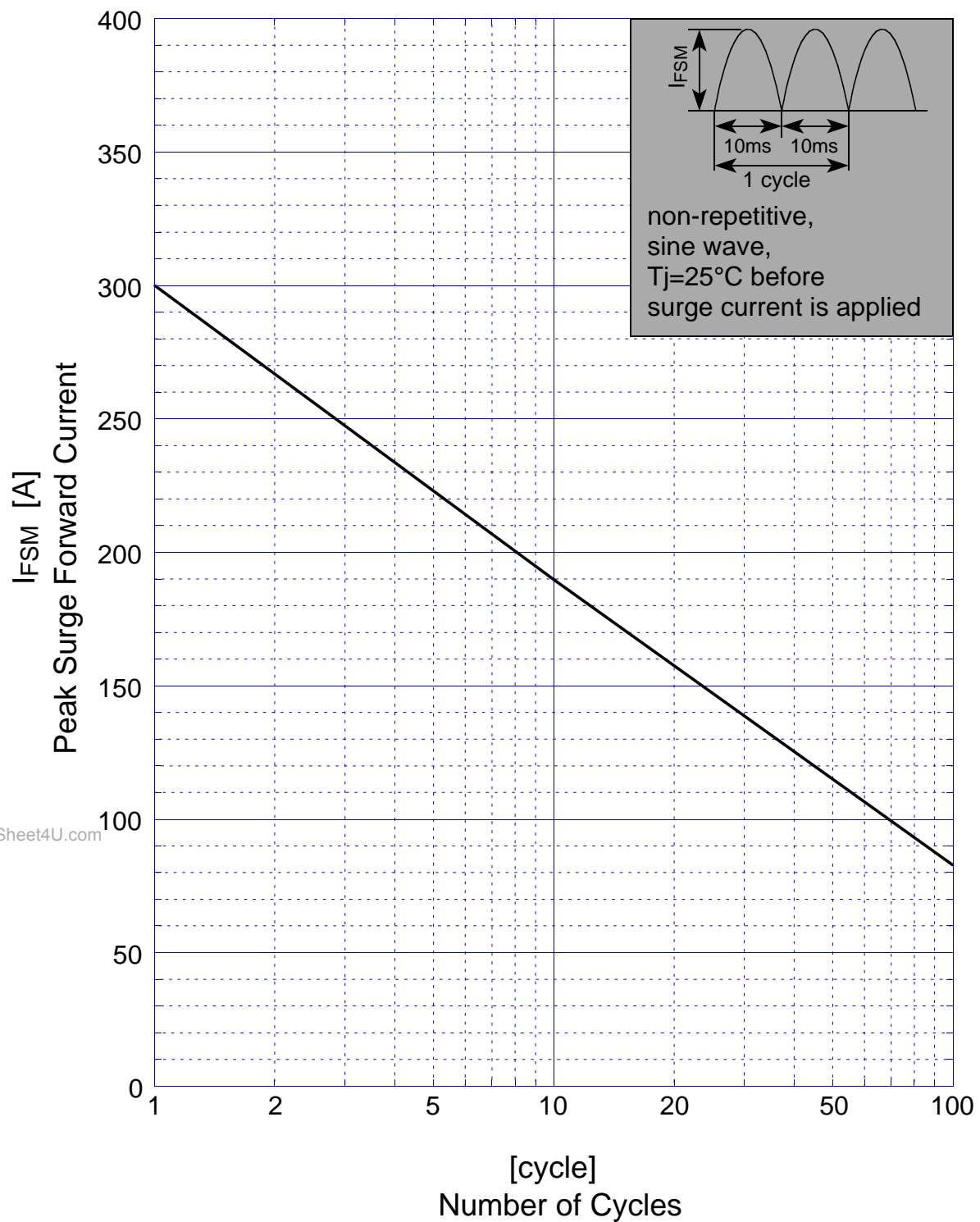
# SF30NC15M Derating Curve



$V_R = 75V$



## SF30NC15M Peak Surge Forward Capability



### SF30NC15M Junction Capacitance

