

High Performance Transition Mode PFC Controller

FEATURES

- ◆ Transition Mode (TM) Operation
- ◆ VCC Over Voltage Protection (OVP)
- ◆ Proprietary Soft Start Control
- ◆ Proprietary “Frequency Adjusting” for Higher PF and Low THD
- ◆ Highly Linear Analog Multiplier with THD Optimizer
- ◆ Low Start-up Current and Operating Current
- ◆ Trimmed 1.4% Internal Voltage Reference
- ◆ High Precise Output Over Voltage Protection Threshold with Low Temperature Drift
- ◆ Under Voltage Lockout with Hysteresis
- ◆ Restart Timer for Stand-alone Applications
- ◆ Disable Function
- ◆ Cycle-by-Cycle Current Limiting
- ◆ Built-in Leading Edge Blanking (LEB)
- ◆ Audio Noise Free Operation
- ◆ 10V to 31V Wide Range of VCC Voltage
- ◆ 800mA Drive Capability
- ◆ System Open Loop Protection

APPLICATIONS

- ◆ SMPS
- ◆ Lighting Application

GENERAL DESCRIPTION

SF6562 is a transition mode (TM) power factor correction (PFC) controller for AC-DC switching mode power supply and lighting applications.

In SF6562, a highly linear analog multiplier with THD optimizer is integrated to achieve very low THD and near unity power factor. The zero current detector (ZCD) ensures TM operation. A restart timer is for stand alone applications.

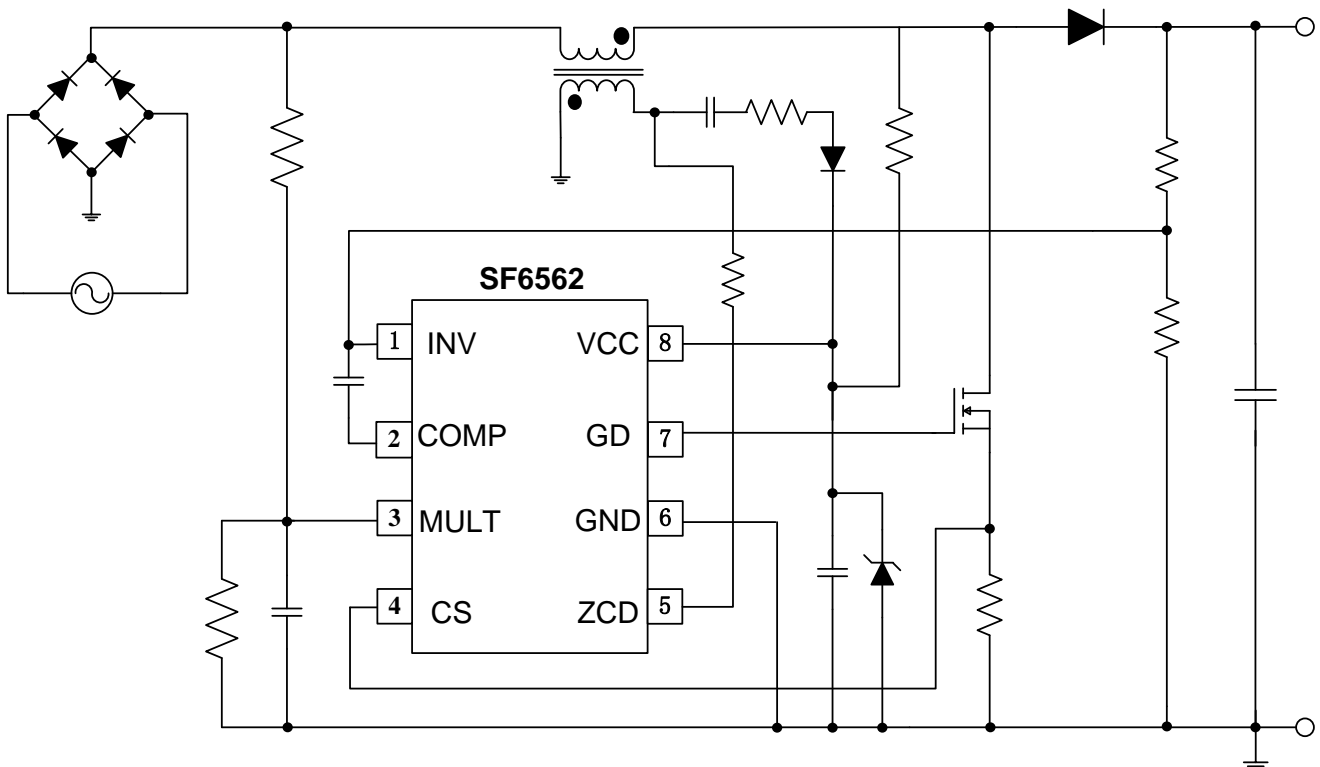
In SF6562, the proprietary “*Frequency Adjusting*” can help to improve THD performance, while ensures audio noise free operation. A **VCC Over Voltage Protection** (VCC OVP) is integrated to improve system reliability. The IC also has proprietary **Soft Start Control** to soften the stress on the MOSFET during power on period.

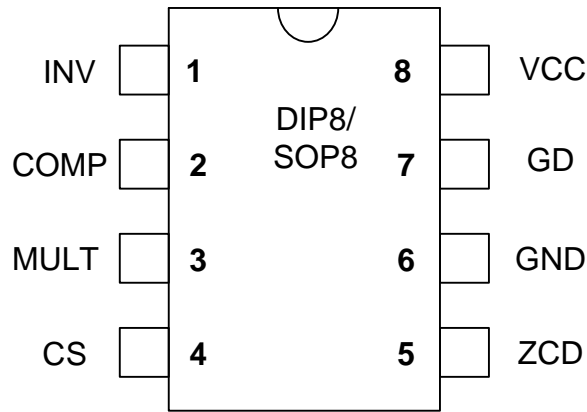
In SF6562, the threshold for Output Over Voltage Protection (OVP) and Error Amplifier (EA) are trimmed to tight range and internally temperature compensated.

SF6562 integrates functions and protections of Under Voltage Lockout (UVLO), VCC Over Voltage Protection (OVP), Soft Start Control, Cycle-by-cycle Current Limiting (OCP), GD Clamping, VCC Clamping, Leading Edge Blanking (LEB), System Open Loop Protection (OLP), Output OVP, etc.

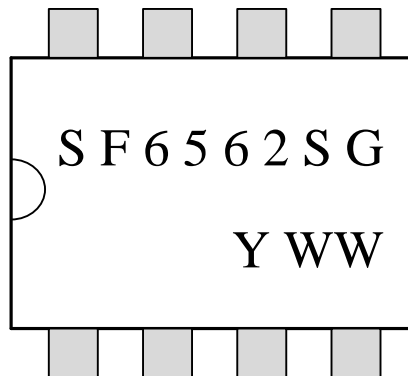
In SF6562, all protections are auto-recovery mode protection.

SF6562 is available in SOP-8 and DIP-8 packages.

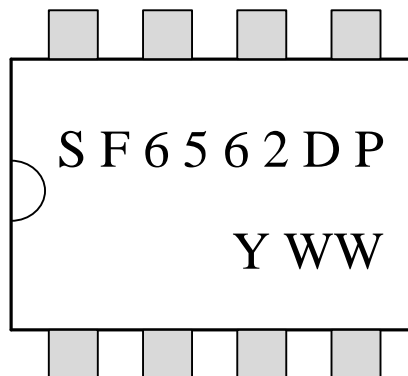
TYPICAL APPLICATION


Pin Configuration

Ordering Information

Part Number	Top Mark	Package		Tape & Reel
SF6562SG	SF6562SG	SOP8	Green	
SF6562SGT	SF6562SG	SOP8	Green	Yes
SF6562DP	SF6562DP	DIP8	RoHS	

Marking Information


YWW: Year&Week code



YWW: Year&Week code