

# **SPECIFICATION**

## **SFA035XSJ-R**

Customer Approved

Customer

Date

By

Sunful's Confirmation

Approved By



Prepared By



**VISION**  
**Sunful**

Room B ,29/F,No.1Building,Zhonghai  
Shenzhen Wanpan Garden ,Baishizhou ,  
Nanshan District Shenzhen .P.R China  
Tel: +86-755-88854218  
Fax: +86-755-82915120

Date: 2006.12.20

---

All information is subject to change without notice .  
Please confirm the sales representation before starting to design your system

# **CONTENTS**

General Description.....	3
Features .....	3
Applications .....	3
Driving Board Function Block .....	4
Application Schematic Diagrams .....	5
Electronic Characteristics.....	6
Connector Pin Definition.....	7
Outline Dimension .....	8

### **General Description :**

This Color TFT LCD Driving Board apply to drive PVI's PA035XUJ/XSJ Color TFT LCD Panel, The Driving Board provides all the Needs to convert Composite video signal to the proper interface of LCD Panel .It can accept PAL and NTSC Video signal input .

### **Features :**

- Fit PRIME VIEW PA035XUJ PA035XSJ TFT LCD
- Ultra Compact
- DC/DC DC/AC Video Decoder All In One
- PAL or NTSC Video input
- Up/Down Display Reverse
- Left/Right Display Reverse
- Single Operation Voltage 12V

### **Applications :**

- Security
- Video Game
- Door Phone
- Video Phone
- Portable TV
- Instrument Display

### **Video input signal: :**

- Composite Video Signal 1.0Vp-p 75R

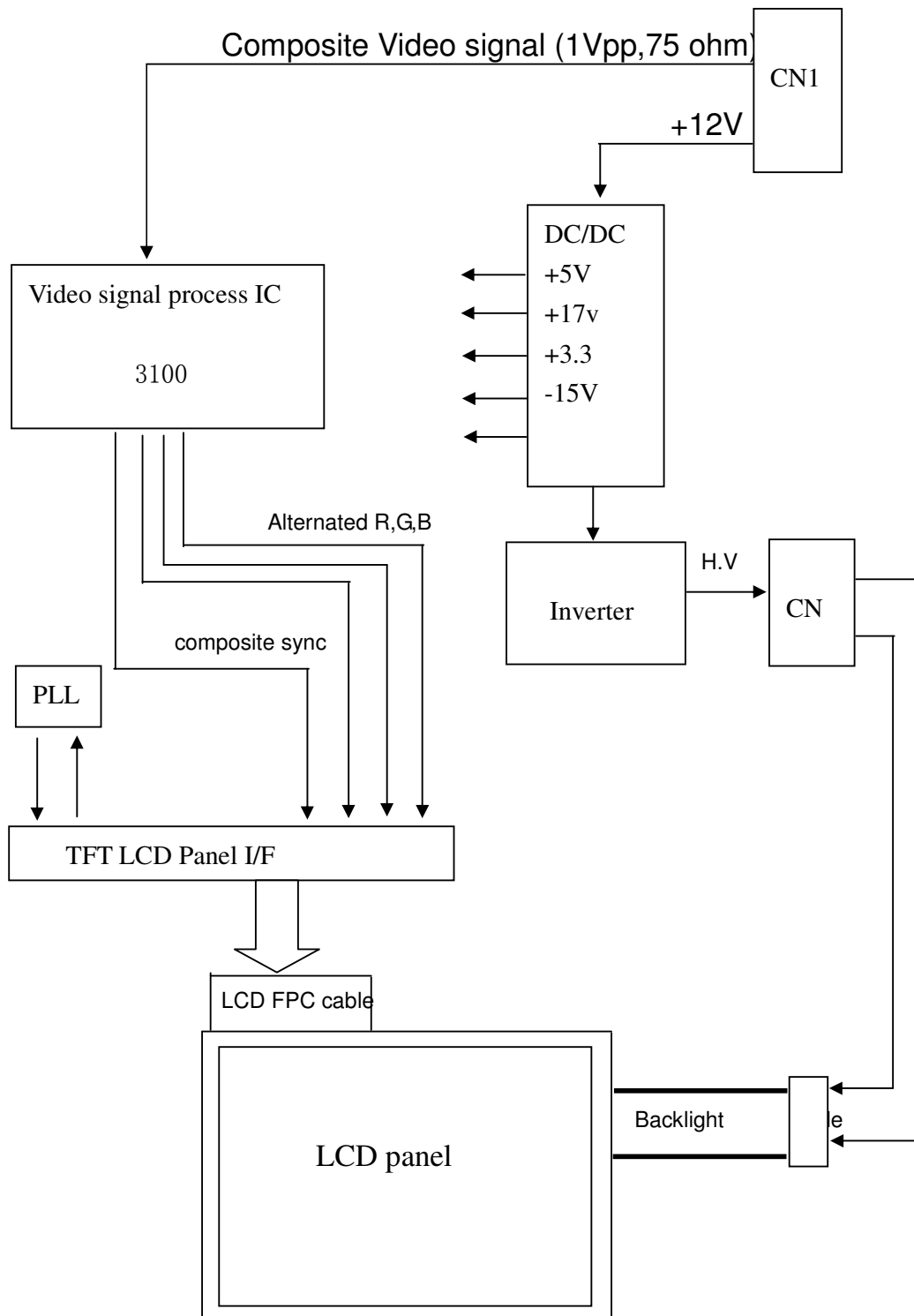
### **Work temperature :**

- 0<sup>0</sup>C—+60<sup>0</sup>C

### **Storage temperature :**

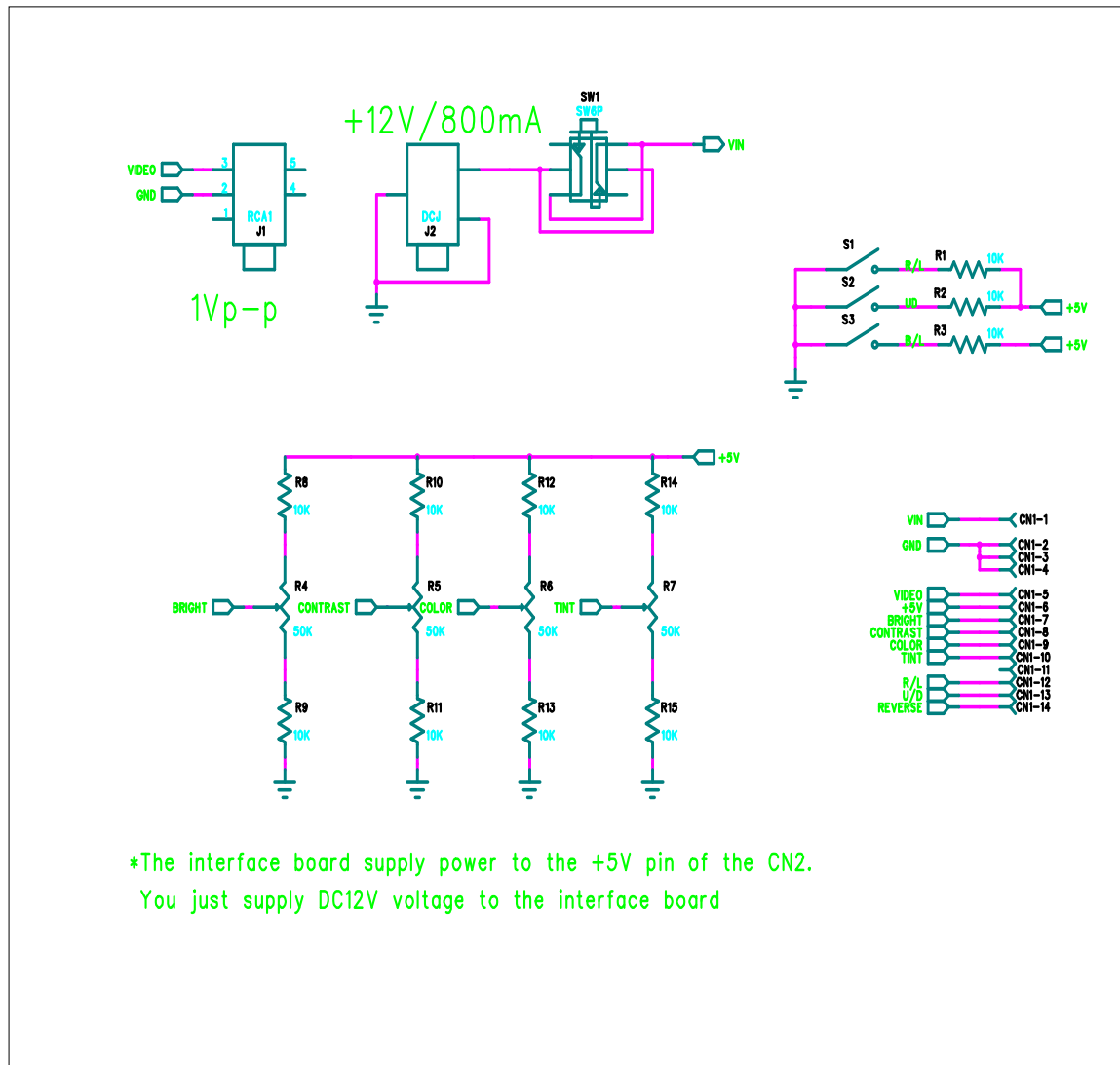
- -20<sup>0</sup>C—+80<sup>0</sup>C

**Driving Board Function Block :**



All information is subject to change without notice .  
Please confirm the sales representation before starting to design your system

## Application Schematic Diagrams



## Electronic Characteristics (CN1)

Pin	Symbol	I/O	Conditions	Min	Typ	Max	Unit
5	Video	I	PAL or NTSC		1		V
1	V in I in P in	I	DC( + )	10	12	15	V
			DC ( +12V )		250		mA
					2.8		W
6	Vo Io	O	DC ( + )		5		V
					20		mA
7	Bright(RGB)	I	DC ( + )	1.5	1.8	2.0	V
8	Contrast	I	DC ( + )	1.8	2.3	2.8	V
9	Color	I	DC ( + )	2.8	1.8	3.6	V
10	Tint	I	DC ( + )	1.6	1.9	2.5	V

### Other VR Default Voltage

Pin	Symbol	I/O	Conditions	Min	Typ	Max	Unit
1	BRT	I	DC( + )	1.8	2.03	2.2	V
2	PIC	I	DC( + )	0.3	0.7	1.0	V

## Input / Output Connector

### 1.) CN1: Power & Video Input Connector

Pin No. : 14 , Pitch : 1.25 mm, Molex 53398-1410 or compatibility

### 2.) CN2: R;G;B... Input Connector

Pin No. : 9 , Pitch : 1.25 mm, Molex 53398-0910 or compatibility

### 3.) JP1: LCD\_Singal Output Connector

FPC Down Connect , 30 Pins , Pitch : 0.5 mm

### 4.) CNH1: Backlight Connector

Pin No. : 2 , Pitch : 3.5 mm JST BHSR-02VS-1or compatibility

## Connector Pin Definition

### CN1 pin definition

No.	Pin Name	I/O	Pin description	Remark
1	Vin	I	+12V power input	
2	GND	I	Power ground	
3	GND	I	Power ground	
4	GND	I	Video signal ground	
5	Video	I	Composite video signal input	
6	+5V	O	For pin7/8/9/10 control purpose	
7	Brightness	I	Brightness control voltage input	
8	Contrast	I	Contrast control voltage input	
9	Color	I	Color control voltage input	
10	Tint	I	Tint control voltage input	Reserve
11	N.C.	NC	No connection	Reserve
12	R/L	I	Picture left/right inverse control	NOTE 1
13	U/D	I	Picture up/down inverse control	NOTE 2
14	DIMMER	I	Dimmer (Default Low )	

### CN2 pin definition

No.	Pin Name	I/O	Pin description	Remark
1	Rin	I	Rin	
2	Gin	I	Gin	
3	Bin	I	Bin	
4	SW	I	Switch (Video/R,G,B Select)	NOTE 3
5	SYNC IN	I	SYNC IN	
6	SYNC OUT	O	SYNC Out	
7	/HSYNC OUT	O	/HSYNC OUT	
8	/VSYNC OUT	O	/VSYNC OUT	
9	GND	I	Ground	

### (1) CNH1 pin definition

No.	Pin Name	I/O		Remark
1	HV	O	Lamp driving terminal (high voltage)	
2	LV	O	Lamp driving terminal (low voltage)	

### (2) JP1 pin definition

Meet PA035XS1 input definition

NOTE 1 :

R/L = Hi(+5V) for shift right , Low(GND) for shift left

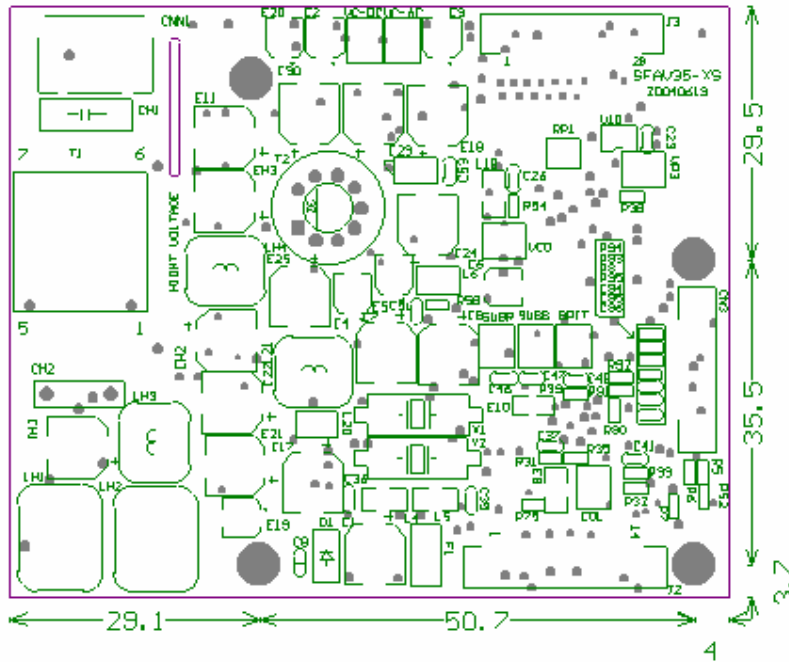
NOTE 2 :

U/D = Hi(+5V) for down , Low(GND) for up

NOTE 3 :

VIDEO = Low , High(+5v) for R,G,B INPUT

## Outline Dimension



Description:

Outline:83.8\*68.7\*12.0mm

Top\_Layer High (Max): 8.5mm

Board thickness: 1.6mm

Bottom\_Layer High (Max): 2.0mm

6 Screw : M3.0

Weight : 0.05kg