

SanRex manufactured

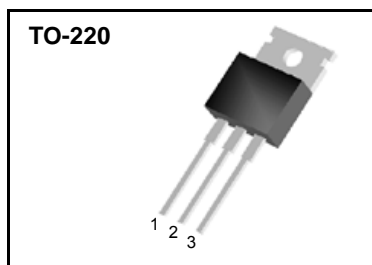
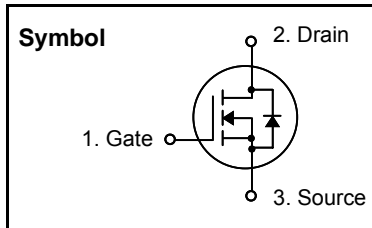
N-Channel MOSFET

Features

- **High ruggedness**
- $R_{DS(on)}$ (Max 0.55 Ω)@ $V_{GS}=10V$
- Gate Charge (Typical 46nC)
- Improved dv/dt Capability, High ruggedness
- 100% Avalanche Tested
- Maximum Junction Temperature Range (150°C)

General Description

This Power MOSFET is produced using SemiWell's advanced planar stripe, DMOS technology. This latest technology has been especially designed to minimize on-state resistance, have a high rugged avalanche characteristics. This devices is specially well suited for half bridge and full bridge resonant topolgy like a electronic lamp ballast.



Absolute Maximum Ratings

Symbol	Parameter	Value	Units
V_{DSS}	Drain to Source Voltage	400	V
I_D	Continuous Drain Current(@ $T_C = 25^\circ C$)	10	A
	Continuous Drain Current(@ $T_C = 100^\circ C$)	6.3	A
I_{DM}	Drain Current Pulsed (Note 1)	40	A
V_{GS}	Gate to Source Voltage	± 30	V
E_{AS}	Single Pulsed Avalanche Energy (Note 2)	680	mJ
E_{AR}	Repetitive Avalanche Energy (Note 1)	12.5	mJ
dv/dt	Peak Diode Recovery dv/dt (Note 3)	5	V/ns
P_D	Total Power Dissipation(@ $T_C = 25^\circ C$)	125	W
	Derating Factor above 25 °C	1.0	W/°C
T_{STG}, T_J	Operating Junction Temperature & Storage Temperature	- 55 ~ 150	°C
T_L	Maximum Lead Temperature for soldering purpose, 1/8 from Case for 5 seconds.	300	°C

Thermal Characteristics

Symbol	Parameter	Value			Units
		Min.	Typ.	Max.	
$R_{\theta JC}$	Thermal Resistance, Junction-to-Case	-	-	1	°C/W
$R_{\theta CS}$	Thermal Resistance, Case to Sink	-	0.5	-	°C/W
$R_{\theta JA}$	Thermal Resistance, Junction-to-Ambient	-	-	62	°C/W

SFP740

Electrical Characteristics (T_C = 25 °C unless otherwise noted)

Symbol	Parameter	Test Conditions	Min	Typ	Max	Units
Off Characteristics						
BV _{DSS}	Drain-Source Breakdown Voltage	V _{GS} = 0V, I _D = 250uA	400	-	-	V
$\frac{\Delta BV_{DSS}}{\Delta T_J}$	Breakdown Voltage Temperature coefficient	I _D = 250uA, referenced to 25 °C	-	0.50	-	V/°C
I _{DSS}	Drain-Source Leakage Current	V _{DS} = 400V, V _{GS} = 0V	-	-	1	uA
		V _{DS} = 320V, T _C = 125 °C	-	-	10	uA
I _{GSS}	Gate-Source Leakage, Forward	V _{GS} = 30V, V _{DS} = 0V	-	-	100	nA
	Gate-source Leakage, Reverse	V _{GS} = -30V, V _{DS} = 0V	-	-	-100	nA
On Characteristics						
V _{GS(th)}	Gate Threshold Voltage	V _{DS} = V _{GS} , I _D = 250uA	2.0	-	4.0	V
R _{DS(ON)}	Static Drain-Source On-state Resistance	V _{GS} = 10 V, I _D = 5A	-	-	0.55	Ω
Dynamic Characteristics						
C _{iss}	Input Capacitance	V _{GS} = 0 V, V _{DS} = 25V, f = 1MHz	-	1470	-	pF
C _{oss}	Output Capacitance		-	170	-	
C _{rss}	Reverse Transfer Capacitance		-	40	-	
Dynamic Characteristics						
t _{d(on)}	Turn-on Delay Time	V _{DD} = 200V, I _D = 10A, R _G = 50Ω * see fig. 13. (Note 4, 5)	-	20	50	ns
t _r	Rise Time		-	20	50	
t _{d(off)}	Turn-off Delay Time		-	130	270	
t _f	Fall Time		-	35	80	
Q _g	Total Gate Charge		V _{DS} = 320V, V _{GS} = 10V, I _D = 10A	-	48	
Q _{gs}	Gate-Source Charge	-		8	-	
Q _{gd}	Gate-Drain Charge(Miller Charge)	* see fig. 12. (Note 4, 5)		-	19	-

Source-Drain Diode Ratings and Characteristics

Symbol	Parameter	Test Conditions	Min.	Typ.	Max.	Unit.
I _S	Continuous Source Current	Integral Reverse p-n Junction Diode in the MOSFET	-	-	10	A
I _{SM}	Pulsed Source Current		-	-	40	
V _{SD}	Diode Forward Voltage	I _S = 10A, V _{GS} = 0V	-	-	2.0	V
t _{rr}	Reverse Recovery Time	I _S = 10A, V _{GS} = 0V, di _F /dt = 100A/us	-	280	-	ns
Q _{rr}	Reverse Recovery Charge		-	2.7	-	uC

* NOTES

1. Repeativity rating : pulse width limited by junction temperature
2. L = 12 mH, I_{AS} = 10A, V_{DD} = 50V, R_G = 0Ω, Starting T_J = 25°C
3. I_{SD} ≤ 10A, di/dt ≤ 300A/us, V_{DD} ≤ BV_{DSS}, Starting T_J = 25°C
4. Pulse Test : Pulse Width ≤ 300us, Duty Cycle ≤ 2%
5. Essentially independent of operating temperature.



Fig 1. On-State Characteristics

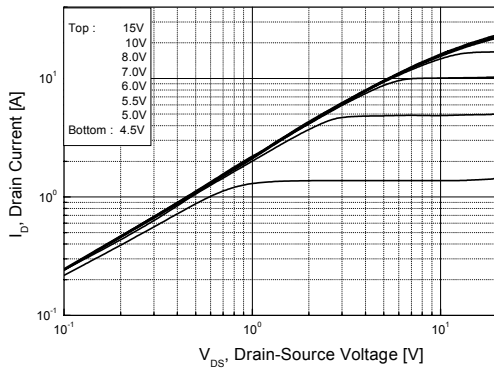


Fig 2. Transfer Characteristics

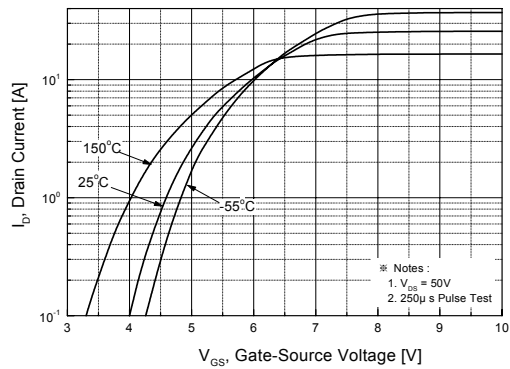


Fig 3. On Resistance Variation vs. Drain Current and Gate Voltage

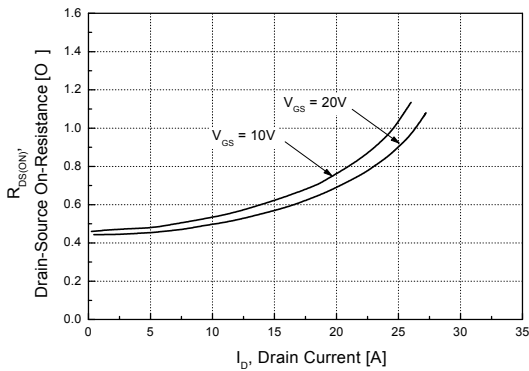


Fig 4. On State Current vs. Allowable Case Temperature

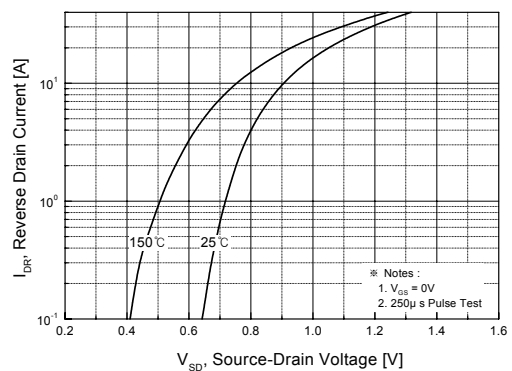


Fig 5. Capacitance Characteristics (Non-Repetitive)

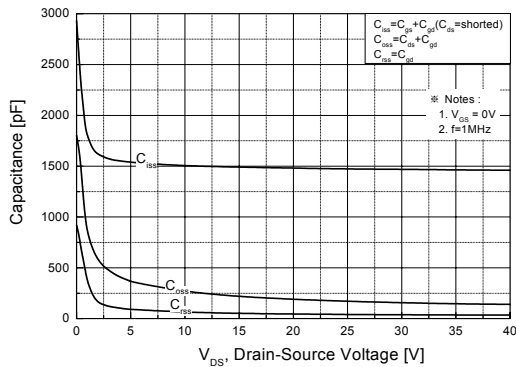
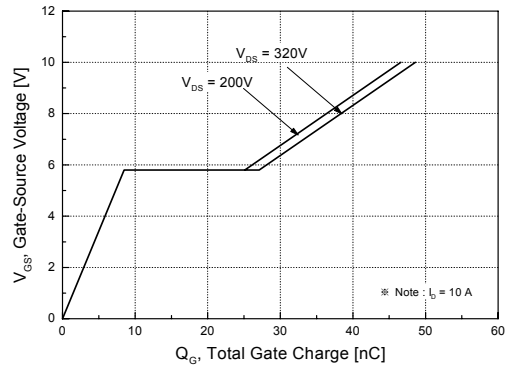


Fig 6. Gate Charge Characteristics



SFP740

Fig 7. Breakdown Voltage Variation

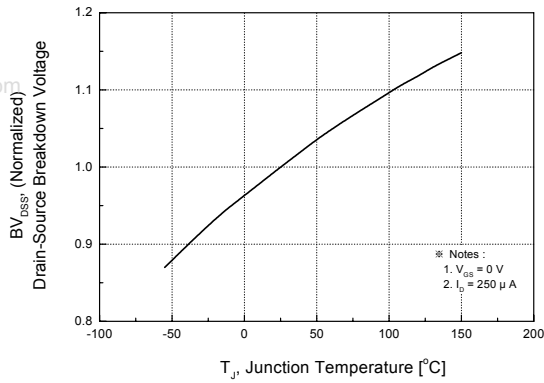


Fig 8. On-Resistance Variation

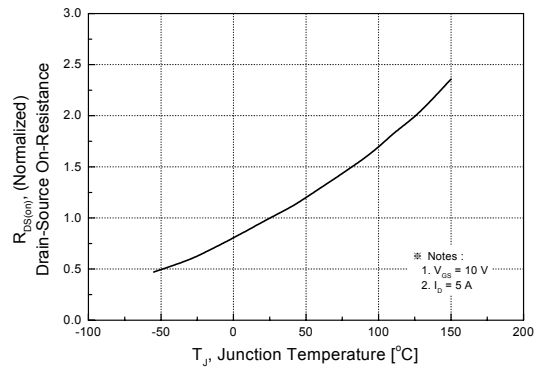


Fig 9. Maximum Safe Operating Area

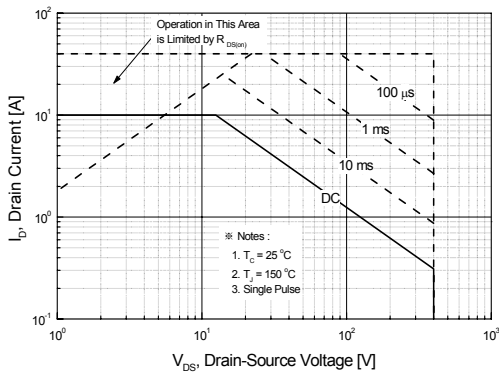


Fig 10. Maximum Drain Current vs. Case Temperature

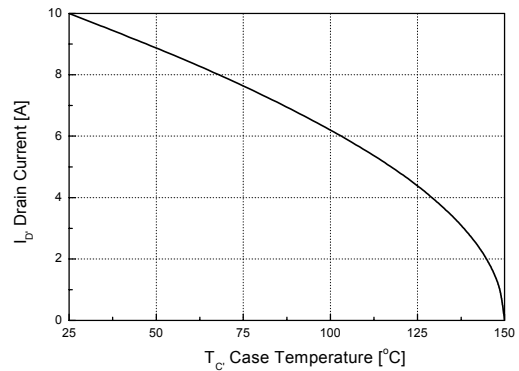


Fig 11. Transient Thermal Response Curve

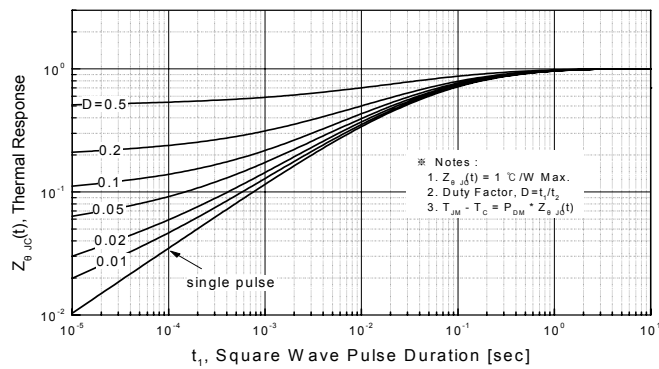


Fig. 12. Gate Charge Test Circuit & Waveforms

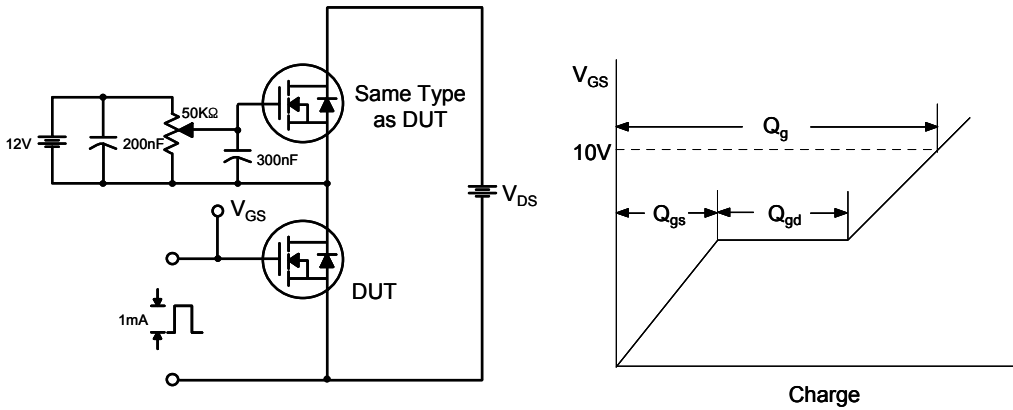


Fig 13. Switching Time Test Circuit & Waveforms

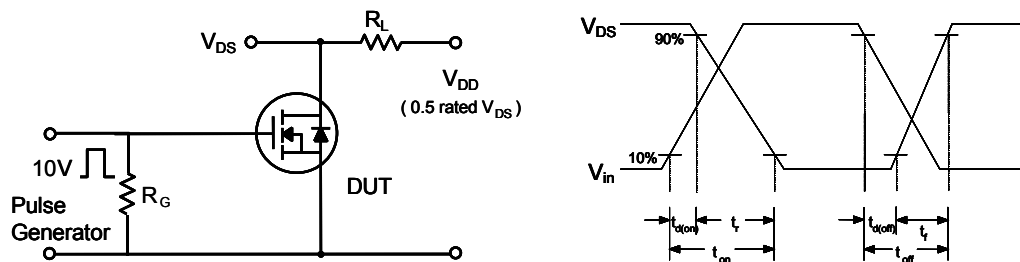
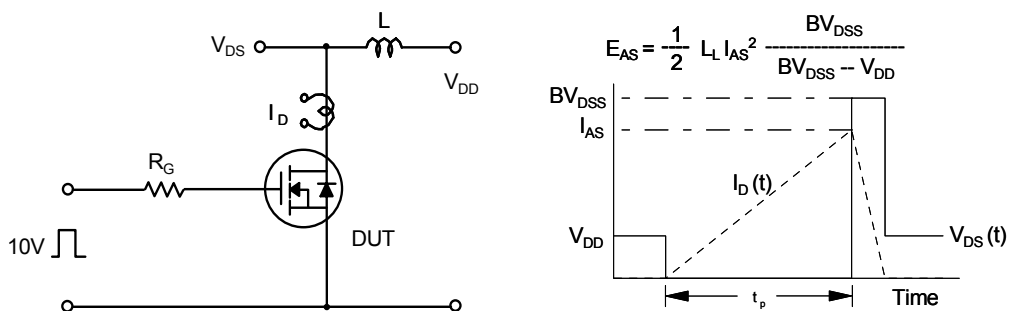
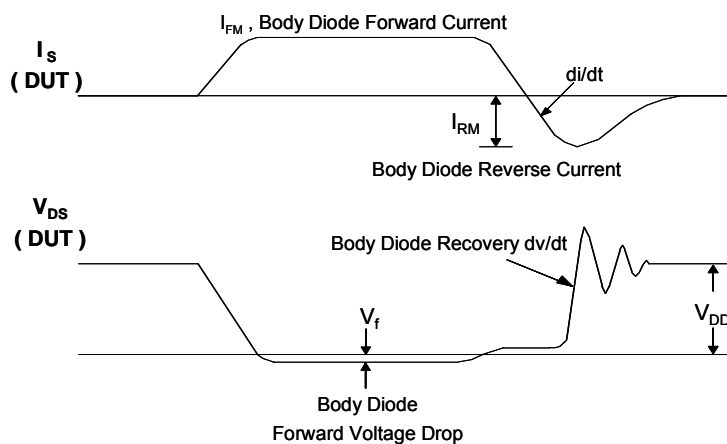
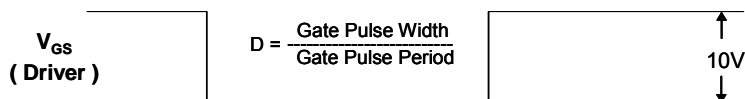
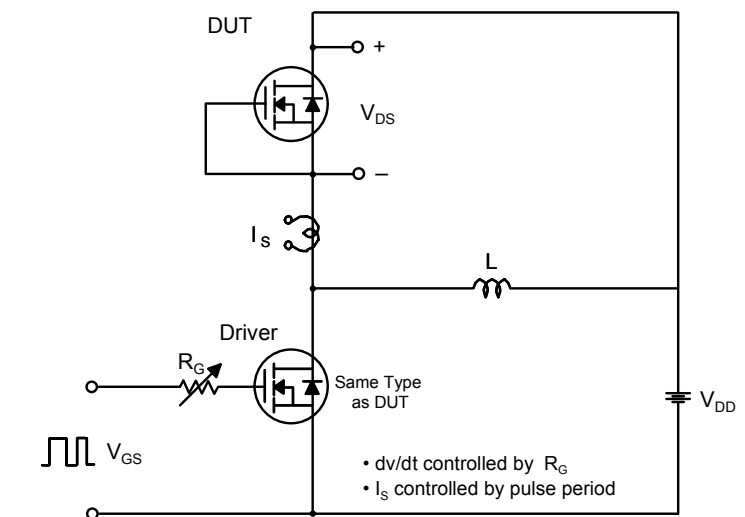


Fig 14. Unclamped Inductive Switching Test Circuit & Waveforms



SFP740

Fig. 15. Peak Diode Recovery dv/dt Test Circuit & Waveforms



TO-220 Package Dimension

www.DataSheet4U.com

Dim.	mm			Inch		
	Min.	Typ.	Max.	Min.	Typ.	Max.
A	9.7		10.1	0.382		0.398
B	6.3		6.7	0.248		0.264
C	9.0		9.47	0.354		0.373
D	12.8		13.3	0.504		0.524
E	1.2		1.4	0.047		0.055
F		1.7			0.067	
G		2.5			0.098	
H	3.0		3.4	0.118		0.134
I	1.25		1.4	0.049		0.055
J	2.4		2.7	0.094		0.106
K	5.0		5.15	0.197		0.203
L	2.2		2.6	0.087		0.102
M	1.25		1.55	0.049		0.061
N	0.45		0.6	0.018		0.024
O	0.6		1.0	0.024		0.039
\emptyset		3.6			0.142	

