

Surface mount 1.5A Ultra-fast-recovery rectifier diode

SFPX-62

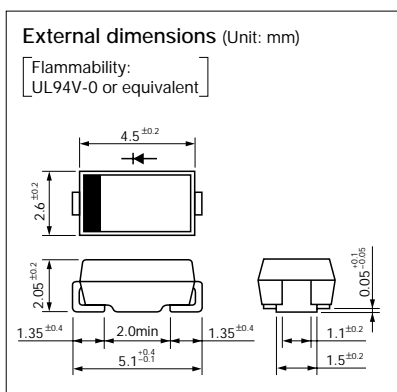
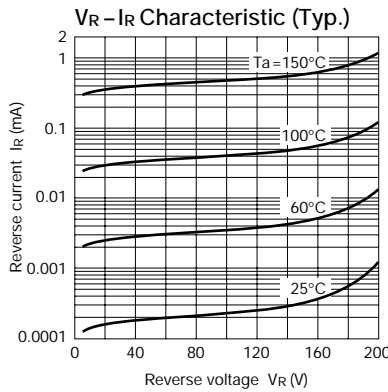
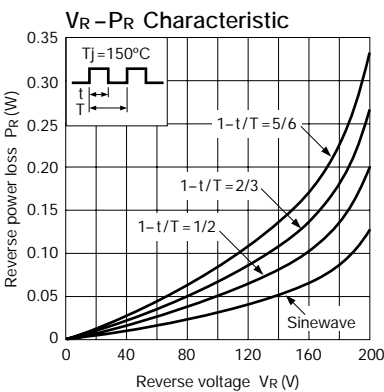
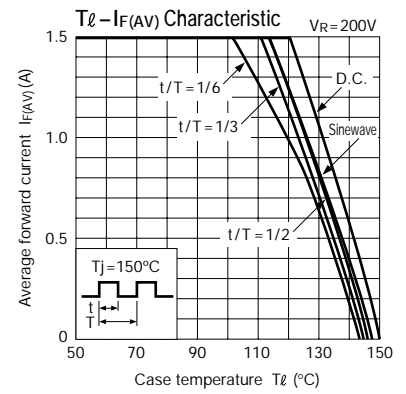
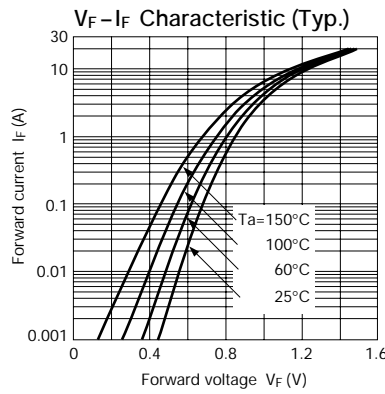
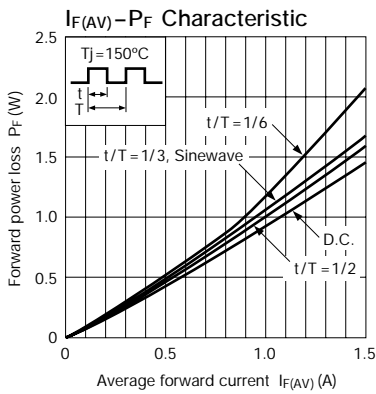
Absolute maximum ratings

Parameter	Ratings	Unit	Conditions
V_{RM}	200	V	
$I_{F(AV)}$	1.5	A	
I_{FSM}	30	A	10ms Half-cycle sinewave Single Shot
I^2t	4.5	A^2s	
T_j	-40 to +150	$^{\circ}C$	
T_{stg}	-40 to +150	$^{\circ}C$	

Electrical characteristics

($T_a = 25^{\circ}C$)

Parameter	Ratings	Unit	Conditions
V_F	0.98max	V	$I_F = 1.5A$
I_R	10max	μA	$V_R = V_{RM}$
H.I.R	2max	mA	$T_j = 150^{\circ}C$, $V_R = V_{RM}$
$trr1$	30	ns	$I_F = I_{RP} = 100mA$, 90% Recovery Point, $T_j = 25^{\circ}C$
$trr2$	25	ns	$I_F = 100mA$, $I_{RP} = 200mA$, 75% Recovery Point, $T_j = 25^{\circ}C$
$R_{th(j-l)}$	20max	$^{\circ}C/W$	Junction-to-lead



Reference data

