



10/100/1000Base Transformer

Part Number:SG24002-1 G

- Compliant with IEEE 802.3 standard, Including 350 uH OCL with 8 mA bias.
- RoHS compliant.
- Operating temperature range :-0°C to +70°C.
- Storage temperature range: -0°C to +85°C.

Electrical Specifications @ 25°C

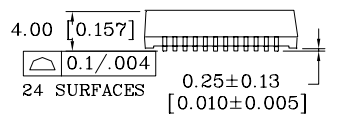
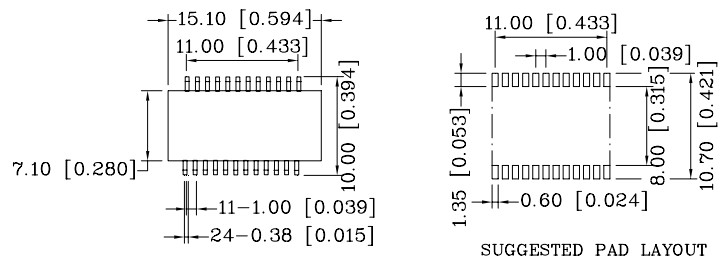
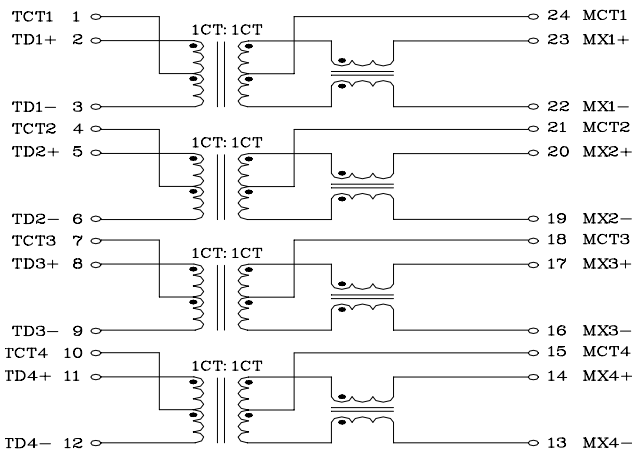
Part Number	Turns Ratio (±5%)		OCL(uH Min) @100KHz/0.1V with 8.0mA DC	Insertion Loss (dB Max) 1-100MHz	HI-POT (Vrms) 1500
	TX	RX			
SG24002-1 G	1CT:1CT	1CT:1CT	350	-1.0	1500

Continue

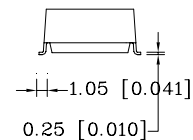
Part Number	Return Loss (dB Min)					Cross Talk (dB Min)			DCMR (dB Min)		
	1-30 MHz	40 MHz	50 MHz	60-80 MHz	100 MHz	30 MHz	60 MHz	80 MHz	30 MHz	60 MHz	100 MHz
SG24002-1 G	-18	-14.4	-13.1	-12	-10	-45	-40	-35	-43	-37	-33

Schematics:

Mechanicals:



SUGGESTED PAD LAYOUT



Units: mm[Inches] all Tolerance are :
 XX.XX±0.25[0.010]
 0.XX±0.05[0.002]