

LAN TRANSFORMER

SG247XX G-Series

100/1000 Base-T Single Port Magnetic Modules SMD



Features And Benefits

Cable Interface For Isolation And Low Common Mode Emissions Compliant With RoHS Requirements

Electrical Performance Summary

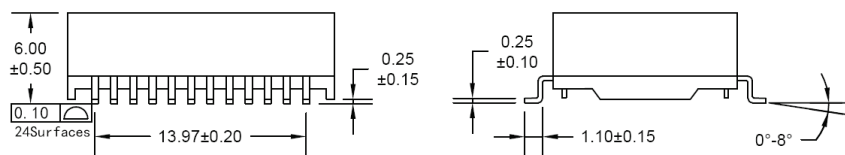
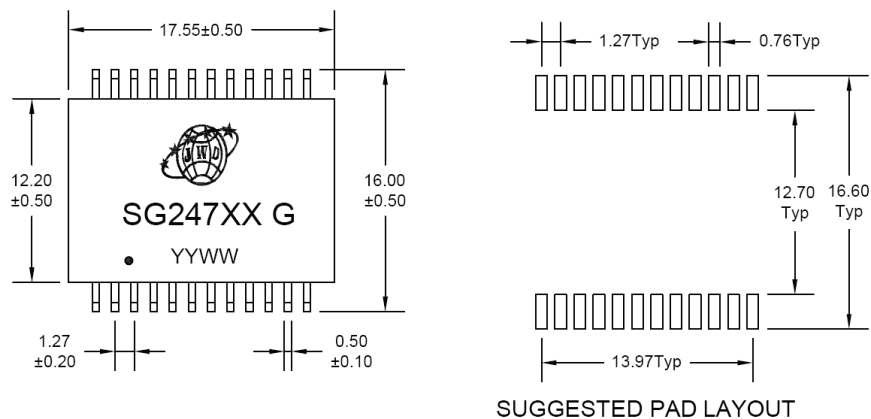
Designed For Ethernet 100/1000 Base-T, Full Single Port Applications

Compliant With IEEE 802.3 Standard For 100/1000 Base-T

Electrical Specifications @ 25°C

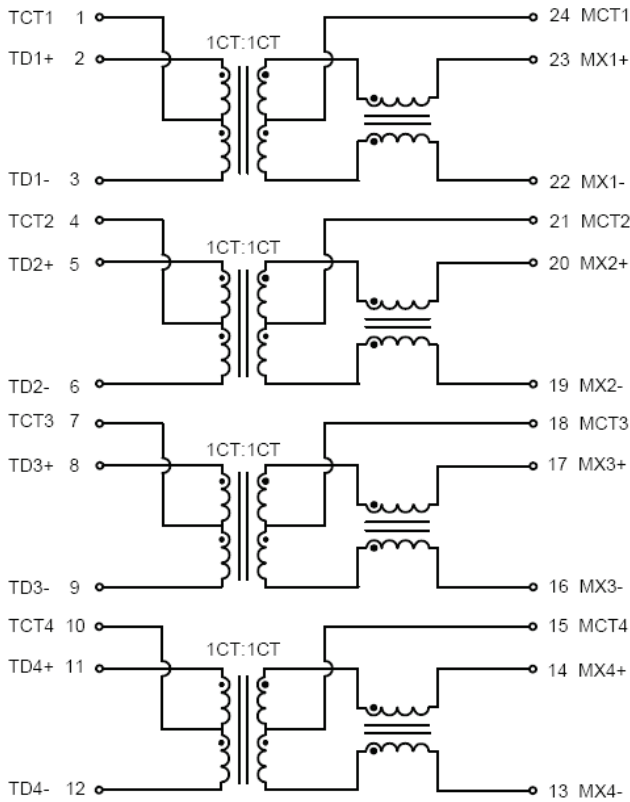
Part Number	DCL (μH)	Insertion Loss (dB)		Return Loss (dB)		Cross Talk (dB)	CMRR (dB)	Isolation Hipot (V)	PoE Rating	Operating Temperature (°C)
	Min	Max		Min		Min	Min			
	100kHz,0.1V	0.5-1 MHz	1-125 MHz	1-40 MHz	40-100 MHz	1-100 MHz	1-100 MHz	1mA,60s		
SG24701 G	350(8mA DC BIAS)	-1.2	-0.2-0.002*f^1.4	-16	-10+20*log(f/80)	-30	-30	1500	NON-PoE	0 to 70
SG24703 G	350(8mA DC BIAS)	-1.2	-0.2-0.002*f^1.4	-16	-10+20*log(f/80)	-30	-30	1500	PoE 15W	0 to 70
SG24702P G	350(14mA DC BIAS)	-1.2	-0.2-0.002*f^1.4	-16	-10+20*log(f/80)	-30	-30	1500	4PPoE 90W	-40 to 85
SG24701A G	350(8mA DC BIAS)	-1.2	-0.2-0.002*f^1.4	-16	-10+20*log(f/80)	-30	-30	1500	PoE 15W	0 to 70
SG24701AT G	350(8mA DC BIAS)	-1.2	-0.2-0.002*f^1.4	-16	-10+20*log(f/80)	-30	-30	1500	PoE 15W	-40 to 85
SG24706 G	350(8mA DC BIAS)	-1.2	-0.2-0.002*f^1.4	-16	-10+20*log(f/80)	-30	-30	1500	PoE 15W	0 to 70
SG24706-IPT G	350(14mA DC BIAS)	-1.2	-0.2-0.002*f^1.4	-16	-10+20*log(f/80)	-30	-30	1500	4PPoE 90W	-40 to 85
SG24719PT G	350(8mA DC BIAS)	-1.2	-0.2-0.002*f^1.4	-16	-10+20*log(f/80)	-30	-30	1500	4PPoE 90W	-40 to 85

Mechanical

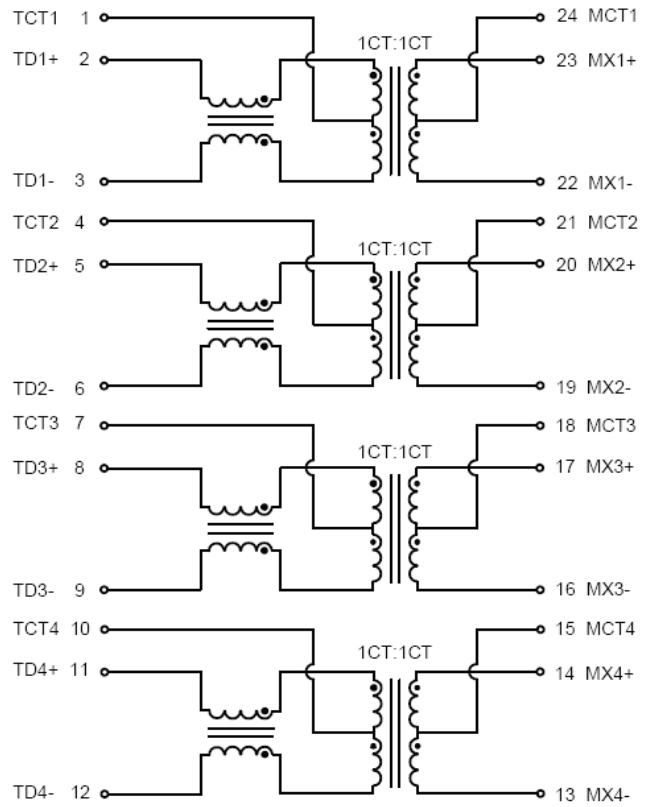


• The Latest Changes Without Notice. Or The Latest Changes And Information Please Contact With Us!
 • The Product Data Only Shows The Basic Parameter Characteristics. He Detailed Application Requirements And Matters Needing Attention Should Be Confirmed To Us

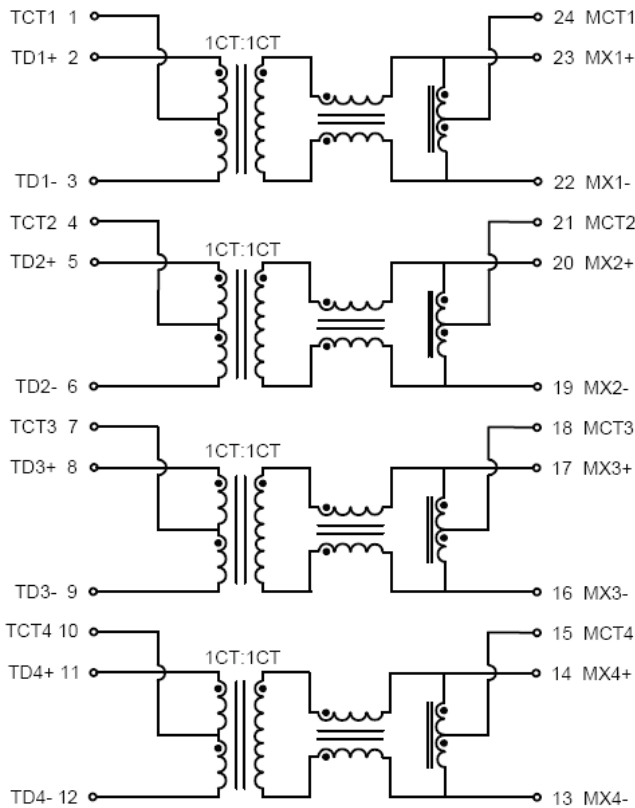
SG24701 G



SG24703 G/SG24702P G



SG24701A G/SG24701AT G



SG24706 G/SG24706-1PT G/SG24719PT G

