



# 10/100/1000BASE SMD Transformer

Part Number:SG48001-1 G

Page:1/1

- Compliant with IEEE 802.3 standard, Including 350 uH OCL with 8 mA bias.
- RoHS compliant.
- Operating temperature range :-0°C to +70°C.
- Storage temperature range: -0°C to +85°C.

**Electrical Specifications @ 25°C**

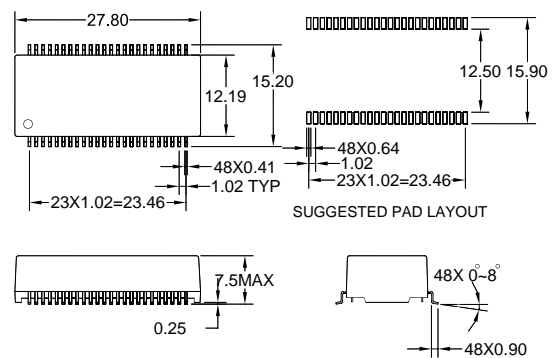
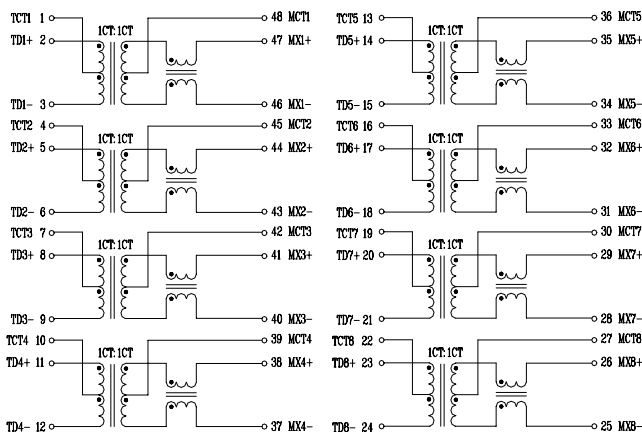
Part Number	Turns Ratio (±5%)		OCL(uH Min) @100KHz/0.1V with 8.0mA DC	Insertion Loss (dB Max) 1-100MHz	HI-POT (Vrms)
	TX	RX			
SG48001-1 G	1CT:1CT	1CT:1CT	350	-1.0	1500

**Continue**

Part Number	Return Loss (dB Min)			Cross Talk (dB Min)		DCMR (dB Min)	
	1-30MHz	30-60MHz	60-80MHz	1- 60MHz	60-100MHz	1- 60MHz	60-100MHz
SG48001-1 G	-18	-14	-12	-40	-35	-37	-28

Schematics:

Mechanicals:



Unless otherwise specified , all tolerance are xx.xx± 0.25 0.xx±0.05