

# SG6742HL/HR

## Highly Integrated Green-Mode PWM Controller

### Features

- High-Voltage Startup
- Low Operating Current: 2.7mA
- Linearly Decreasing PWM Frequency to 22KHz
- Frequency Hopping to Reduce EMI Emission
- Fixed PWM Frequency: 100KHz
- Peak-Current-Mode Control
- Cycle-by-Cycle Current Limiting
- Leading-Edge Blanking (LEB)
- Synchronized Slope Compensation
- Internal Open-Loop Protection
- GATE Output Maximum Voltage Clamp: 18V
- V<sub>DD</sub> Under-Voltage Lockout (UVLO)
- V<sub>DD</sub> Over-Voltage Protection (OVP)
- Programmable Over-Temperature Protection (OTP)
- Internal Latch Circuit (OVP, OTP)
- Internal-Sense, Short-Circuit Protection
- Built-in 6ms Soft-Start Function
- Constant Power Limit (Full AC Input Range)
- Internal OTP Sensor with Hysteresis

### Applications

General-purpose switch-mode power supplies and flyback power converters, including:

- Power Adapters
- Open-Frame SMPS

### Description

The highly integrated SG6742HL/HR PWM controller provides several features to enhance the performance of flyback converters.

To minimize standby power consumption, a proprietary green-mode function provides off-time modulation to linearly decrease the switching frequency at light-load conditions. To avoid acoustic-noise problems, the minimum PWM frequency is set above 22KHz. This green-mode function enables the power supply to meet international power conservation requirements. With the internal high-voltage startup circuitry, the power loss due to bleeding resistors is eliminated. To further reduce power consumption, SG6742HL/HR is manufactured using the BiCMOS process, which allows an operating current of 2.7mA.

SG6742HL/HR integrates a frequency-hopping function internally that helps reduce EMI emission of a power supply with minimum line filters. Its built-in synchronized slope compensation achieves stable peak-current-mode control. The proprietary, internal line compensation ensures constant output power limit over a wide AC input voltage range, from 90V<sub>AC</sub> to 264V<sub>AC</sub>.

SG6742HL/HR provides many protection functions. In addition to cycle-by-cycle current limiting, the internal open-loop protection circuit ensures safety should an open-loop or output short-circuit failure occur. PWM output is disabled until V<sub>DD</sub> drops below the UVLO lower limit, when the controller starts up again. As long as V<sub>DD</sub> exceeds ~25V, the internal OVP circuit is triggered.

SG6742HL/HR is available in an 8-pin SOP package.

### Ordering Information

Part Number	Operating Temperature Range	OLP Function	Package	Eco Status	Packing Method
SG6742HLSY	-40 to +105°C	Latch	8-Lead Small Outline Package (SOP)	Green	Tape & Reel
SG6742HRSY	-40 to +105°C	Restart	8-Lead Small Outline Package (SOP)	Green	Tape & Reel

### Application Diagram

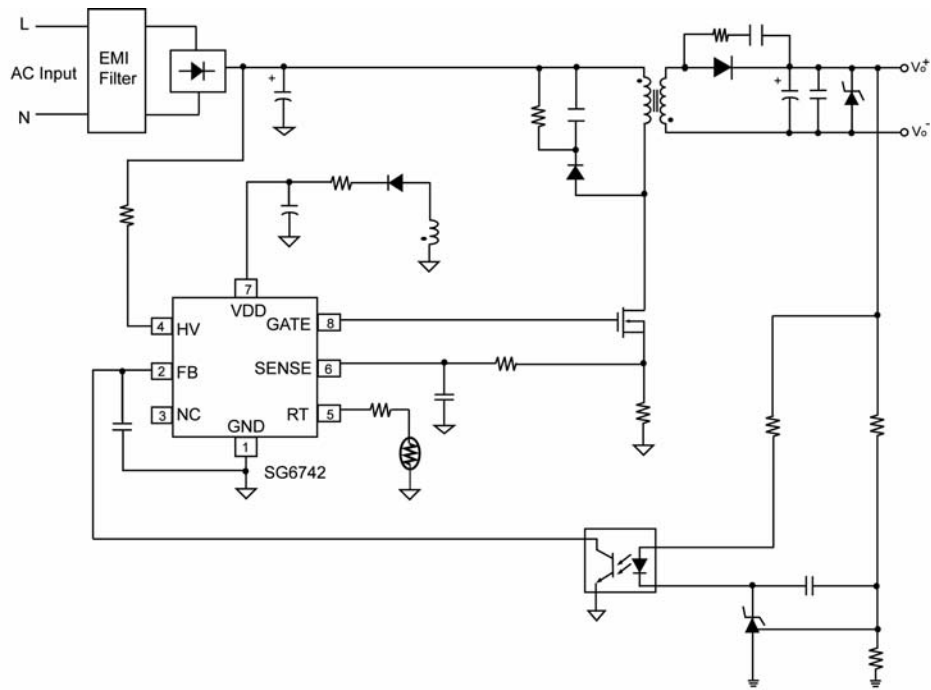


Figure 1. Typical Application

### Internal Block Diagram

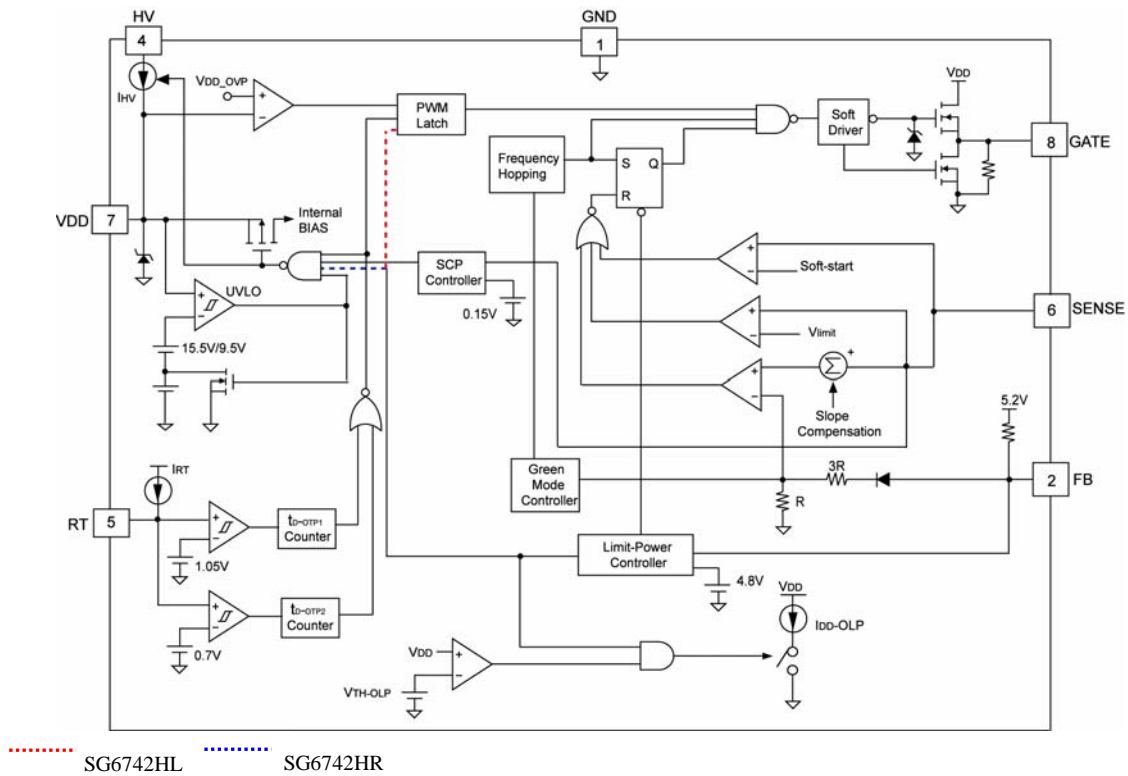
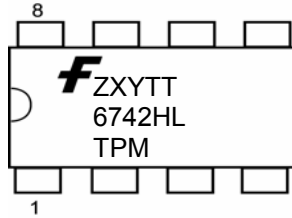
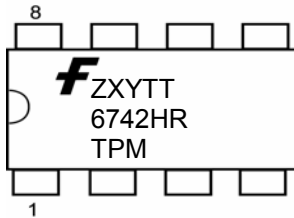


Figure 2. Functional Block Diagram

## Marking Information



**F** - Fairchild Logo  
**Z** - Plant Code  
**X** - 1-Digit Year Code  
**Y** - 1-Digit Week Code  
**TT** - 2-Digit Die Run Code  
**T** - Package Type (S=SOP)  
**P - Y**: Green Package  
**M** - Manufacture Flow Code

Figure 3. Top Mark

## Pin Configuration

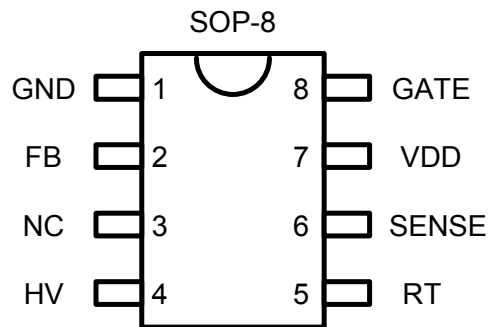


Figure 4. Pin Configuration (Top View)

## Pin Definitions

Pin #	Name	Description
1	GND	Ground.
2	FB	The signal from the external compensation circuit is fed into this pin. The PWM duty cycle is determined in response to the signal on this pin and the current-sense signal on the SENSE pin.
3	NC	No connection.
4	HV	For startup, this pin is pulled high to the line input or bulk capacitor via resistors.
5	RT	For over-temperature protection, an external NTC thermistor is connected from this pin to the GND pin. The impedance of the NTC decreases at high temperatures. Once the voltage of the RT pin drops below a fixed limit, PWM output is latched.
6	SENSE	Current sense. The sensed voltage is used for peak-current-mode control and cycle-by-cycle current limiting.
7	VDD	Power supply. The internal protection circuit disables PWM output as long as V <sub>DD</sub> exceeds the OVP trigger point.
8	GATE	The totem-pole output driver. Soft driving waveform is implemented for improved EMI.

## Absolute Maximum Ratings

Stresses exceeding the absolute maximum ratings may damage the device. The device may not function or be operable above the recommended operating conditions and stressing the parts to these levels is not recommended. In addition, extended exposure to stresses above the recommended operating conditions may affect device reliability. The absolute maximum ratings are stress ratings only.

Symbol	Parameter		Min.	Max.	Unit
V <sub>VDD</sub>	DC Supply Voltage <sup>(1, 2)</sup>			30	V
V <sub>FB</sub>	FB Pin Input Voltage		-0.3	7.0	V
V <sub>SENSE</sub>	SENSE Pin Input Voltage		-0.3	7.0	V
V <sub>RT</sub>	RT Pin Input Voltage		-0.3	7.0	V
V <sub>HV</sub>	HV Pin Input Voltage			500	V
P <sub>D</sub>	Power Dissipation (T <sub>A</sub> < 50°C)			400	mW
θ <sub>JA</sub>	Thermal Resistance (Junction-to-Air)			141	°C/W
T <sub>J</sub>	Operating Junction Temperature		-40	+125	°C
T <sub>STG</sub>	Storage Temperature Range		-55	+150	°C
T <sub>L</sub>	Lead Temperature (Wave Soldering or IR, 10 Seconds)			+260	°C
ESD	Human Body Model, JEDEC:JESD22-A114	All pins except HV pin		4.0	kV
	Charged Device Model, JEDEC:JESD22-C101	All pins except HV pin		1.5	

### Notes:

- All voltage values, except differential voltages, are given with respect to the network ground terminal.
- Stresses beyond those listed under “absolute maximum ratings” may cause permanent damage to the device.

## Electrical Characteristics

$V_{DD}=15V$  and  $T_A=25^{\circ}C$  unless otherwise noted.

Symbol	Parameter	Conditions	Min.	Typ.	Max.	Units
<b>V<sub>DD</sub> Section</b>						
$V_{OP}$	Continuously Operating Voltage				22	V
$V_{DD-ON}$	Start Threshold Voltage		14.5	15.5	16.5	V
$V_{DD-OFF}$	Minimum Operating Voltage		8.5	9.5	10.5	V
$I_{DD-ST}$	Startup Current	$V_{DD-ON} - 0.16V$			30	$\mu A$
$I_{DD-OP}$	Operating Supply Current	$V_{DD}=15V$ , GATE Open		2.7	3.7	mA
$I_{DD-OLP}$	Internal Sink Current	$V_{TH-OLP}+0.1V$	30	60	90	$\mu A$
$V_{TH-OLP}$	$I_{DD-OLP}$ off Voltage		6.5	7.5	8.0	V
$V_{DD-OVP}$	$V_{DD}$ Over-Voltage Protection		24	25	26	V
$t_{D-VDDOVP}$	$V_{DD}$ Over-Voltage Protection Debounce Time		75	125	200	$\mu s$
<b>HV Section</b>						
$I_{HV}$	Supply Current from HV Pin	$V_{AC}=90V$ ( $V_{DC}=120V$ ), $V_{DD}=0V$	1.75	2.30	3.35	mA
$I_{HV-LC}$	Leakage Current After Startup	$HV=500V$ , $V_{DD}=V_{DD-OFF}+1V$		1	20	$\mu A$
<b>Oscillator Section</b>						
$f_{OSC}$	Frequency in Normal Mode	Center Frequency	90	100	110	KHz
		Hopping Range	$\pm 4.2$	$\pm 4.7$	$\pm 5.2$	
$t_{HOP}$	Hopping Period		4.9	5.6	6.3	ms
$f_{OSC-G}$	Green-Mode Frequency		18	22	25	KHz
$f_{DV}$	Frequency Variation vs. $V_{DD}$ Deviation	$V_{DD}=11V$ to $22V$			5	%
$f_{DT}$	Frequency Variation vs. Temperature Deviation	$T_A=-40$ to $105^{\circ}C$			5	%

Continued on the following page...

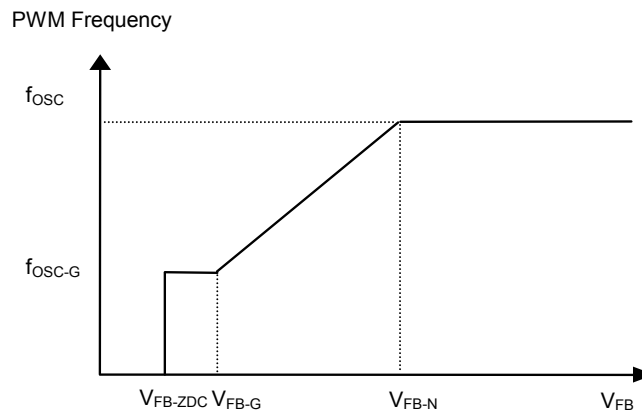


Figure 5.  $V_{FB}$  vs. PWM Frequency

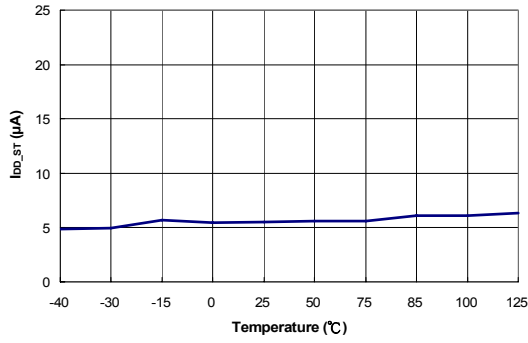
**Electrical Characteristics** (Continued)V<sub>DD</sub>=15V and T<sub>A</sub>=25°C unless otherwise noted.

Symbol	Parameter	Conditions	Min.	Typ.	Max.	Units
<b>Feedback Input Section</b>						
A <sub>V</sub>	Input Voltage to Current-Sense Attenuation		1/4.15	1/4.00	1/3.85	V/V
Z <sub>FB</sub>	Input Impedance		4		7	kΩ
V <sub>FB-OPEN</sub>	Output High Voltage	FB Pin Open		5.2		V
V <sub>FB-OLP</sub>	FB Open-Loop Trigger Level		4.6	4.8	5.0	V
t <sub>D-OLP</sub>	Delay Time of FB Pin Open-loop Protection		50	56	62	ms
V <sub>FB-N</sub>	Green-Mode Entry FB Voltage		3.1	3.3	3.5	V
V <sub>FB-G</sub>	Green-Mode Ending FB Voltage			V <sub>FB-N</sub> -0.5		V
V <sub>FB-ZDC</sub>	Zero Duty-Cycle Input Voltage			1.6		V
<b>Current-Sense Section</b>						
Z <sub>SENSE</sub>	Input Impedance			12		KΩ
V <sub>STHFL</sub>	Current Limit Flatten Threshold Voltage	Duty cycle=45%	0.97	1.00	1.03	V
V <sub>STHVA</sub>	Current Limit Valley Threshold Voltage	V <sub>STHFL</sub> -V <sub>STHVA</sub>	0.27	0.30	0.33	V
t <sub>PD</sub>	Delay to Output			100	200	ns
t <sub>LEB</sub>	Leading-Edge Blanking Time		100	140	180	ns
V <sub>S-SCP</sub>	Threshold Voltage for SENSE Short-Circuit Protection		0.10	0.15	0.20	V
t <sub>D-SSCP</sub>	Delay Time for SENSE Short-Circuit Protection	V <sub>SENSE</sub> <0.15V	100	150	200	μs
t <sub>SS</sub>	Period During Soft-Startup Time	Startup Time	5	6	7	ms
<b>GATE Section</b>						
DCY <sub>MAX</sub>	Maximum Duty Cycle		60	65	70	%
V <sub>GATE-L</sub>	Gate Low Voltage	V <sub>DD</sub> =15V, I <sub>O</sub> =50mA			1.5	V
V <sub>GATE-H</sub>	Gate High Voltage	V <sub>DD</sub> =12V, I <sub>O</sub> =50mA	8			V
t <sub>r</sub>	Gate Rising Time	V <sub>DD</sub> =15V, C <sub>L</sub> =1nF	150	250	350	ns
t <sub>f</sub>	Gate Falling Time	V <sub>DD</sub> =15V, C <sub>L</sub> =1nF	30	50	90	ns
I <sub>GATE-SOURCE</sub>	Gate Source Current	V <sub>DD</sub> =15V, GATE=6V	250			mA
I <sub>GATE-SINK</sub>	Gate Sink Current	V <sub>DD</sub> =15V, GATE=1V	300			mA
V <sub>GATE-CLAMP</sub>	Gate Output Clamping Voltage	V <sub>DD</sub> =22V			18	V
<b>RT Section</b>						
R <sub>RT</sub>	Internal Resistor from RT Pin		10.08	10.50	10.92	KΩ
V <sub>RTTH1</sub>	Over-Temperature Protection Threshold Voltage	0.7V < V <sub>RT</sub> < 1.05V, After 12ms Latch Off	1.015	1.050	1.085	V
V <sub>RTTH2</sub>		V <sub>RT</sub> < 0.7V, After 100μs Latch Off	0.65	0.70	0.75	V
t <sub>D-OTP1</sub>	Over-Temperature Latch-off Debounce	V <sub>RTTH2</sub> < V <sub>RT</sub> < V <sub>RTTH1</sub>	16	20	24	ms
t <sub>D-OTP2</sub>		V <sub>RT</sub> < V <sub>RTTH2</sub>	90	130	170	μs
<b>Over-Temperature Protection Section (OTP)</b>						
T <sub>OTP</sub>	Protection Junction Temperature <sup>(3)</sup>			+135		°C
T <sub>Restart</sub>	Restart Junction Temperature <sup>(4)</sup>			T <sub>OTP</sub> -25		°C

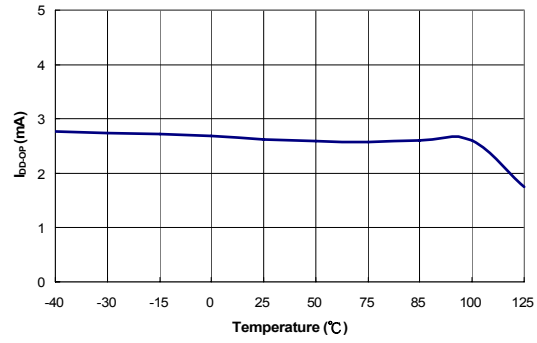
**Notes:**

- When activated, the output is disabled and the latch is turned off.
- The threshold temperature for enabling the output again and resetting the latch after OTP has been activated.

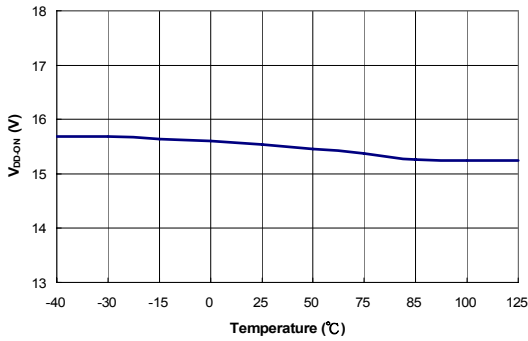
## Typical Performance Characteristics



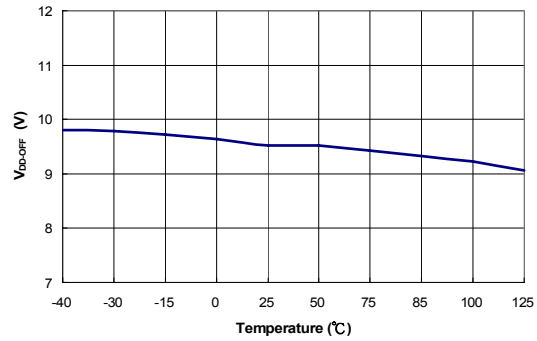
**Figure 6. Startup Current ( $I_{DD-ST}$ ) vs. Temperature**



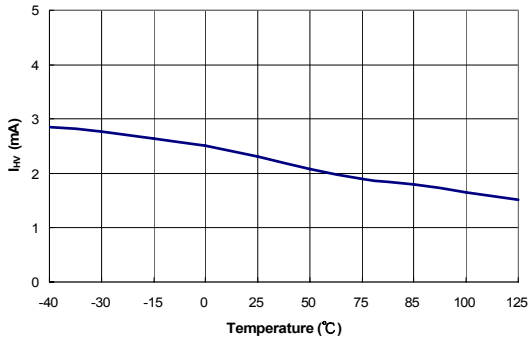
**Figure 7. Operation Supply Current ( $I_{DD-OP}$ ) vs. Temperature**



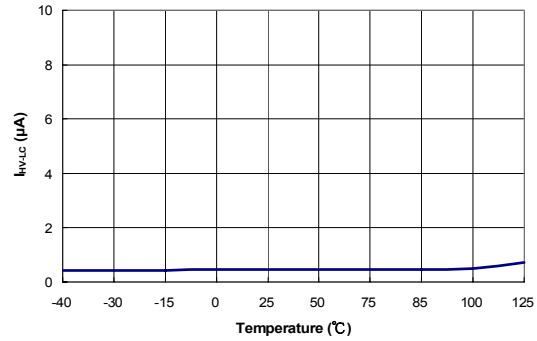
**Figure 8. Start Threshold Voltage ( $V_{DD-ON}$ ) vs. Temperature**



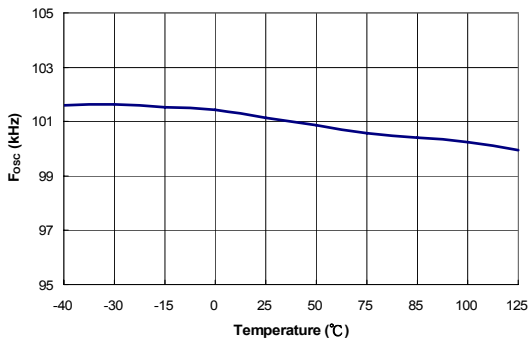
**Figure 9. Minimum Operating Voltage ( $V_{DD-OFF}$ ) vs. Temperature**



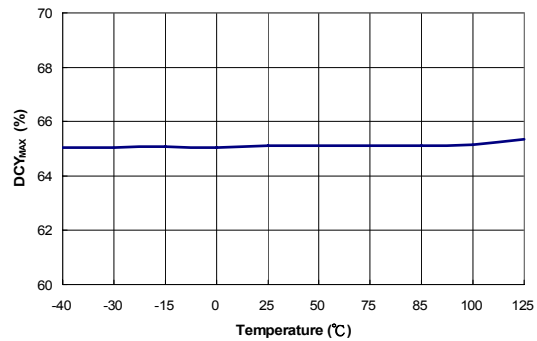
**Figure 10. Supply Current Drawn from HV Pin ( $I_{HV}$ ) vs. Temperature**



**Figure 11. HV Pin Leakage Current after Startup ( $I_{HV-LC}$ ) vs. Temperature**



**Figure 12. Frequency in Normal Mode ( $f_{osc}$ ) vs. Temperature**



**Figure 13. Maximum Duty Cycle ( $DCY_{MAX}$ ) vs. Temperature**

## Typical Performance Characteristics

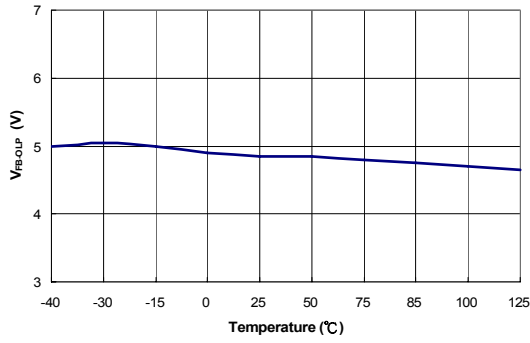


Figure 14. FB Open-Loop Trigger Level (V<sub>FB-OLP</sub>) vs. Temperature

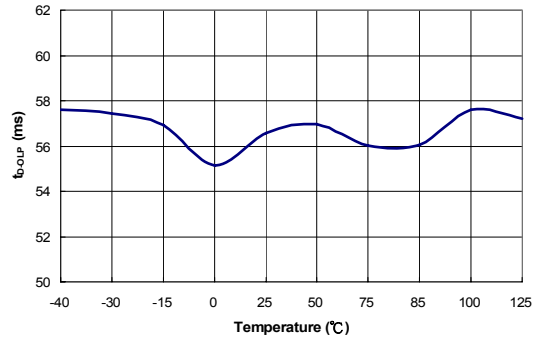


Figure 15. Delay Time of FB Pin Open-Loop Protection (t<sub>D-OLP</sub>) vs. Temperature

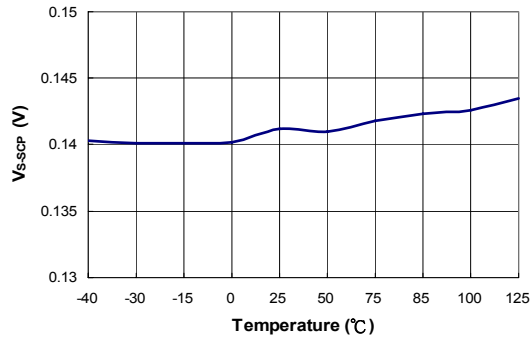


Figure 16. Threshold Voltage for SENSE Short-Circuit Protection (V<sub>S-SCP</sub>) vs. Temperature

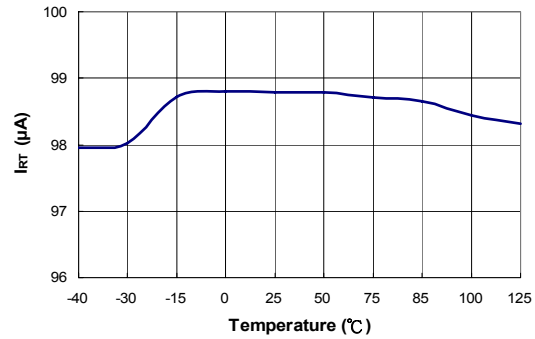


Figure 17. Output Current from RT Pin (I<sub>RT</sub>) vs. Temperature

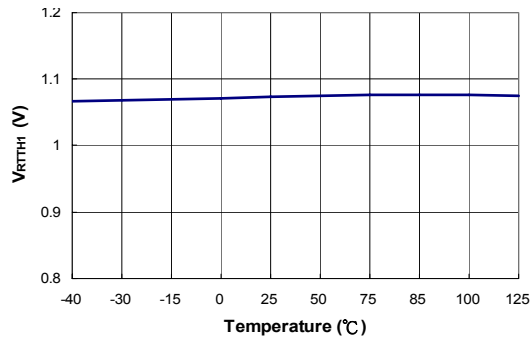


Figure 18. Over-Temperature Protection Threshold Voltage (V<sub>RTTH1</sub>) vs. Temperature

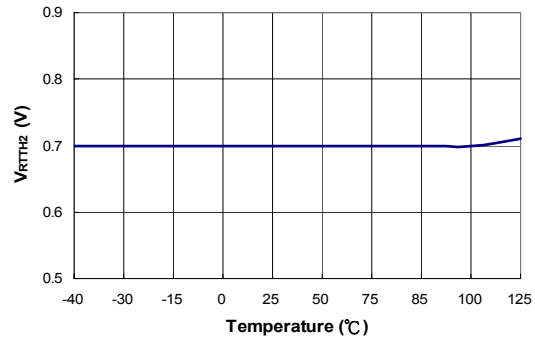


Figure 19. Over-Temperature Protection Threshold Voltage (V<sub>RTTH2</sub>) vs. Temperature

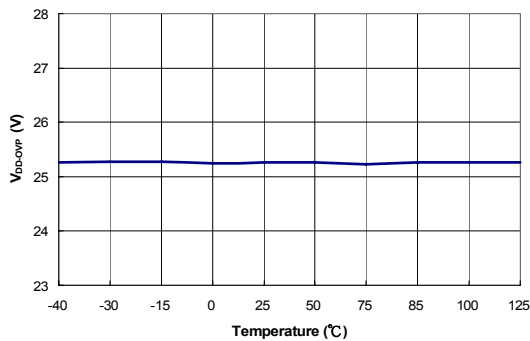


Figure 20. V<sub>DD</sub> Over-Voltage Protection (V<sub>DD-OVP</sub>) vs. Temperature



## Functional Description

### Startup Current

For startup, the HV pin is connected to the line input or bulk capacitor through an external diode and resistor,  $R_{HV}$ , (1N4007 / 100K $\Omega$  recommended). Typical startup current drawn from pin HV is 2.3mA and charges the hold-up capacitor through the diode and resistor. When the  $V_{DD}$  capacitor level reaches  $V_{DD-ON}$ , the startup current switches off. At this moment, the  $V_{DD}$  capacitor only supplies the SG6742HL/HR to keep the  $V_{DD}$  before the auxiliary winding of the main transformer to provide the operating current.

### Operating Current

Operating current is around 2.7mA. The low operating current enables better efficiency and reduces the requirement of  $V_{DD}$  hold-up capacitance.

### Green-Mode Operation

The proprietary green-mode function provides an off-time modulation to reduce the switching frequency in the light-load and no-load conditions. The on time is limited for better abnormal or brownout protection.  $V_{FB}$ , which is derived from the voltage feedback loop, is taken as the reference. Once  $V_{FB}$  is lower than the threshold voltage, switching frequency is continuously decreased to the minimum green-mode frequency of around 22KHz.

### Current Sensing / PWM Current Limiting

Peak-current-mode control is utilized to regulate output voltage and provide pulse-by-pulse current limiting. The switch current is detected by a sense resistor into the SENSE pin. The PWM duty cycle is determined by this current sense signal and  $V_{FB}$ , the feedback voltage. When the voltage on SENSE pin reaches around  $V_{COMP}=(V_{FB}-0.6)/4$ , a switch cycle is terminated immediately.  $V_{COMP}$  is internally clamped to a variable voltage around 0.85V for output power limit.

### Leading-Edge Blanking (LEB)

Each time the power MOSFET is switched on, a turn-on spike occurs on the sense-resistor. To avoid premature termination of the switching pulse, a leading-edge blanking time is built in. During this blanking period, the current-limit comparator is disabled and cannot switch off the gate driver.

### Under-Voltage Lockout (UVLO)

The turn-on and turn-off thresholds are fixed internally at 15.5V and 9.5V. During startup, the hold-up capacitor must be charged to 15.5V through the startup resistor to enable the IC. The hold-up capacitor continues to supply  $V_{DD}$  before the energy can be delivered from auxiliary winding of the main transformer.  $V_{DD}$  must not drop below 9.5V during this startup process. This UVLO hysteresis window ensures that hold-up capacitor is adequate to supply  $V_{DD}$  during startup.

### Gate Output / Soft Driving

The BiCMOS output stage is a fast totem-pole gate driver. Cross conduction has been avoided to minimize heat dissipation, increase efficiency, and enhance reliability. The output driver is clamped by an internal 18V Zener diode to protect power MOSFET transistors against undesirable gate over voltage. A soft driving waveform is implemented to minimize EMI.

### Soft-Start

For many applications, it is necessary to minimize the inrush current at startup. The built-in 6ms soft-start circuit significantly reduces the startup current spike and output voltage overshoot.

### Built-in Slope Compensation

The sensed voltage across the current-sense resistor is used for peak-current-mode control and pulse-by-pulse current limiting. Built-in slope compensation improves stability and prevents sub-harmonic oscillation. SG6742HL/HR inserts a synchronized positive-going ramp at every switching cycle.

### Constant Output Power Limit

When the SENSE voltage, across the sense resistor  $R_S$ , reaches the threshold voltage, around 1V, the output GATE drive is turned off after a small delay,  $t_{PD}$ . This delay introduces an additional current proportional to  $t_{PD} \cdot V_{IN} / L_P$ . Since the delay is nearly constant regardless of the input voltage  $V_{IN}$ , higher input voltage results in a larger additional current and the output power limit is higher than under low input line voltage. To compensate this variation for wide AC input range, a sawtooth power-limiter is designed to solve the unequal power-limit problem. The power limiter is designed as a positive ramp signal fed to the inverting input of the OCP comparator. This results in a lower current limit at high-line inputs than at low-line inputs.

### $V_{DD}$ Over-Voltage Protection (OVP)

$V_{DD}$  over-voltage protection has been built in to prevent damage due to abnormal conditions. If the  $V_{DD}$  voltage is over the over-voltage protection voltage ( $V_{DD-OVP}$ ) and lasts for  $t_{D-VDDOVP}$ , the PWM pulses are disabled until the  $V_{DD}$  voltage drops below the UVLO, then starts again. Over-voltage conditions are usually caused by open feedback loops.

## Functional Description (Continued)

### Thermal Protection

An NTC thermistor,  $R_{NTC}$ , in series with a resistor  $R_A$ , can be connected from the RT pin to ground. A constant current  $I_{RT}$  is output from the RT pin. The voltage on the RT pin can be expressed as  $V_{RT} = I_{RT} \cdot (R_{NTC} + R_A)$ , where  $I_{RT}$  is 100 $\mu$ A. At high ambient temperatures,  $R_{NTC}$  is smaller, such that  $V_{RT}$  decreases. When  $V_{RT}$  is less than 1.05V ( $V_{RTTH1}$ ), the PWM turns off after 20ms ( $t_{D-OTP1}$ ). If  $V_{RT}$  is less than 0.7V ( $V_{RTTH2}$ ), PWM turns off immediately after 130 $\mu$ s ( $t_{D-OTP2}$ ).

### Limited Power Control

The FB voltage increases every time the output of the power supply is shorted or overloaded. If the FB voltage remains higher than a built-in threshold for longer than  $t_{D-OLP}$ , PWM output is turned off. As PWM output is turned off,  $V_{DD}$  begins decreasing.

When  $V_{DD}$  goes below the turn-off threshold (~9.5V) the controller is totally shut down.  $V_{DD}$  is charged up to the turn-on threshold voltage of 15.5V through the startup resistor until PWM output is restarted. This protection feature continues as long as the overloading condition persists. This prevents the power supply from overheating due to overloading conditions. When  $V_{RT}$  is less than 1.05V ( $V_{RTTH1}$ ), the PWM is turned off after 20ms ( $t_{D-OTP1}$ ). If  $V_{RT}$  is less than 0.7V ( $V_{RTTH2}$ ), PWM is turned off immediately after 130 $\mu$ s ( $t_{D-OTP2}$ ).

### Noise Immunity

Noise on the current sense or control signal may cause significant pulse-width jitter, particularly in continuous-conduction mode. Slope compensation helps alleviate this problem. Good placement and layout practices should be followed. Avoiding long PCB traces and component leads, locating compensation and filter components near the SG6742HL/HR, and increasing the power MOS gate resistance improve performance.

Applications Information

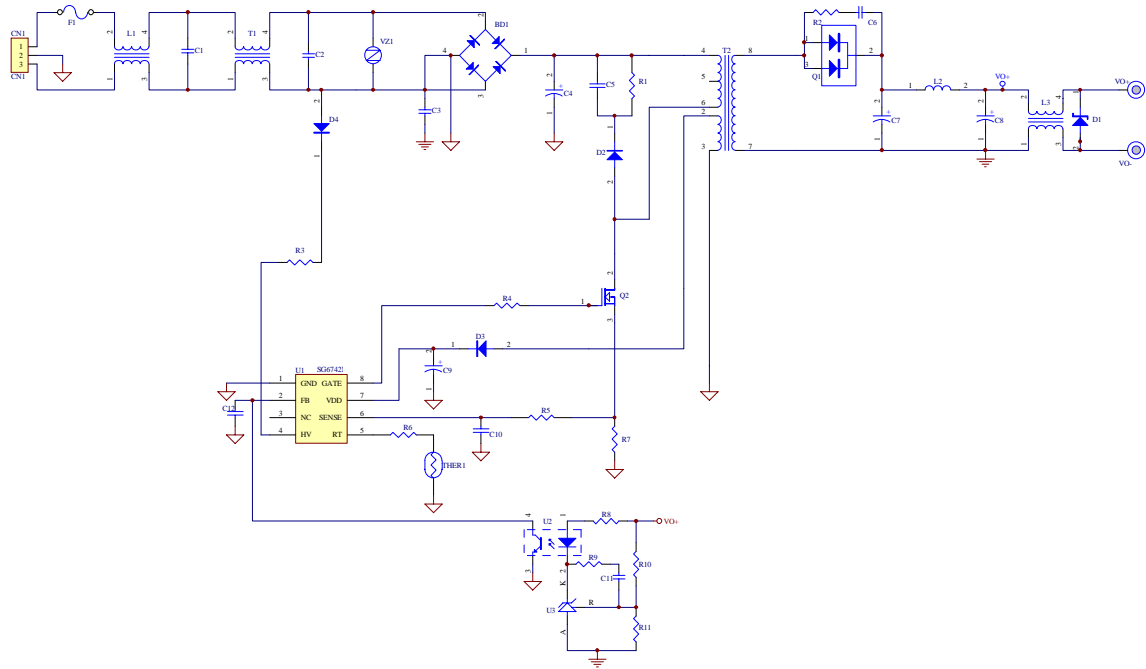
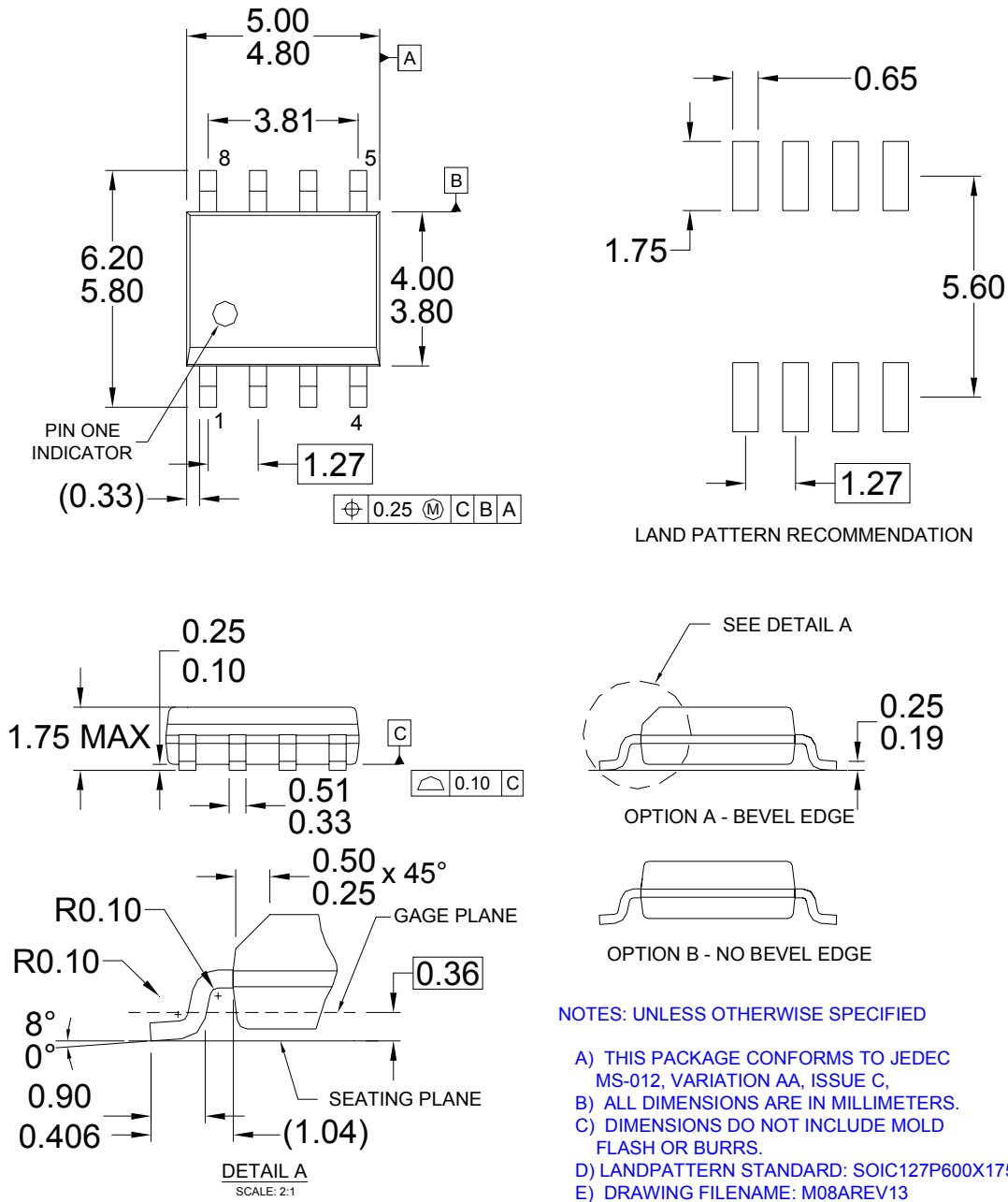


Figure 21. 60W Flyback 12V/5A Application Circuit

BOM

Designator	Part Type	Designator	Part Type
BD1	BD 4A/600V	L3	Inductor (900μH)
C1	XC 0.68μF/300V	Q1	STP20-100CT
C2	XC 0.1μF/300V	Q2	MOS 7A/600V
C3	YC 2200pF/Y1	R1	R 100KΩ 1/2W
C4	EC 120μF/400V	R2	R 47Ω 1/4W
C5	CC 0.01μF/500V	R3	R 100KΩ 1/2W
C6	CC 1000pF/100V	R4	R 4.7Ω 1/8W
C7	EC 1000μF/25V	R5	R 100Ω 1/8W
C8	EC 470μF/25V	R6, R9	R 4.7KΩ 1/8W
C9	EC 22μF/50V	R7	R 0.3Ω 2W
C10	CC 47pF/50V	R8	R 680Ω 1/8W
C11	CC 2200pF/50V	R10	R 150KΩ 1/8W
C12	CC 0.01μF/50V	R11	R 39KΩ 1/8W
D1	Zener Diode 15V 1/2W (option)	THER1	Thermistor TTC104
D2	BYV95C	T1	10mH
D3	FR103	T2	255μH(PQ2620)
D4	1N4007	U1	IC SG6742
F1	FUSE 4A/250V	U2	IC PC817
L1	Inductor (900μH)	U3	IC TL431
L2	Inductor (2μH)	VZ1	VZ 9G

### Physical Dimensions



**Figure 22. 8-Pin SOP-8 Package**

Package drawings are provided as a service to customers considering Fairchild components. Drawings may change in any manner without notice. Please note the revision and/or date on the drawing and contact a Fairchild Semiconductor representative to verify or obtain the most recent revision. Package specifications do not expand the terms of Fairchild's worldwide terms and conditions, specifically the warranty therein, which covers Fairchild products.

ON Semiconductor and  are trademarks of Semiconductor Components Industries, LLC dba ON Semiconductor or its subsidiaries in the United States and/or other countries. ON Semiconductor owns the rights to a number of patents, trademarks, copyrights, trade secrets, and other intellectual property. A listing of ON Semiconductor's product/patent coverage may be accessed at [www.onsemi.com/site/pdf/Patent-Marking.pdf](http://www.onsemi.com/site/pdf/Patent-Marking.pdf). ON Semiconductor reserves the right to make changes without further notice to any products herein. ON Semiconductor makes no warranty, representation or guarantee regarding the suitability of its products for any particular purpose, nor does ON Semiconductor assume any liability arising out of the application or use of any product or circuit, and specifically disclaims any and all liability, including without limitation special, consequential or incidental damages. Buyer is responsible for its products and applications using ON Semiconductor products, including compliance with all laws, regulations and safety requirements or standards, regardless of any support or applications information provided by ON Semiconductor. "Typical" parameters which may be provided in ON Semiconductor data sheets and/or specifications can and do vary in different applications and actual performance may vary over time. All operating parameters, including "Typicals" must be validated for each customer application by customer's technical experts. ON Semiconductor does not convey any license under its patent rights nor the rights of others. ON Semiconductor products are not designed, intended, or authorized for use as a critical component in life support systems or any FDA Class 3 medical devices or medical devices with a same or similar classification in a foreign jurisdiction or any devices intended for implantation in the human body. Should Buyer purchase or use ON Semiconductor products for any such unintended or unauthorized application, Buyer shall indemnify and hold ON Semiconductor and its officers, employees, subsidiaries, affiliates, and distributors harmless against all claims, costs, damages, and expenses, and reasonable attorney fees arising out of, directly or indirectly, any claim of personal injury or death associated with such unintended or unauthorized use, even if such claim alleges that ON Semiconductor was negligent regarding the design or manufacture of the part. ON Semiconductor is an Equal Opportunity/Affirmative Action Employer. This literature is subject to all applicable copyright laws and is not for resale in any manner.

## PUBLICATION ORDERING INFORMATION

### LITERATURE FULFILLMENT:

Email Requests to: [orderlit@onsemi.com](mailto:orderlit@onsemi.com)

ON Semiconductor Website: [www.onsemi.com](http://www.onsemi.com)

### TECHNICAL SUPPORT

North American Technical Support:  
Voice Mail: 1 800-282-9855 Toll Free USA/Canada  
Phone: 011 421 33 790 2910

### Europe, Middle East and Africa Technical Support:

Phone: 00421 33 790 2910

For additional information, please contact your local Sales Representative