



# Solid State Devices, Inc.

14701 Firestone Blvd \* La Mirada, Ca 90638  
Phone: (562) 404-7855 \* Fax: (562) 404-1773  
ssdi@ssdi-power.com \* www.ssdi-power.com

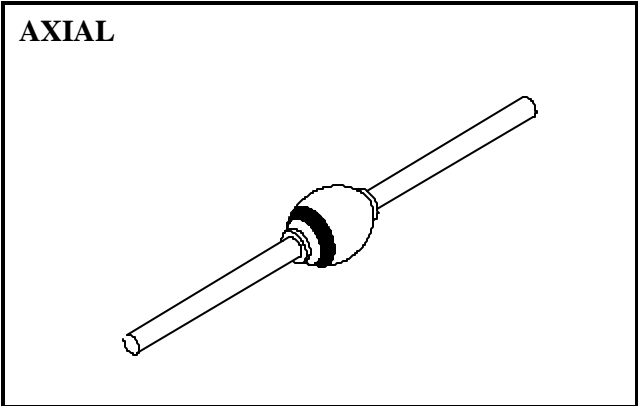
## SGB10UF and SGB35UF

### Designer's Data Sheet

#### FEATURES:

- Ultra Fast Recovery: 60nsec Maximum
- PIV to 3500 Volts
- Hermetically Sealed
- Void-Free Construction
- Metallurgically Bonded
- 175°C Maximum Operating Temperature
- Micro Miniature Package
- TX, TXV, and Space Level Screening Available

**60 mA**  
**1000 - 3500 VOLTS**  
**60 nsec**  
**HIGH VOLTAGE**  
**RECTIFIER**



### ELECTRICAL CHARACTERISTICS

Part Number	Peak Inverse Voltage	Average Rectifier Current		Maximum Reverse Current		Maximum Forward Voltage	Maximum Surge Current (1 Cycle)	Maximum Reverse Recovery Time	Maximum Junction Capacitance	Typical Thermal Impedance
		$I_0$	$I_{0100}$	$I_R$	$I_{R100}$					
Symbol	PIV	$I_0$		$I_R$ @ PIV		$V_F$ <sup>2/</sup>	$I_{FSM}$	$t_{RR}$ <sup>5/</sup>	$C_J$	$\theta_{JL}$
Units	Volts	mA		mA		Volts	Amps	nsec	pF	°C/W
Conditions		25°C	100°C	25°C	100°C	25°C	25°C	25°C	$V_R = 100V$ $f_T = 1MHZ$	$L = 1/4''$
SGB10UF	1000	60	45	0.1	10	9.5	5	60	1.0	185
SGB15UF	1500	60	45	0.1	10	9.5	5	60	1.0	185
SGB20UF	2000	60	45	0.1	10	9.5	5	60	1.0	185
SGB25UF	2500	60	45	0.1	10	9.5	5	60	1.0	185
SGB30UF	3000	60	45	0.1	10	9.5	5	60	1.0	185
SGB35UF	3500	60	45	0.1	10	9.5	5	60	1.0	185



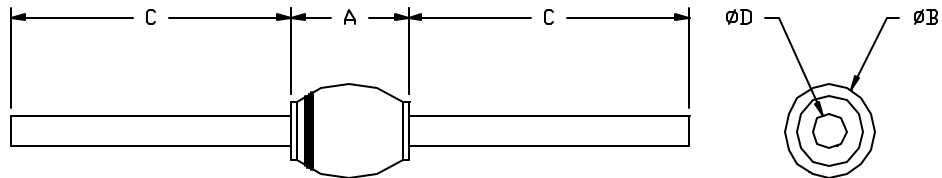
**Solid State Devices, Inc.**

14701 Firestone Blvd \* La Mirada, Ca 90638  
Phone: (562) 404-7855 \* Fax: (562) 404-1773  
ssdi@ssdi-power.com \* www.ssdi-power.com

**SGB10UF  
and  
SGB35UF**

**PACKAGE OUTLINE: AXIAL RECTIFIER**

DIMENSIONS		
DIM	MIN	MAX
A	--	.150"
B	--	.090"
C	1.00"	--
D	.022"	.028"



**NOTES:**

1. Operating and testing over 10,000 V/inch may require encapsulation or immersion in suitable dielectric material.
2.  $I_F = I_Q$ ; Maximum forward voltage measured with instantaneous forward pulse of 300msec minimum.
3. Maximum lead temperature for soldering is 250°C, 3/8" from case for 5 sec maximum.
4. Operating and Storage temperature: -65 to +175°C.
5. Reverse Recovery Test Conditions:  $I_F = 50\text{mA}$ ,  $I_R = 100\text{mA}$ ,  $I_{RR} = 25\text{mA}$ ,  $T_A = 25^\circ\text{C}$ .
6. Consult manufacturing for operating curves.

**NOTE:** All specifications are subject to change without notification. SCD's for these devices should be reviewed by SSDI prior to release.

**DATA SHEET #: RV0003E**

**DOC**